

GENERAL INFORMATION:

SHAFT RUNOUT: .001 [.03] T.I.R. PER INCH LENGTH OF EXTENSION

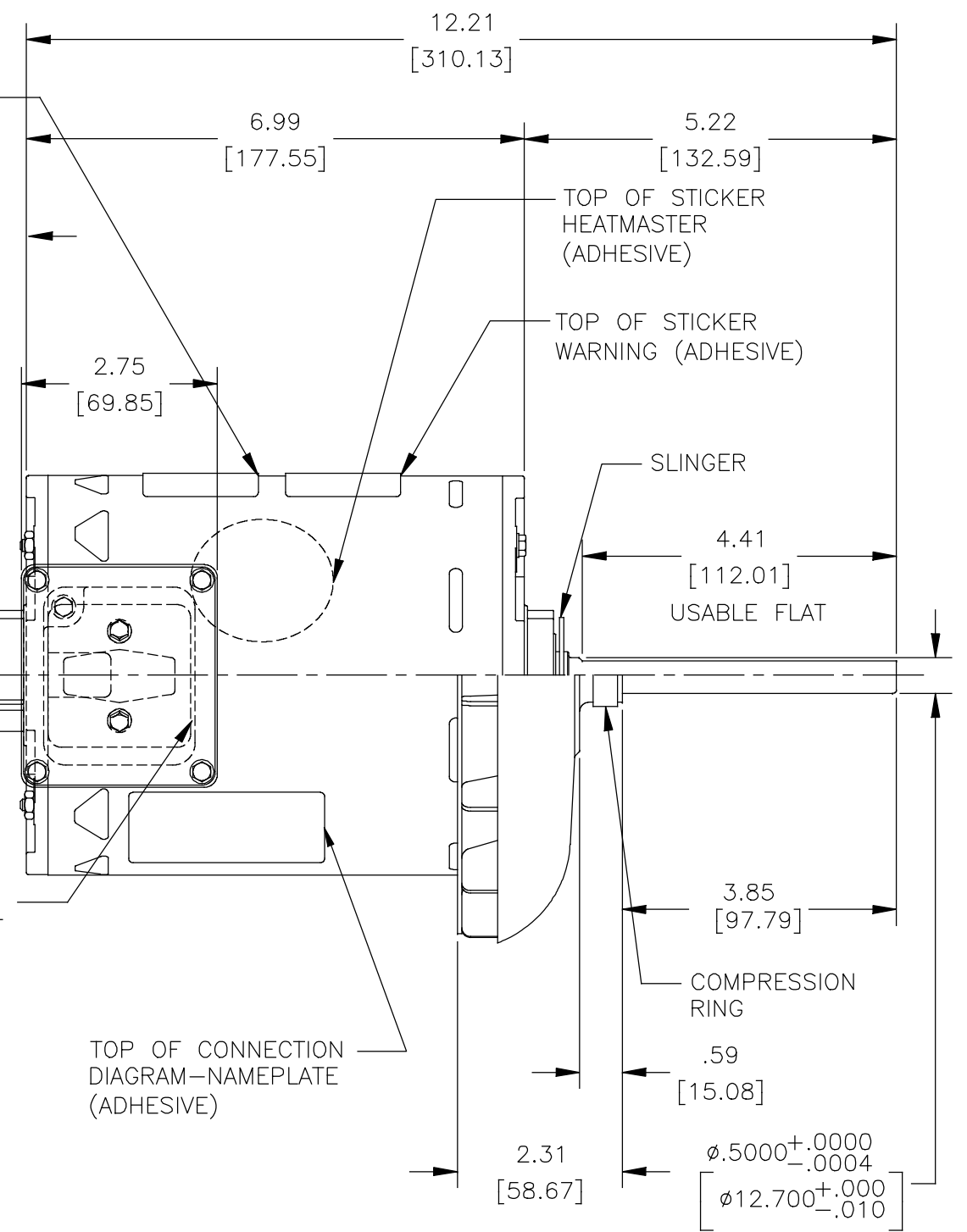
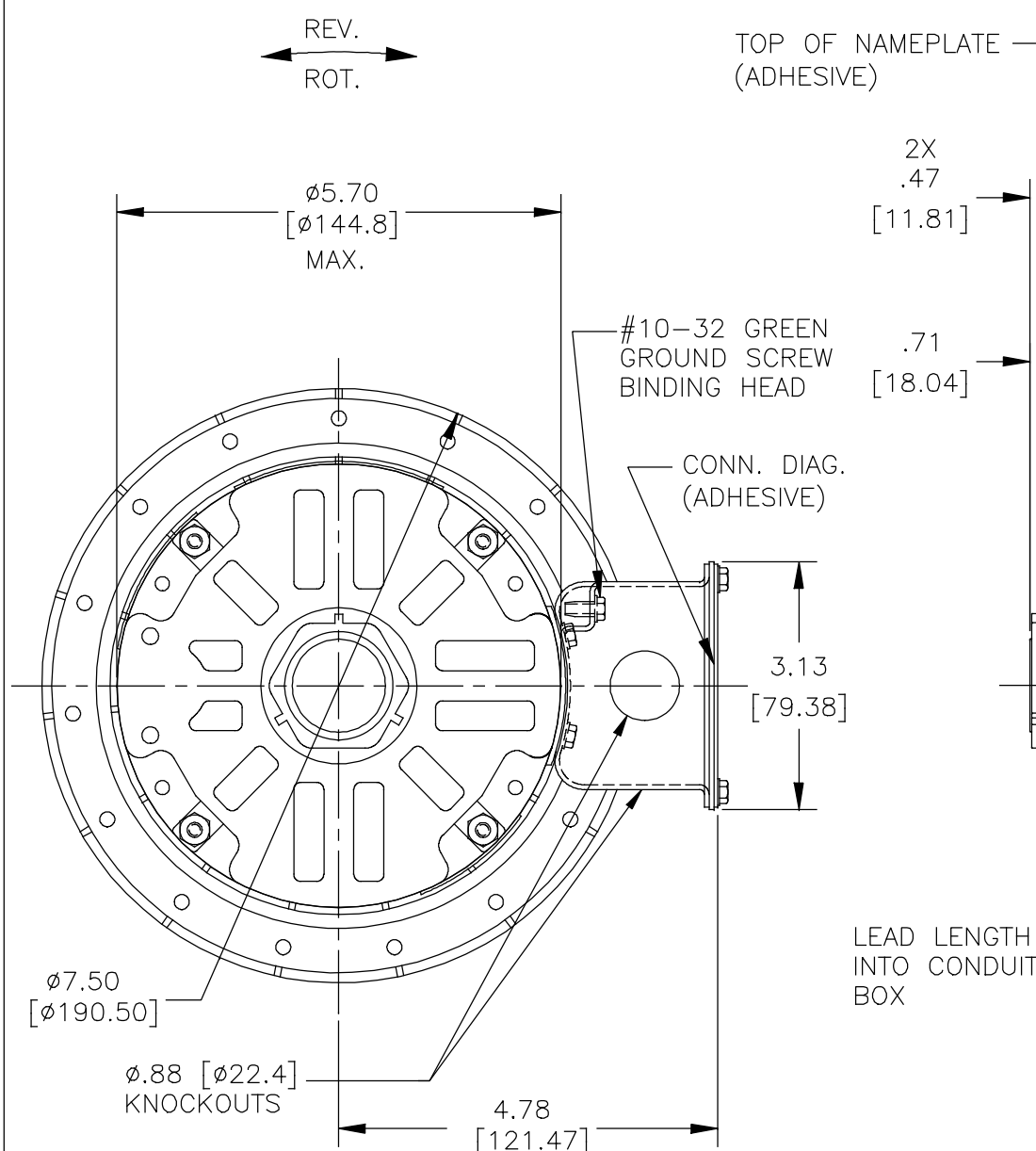
BEARINGS: BALL

MOUNTING POSITION: VERTICAL SHAFT UP

ELECTRICAL DATA:

OVERLOAD PROTECTOR: AUTOMATIC RESET (SPENCER MWJ73KR)

LEADS: NO. 18 GA., .03 [.8] THK. XLP 125°C INSUL.



NAMEPLATE DATA:		EXTERNAL CONNECTION DIAGRAM	
MODEL NO.:	P48A92A01	HIGH VOLTAGE	
CUST. P/N:	FC3056F	10 4 7 1	L1
HP:	1/2	11 5 8 2	L2
ROT.:	REVERSIBLE	12 6 9 3	L3
RPM:	1140	LOW VOLTAGE	
TYPE:	UAP	10 4 7 1	L1
FRAME:	48Y	11 5 8 2	L2
VOLTS:	200-230/460	12 6 9 3	L3
PH:	3	TO REVERSE, INTERCHANGE ANY 2 LINE LEADS	
AMPS:	3.0/1.5	614131-045	
HZ:	60		
INS.:	F		
AMB.:	70° C		
DUTY:	AIR OVER		
CAP.:	-		
ENCL:	OPEN		
CODE:	K		
UL LOGO			
CSA LOGO			
OTHER:	THERMALLY PROTECTED TYPE T		

COLOR	LENGTH	TERMINAL OR STRIP LENGTH
RED (1)	5.0/7.0 [127/178]	.50 [12.7] SKIN
RED (2)	5.0/7.0 [127/178]	.50 [12.7] SKIN
RED (3)	5.0/7.0 [127/178]	.50 [12.7] SKIN
YELLOW (4)	5.0/7.0 [127/178]	.50 [12.7] SKIN
YELLOW (5)	5.0/7.0 [127/178]	.50 [12.7] SKIN
YELLOW (6)	5.0/7.0 [127/178]	.50 [12.7] SKIN
BLUE (7)	5.0/7.0 [127/178]	.50 [12.7] SKIN
BLUE (8)	5.0/7.0 [127/178]	.50 [12.7] SKIN
BLUE (9)	5.0/7.0 [127/178]	.50 [12.7] SKIN
BLACK (10)	5.0/7.0 [127/178]	.50 [12.7] SKIN
BLACK (11)	5.0/7.0 [127/178]	.50 [12.7] SKIN
BLACK (12)	5.0/7.0 [127/178]	.50 [12.7] SKIN

REGAL-BELOIT CORPORATION (RBC) PROVIDES TECHNICAL ASSISTANCE TO OUR CUSTOMERS IN SEVERAL AREAS. SINCE RBC DOES NOT RECEIVE ALL DATA CONCERNING THE USE AND APPLICATION OF THE MOTOR, THE SUITABILITY OF THE MOTOR FOR THE APPLICATION MUST BE DETERMINED BY THE CUSTOMER.

DIMENSIONS WITHOUT TOLERANCES ARE FOR REFERENCE ONLY.

MAIN FRAME - OLE	OPEN
END FRAME - OLE	OPEN
MAIN FRAME - LE	OPEN
END FRAME - LE	OPEN

CUSTOMER	DISTRIBUTION SERVICE
----------	----------------------

DRAWING REVISION K	REVISION BY J. RUPERT	DATE 09-28-2018
ECO-0153817	APPROVED BY J. RUPERT	DATE 09-28-2018
ECO DESCRIPTION ADDED VENTS BACK ON LEAD END		

DRAWN BY: S. RECKERS	DATE: 09-06-2007	Regal Beloit America, Inc.
APPROVED BY: C. BRANHAM	DATE: 09-06-2007	
REFERENCE	MATERIAL	DESCRIPTION: MODEL-RFHP-48FR OUTLINE
THIRD ANGLE PROJECTION	SIZE DWG NO: C FC3056F	PROCESS/FINISH: -
		SHEET: 1

COPYRIGHT REGAL-BELOIT AMERICA, INC. ALL RIGHTS RESERVED. PROPRIETARY AND CONFIDENTIAL INFORMATION - THIS DOCUMENT IS THE PROPERTY OF REGAL-BELOIT AMERICA, INC. (OWNER) AND CONTAINS OWNER'S PROPRIETARY INFORMATION. ANY PERSON, CORPORATION OR OTHER FIRM RECEIVING IT IS DEEMED, BY RECEIVING IT, TO AGREE THAT IT, AND/OR ANY PART OF IT, SHALL NOT BE DISCLOSED TO ANY PERSON, CORPORATION OR OTHER ENTITY, DUPLICATED, AND/OR USED, EXCEPT AS EXPRESSLY APPROVED IN WRITING IN ADVANCE BY OWNER. THIS DOCUMENT SHALL BE RETURNED TO OWNER UPON REQUEST. IT MAY BE SUBJECT TO CERTAIN RESTRICTIONS UNDER APPLICABLE EXPORT CONTROL LAWS AND REGULATIONS.