

GENERAL INFORMATION:

SHAFT RUNOUT: .001[.03] T.I.R. PER INCH LENGTH OF EXTENSION.

BEARINGS: BALL

MOUNTING POSITION: ALL ANGLE

ELECTRICAL DATA:

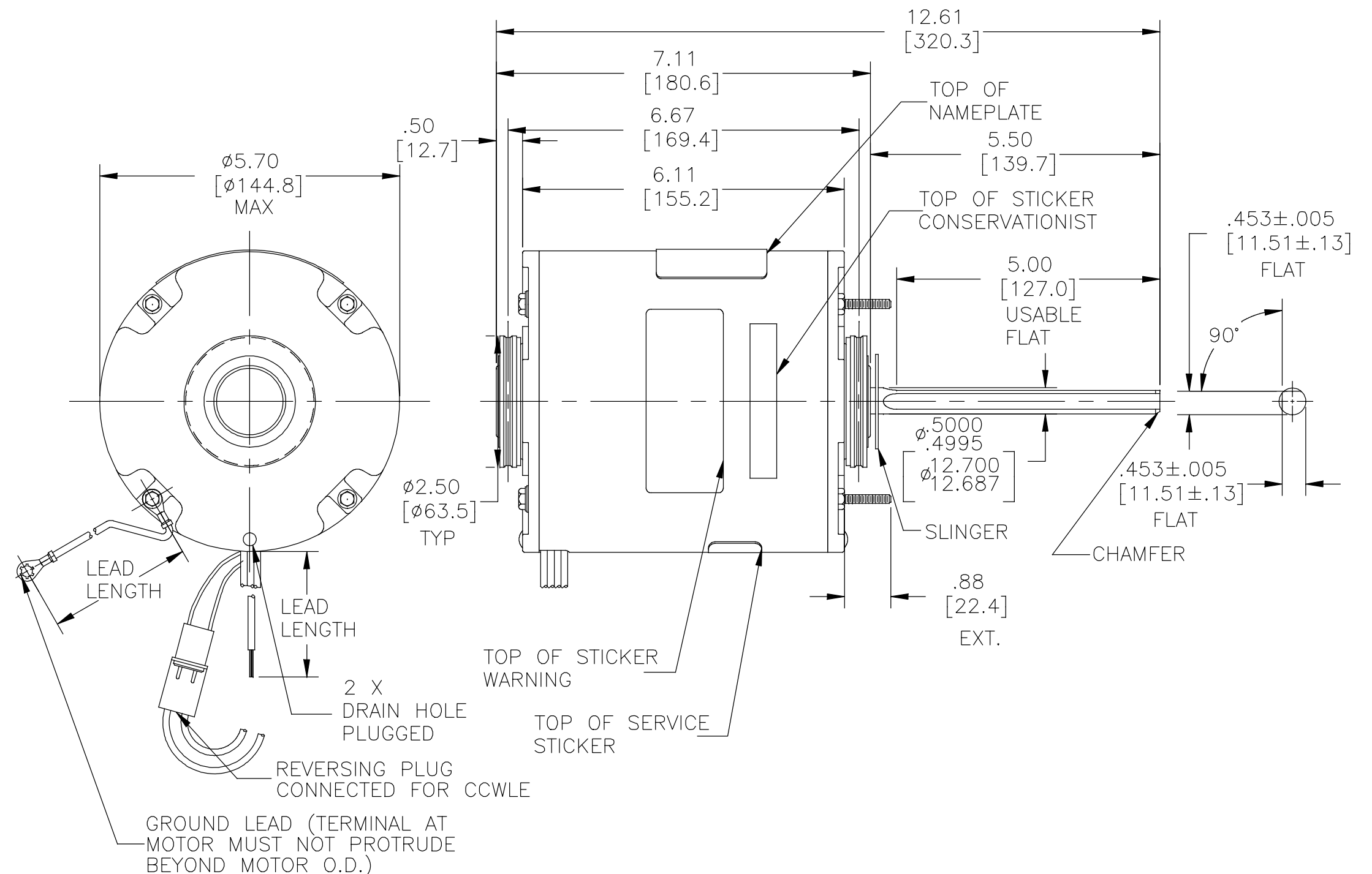
OVERLOAD PROTECTOR: AUTOMATIC RESET (T.I. 7AM 036)

LEADS: NO. 18 GA., .06[1.5] THK., 125°C INSUL.

GROUND LEAD: NO. 18 GA., .03[.8] THK., (GREEN) INSULATION.

NOTES:
1. DISTRIBUTION: CUST. P/N: FEH1076D
GRAINGER: CUST. P/N: 4MA48

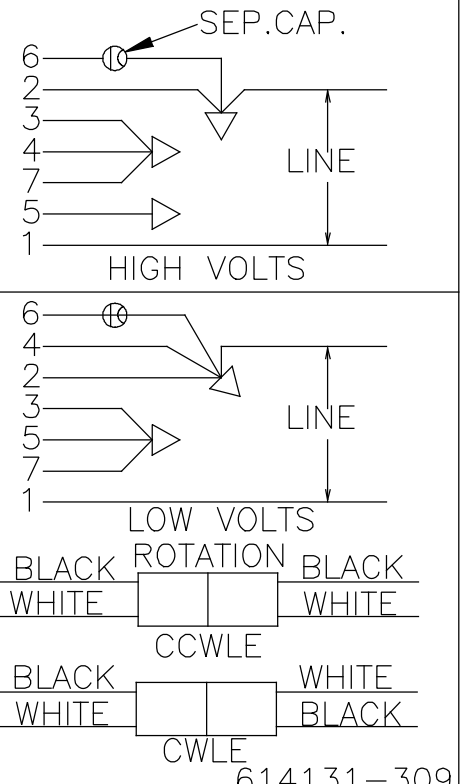
SEE NOTE 1



NAMEPLATE DATA:

MODEL NO.: F48U83A01
CUST. P/N: []
HP: 3/4
ROT: REVERSIBLE
RPM: 1075
TYPE: UF
FRAME: 48Y
VOLTS: 208-230/460
PH: 1
AMPS: 3.4/1.7
HZ: 60
INS: B
AMB: 60°C
DUTY: AIR OVER
CAP.: 10 MFD/370 V
ENCL: ENCLOSED
UL LOGO
CSA LOGO
THERMALLY PROTECTED

EXTERNAL CONNECTION DIAGRAM



GREEN (GRD)	12/13 [305/330]	#10 EYELET
BLACK/WHITE	3/5 [76/127]	REVERSING PLUG
RED (1)	5/7 [127/178]	.50 STRIP [12.7]
RED (2)	5/7 [127/178]	.50 STRIP [12.7]
RED (3)	5/7 [127/178]	.50 STRIP [12.7]
YELLOW (4)	5/7 [127/178]	.50 STRIP [12.7]
YELLOW (5)	5/7 [127/178]	.50 STRIP [12.7]
YELLOW (6)	5/7 [127/178]	.50 STRIP [12.7]
BLUE (7)	5/7 [127/178]	.50 STRIP [12.7]
COLOR	LENGTH	TERMINAL OR STRIP LENGTH
LEAD DATA		

REGAL-BELOIT CORPORATION (RBC) PROVIDES TECHNICAL ASSISTANCE TO OUR CUSTOMERS IN SEVERAL AREAS. SINCE RBC DOES NOT RECEIVE ALL DATA CONCERNING THE USE AND APPLICATION OF THE MOTOR, THE SUITABILITY OF THE MOTOR FOR THE APPLICATION MUST BE DETERMINED BY THE CUSTOMER.

DIMENSIONS WITHOUT TOLERANCES ARE FOR REFERENCE ONLY.

MAIN FRAME - OLE	CLOSED
END FRAME - OLE	CLOSED
MAIN FRAME - LE	CLOSED
END FRAME - LE	CLOSED

CUSTOMER	DISTRIBUTION SERVICE
----------	----------------------

PERFORMANCE CURVE NO.	TORQUE @1075 RPM (25°C)	APPROVED SAMPLE	UL COMPONENT	CSA
C24127	62.3 OZ. FT.		FILE # CCN # FILE # CLASS #	
			E46412 PRGY2 LR43341 260-φ-0	

DRAWING REVISION	REVISION BY	DATE
E	JERRY CHAI	12-04-2018
ECO	APPROVED BY	DATE
ECO-0157132	SARA HELTON	12-04-2018
ECO DESCRIPTION		
SEE ECO		

COPYRIGHT REGAL-BELOIT AMERICA, INC. ALL RIGHTS RESERVED. PROPRIETARY AND CONFIDENTIAL INFORMATION - THIS DOCUMENT IS THE PROPERTY OF REGAL-BELOIT AMERICA, INC. (OWNER) AND CONTAINS OWNER'S PROPRIETARY INFORMATION. ANY PERSON, CORPORATION OR OTHER FIRM RECEIVING IT IS DEEMED, BY RECEIVING IT, TO AGREE THAT IT, AND/OR ANY PART OF IT, SHALL NOT BE DISCLOSED TO ANY PERSON, CORPORATION OR OTHER ENTITY, DUPLICATED, AND/OR USED, EXCEPT AS EXPRESSLY APPROVED IN WRITING IN ADVANCE BY OWNER. THIS DOCUMENT SHALL BE RETURNED TO OWNER UPON REQUEST. IT MAY BE SUBJECT TO CERTAIN RESTRICTIONS UNDER APPLICABLE EXPORT CONTROL LAWS AND REGULATIONS.

DRAWN BY:
CADDIE.ZHOU
DATE:
06-07-2018
APPROVED BY:
SARA.HELTON
DATE:
06-07-2018
PROCESS/FINISH

REGAL™ Regal Beloit America, Inc.
DESCRIPTION
MODEL-RFHP-48FR
OUTLINE
MATERIAL

THIRD ANGLE PROJECTION
SIZE DWG NO
C 11748-107
SHEET 1