

4

3

2

1

REV	ECO	REV BY	DATE	APPD	DATE
D	0025548	I. ORTIZ	04-27-2012	D. BALDERRAMA	04-27-2012

**GENERAL INFORMATION:**

SHAFT RUNOUT: .001[.03] T.I.R. PER INCH LENGTH OF EXTENSION.

BEARINGS: BALL

MOUNTING POSITION: ALL ANGLE

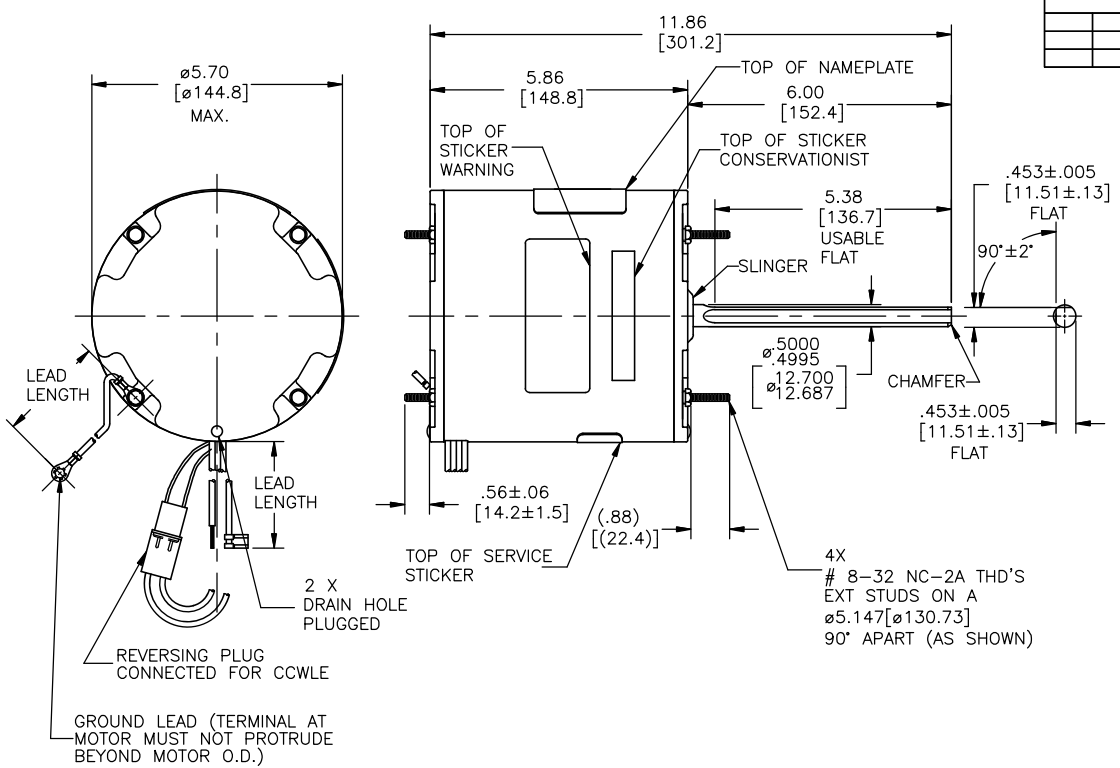
**ELECTRICAL DATA:**

OVERLOAD PROTECTOR: AUTOMATIC RESET (T.I. 7AM 036)

LEADS: NO. 18 GA., .03[.8] THK., PVC 105°C INSUL.

GROUND LEAD: NO. 18 GA., .03[.8] THK., (GREEN) INSUL.

NOTE:S  
 1. DISTRIBUTION: CUST. P/N: FE1076  
 GRAINGER: CUST. P/N: 4MB47



GREEN(GRD)	23/25 [584/635]	#10 EYELET
BROWN	26/28 [660/711]	.25 [6.4] FLAG
BROWN/WHT	26/28 [660/711]	.25 [6.4] FLAG
YELLOW	26/28 [660/711]	.50 [12.7] STRIP
BLACK	26/28 [660/711]	.50 [12.7] STRIP
RED	26/28 [660/711]	.50 [12.7] STRIP

COLOR	LENGTH	TERMINAL OR STRIP LENGTH

MAIN FRAME - OLE	CLOSED
END FRAME - OLE	CLOSED
MAIN FRAME - LE	CLOSED
END FRAME - LE	CLOSED

CUSTOMER	DISTRIBUTION SERVICE
----------	----------------------

NAMEPLATE DATA:

MODEL NO.: F48U75A01  
 CUST. P/N: [-----]  
 HP: 3/4  
 ROT: REVERSIBLE  
 RPM: 1075/2 SPD.  
 TYPE: UF  
 FRAME: 48Y  
 VOLTS: 208-230  
 PH: 1  
 AMPS: 3.8(4.7 MAX)  
 HZ: 60  
 INS: B  
 AMB: 60°C  
 DUTY: AIR OVER  
 CAP.: 12.5 MFD/370 V  
 UL LOGO  
 CSA LOGO

EXTERNAL CONNECTION DIAGRAM

SEP. CAP.

BROWN  
 BRN/WHT  
 YELLOW

BLACK HI LINE  
 RED LO

ROTATION

BLACK WHITE  
 WHITE BLACK

BLACK WHITE  
 WHITE BLACK

CCWLE  
 CWLE

614131-109

PERFORMANCE CURVE NO.	TORQUE @1075 RPM (25°C)	APPROVED SAMPLE	UL COMPONENT	CSA
C32231	80.4 OZ. FT.	0442768A	FILE # E46412 PRGY2	FILE # LR43341 CLASS # 260-0-0

GEOMETRIC CHARACTERISTICS & SYMBOLS

- ▮ FLATNESS
- STRAIGHTNESS
- ∠ ANGULARITY
- ⊥ PERPENDICULARITY (SQUARENESS)
- ∥ PARALLELISM
- ROUNDNESS (CIRCULARITY)
- ⊘ CYLINDRICITY
- △ PROFILE OF ANY SURFACE
- ▽ PROFILE OF ANY LINE
- ↑ RUNOUT
- ⊕ TRUE POSITION
- ⊙ CONCENTRICITY
- ≡ SYMMETRY

ASME Y14.5M 1994

REGAL-BELOIT CORPORATION (RBC) PROVIDES TECHNICAL ASSISTANCE TO OUR CUSTOMERS IN SEVERAL AREAS. SINCE RBC DOES NOT RECEIVE ALL DATA CONCERNING THE USE AND APPLICATION OF THE MOTOR, THE SUITABILITY OF THE MOTOR FOR THE APPLICATION MUST BE DETERMINED BY THE CUSTOMER.

DIMENSIONS WITHOUT TOLERANCES ARE FOR REFERENCE ONLY.

DR BY: KG  
 APPD: GP  
 THIRD ANGLE PROJECTION

06-18-2004  
 06-16-2004  
 EDS DATE 11-11-2011  
 FORMAT REV G

CONFIDENTIAL: THIS DRAWING AND ITS INFORMATION ARE THE EXCLUSIVE AND CONFIDENTIAL PROPERTY OF REGAL-BELOIT CORPORATION AND ARE NOT TO BE DISCLOSED, DUPLICATED, DISTRIBUTED OR OTHERWISE USED WITHOUT THE WRITTEN CONSENT OF REGAL-BELOIT CORPORATION. -ALL RIGHTS RESERVED.

**REGAL-BELOIT CORPORATION**

DESCRIPTION  
**MODEL-RFHP-48FR  
 OUTLINE**

SIZE C DWG NO 11748-106

SCALE NONE SHEET 1

4

3

2

1