

4 3 2 1

总技术要求:

轴跳动:

端部窜动量

轴承:

安装位置:

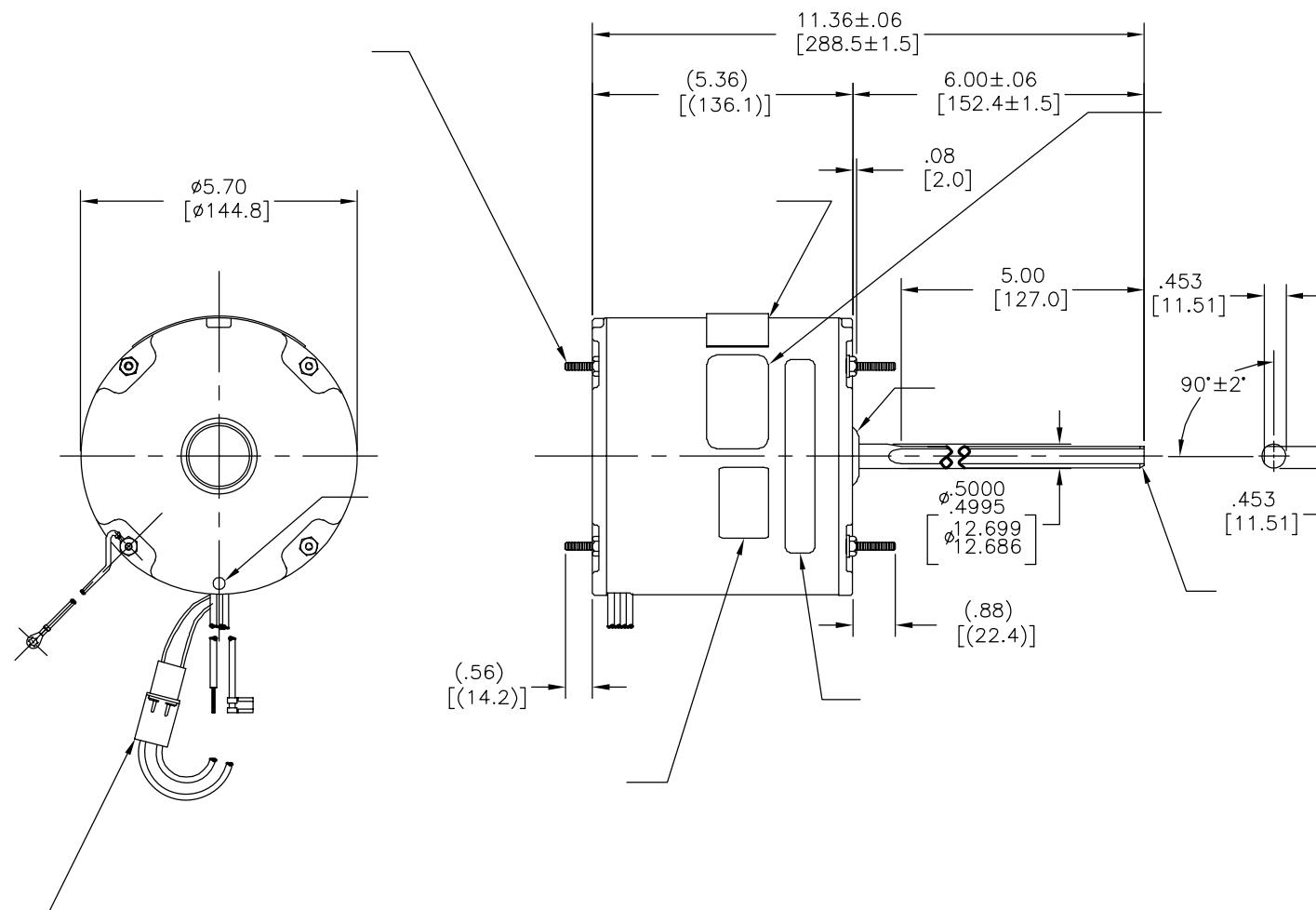
电气数据:

过载保护:

引线:

接地线:

版本	ECO	编制	日期	批准	日期
A	0031875	P.ROJAS	03-26-2013	S.JIMENEZ	03-26-2013



	12.0/13.0	
	[305/330]	
	26.0/28.0	
	[660/711]	
	26.0/28.0	
	[660/711]	
	26.0/28.0	.50[12.7]
	[660/711]	
	26.0/28.0	.50[12.7]
	[660/711]	
	26.0/28.0	.50[12.7]
	[660/711]	

颜色	长度	端子或剥线长度
----	----	---------

无引线端机壳	
无引线端端盖	
有引线端机壳	
有引线端端盖	

用户	DISTRIBUTION SERVICES
----	-----------------------

铭牌数据	外部数据线
MODEL NO.: F48SQ4L8 CUST. P/N: FSE1054 HP: 1/2-1/3 ROT.: REVERSIBLE RPM: 1625/2SPD TYPE: UF FRAME: 48Y VOLTS: 208-230 PH: 1 AMPS: 3.0(4.2MAX) HZ: 60 INS.: B AMB.: 60°C DUTY: AIR OVER CAP.: 5 MFD/370 VAC ENCL: - UL LOGO CSA LOGO THERMALLY PROTECTED	

性能曲线编号	转矩在 @ --- RPM (25° C)	批准样品	UL部件	CSA
C24085	30.5 OZ. FT.	EX12101	文件号 指南	文件号 指南
			E46412 PRGY2	LR43341 260-0-0

- 形位公差
- ⊥ 垂直度
- 直线度
- ∠ 倾斜度
- ⊥ 垂直度
- ∥ 平行度
- 圆度
- ⊙ 圆柱度
- ⊙ 圆锥度
- ⊙ 面轮廓度
- ⊙ 线轮廓度
- ⊙ 圆跳动
- ⊙ 位置度
- ⊙ 同轴度
- ⊙ 对称度

ASME Y14.5M 1994

REGAL-BELOIT CORPORATION (RBC) 在个别领域为客户提供技术支持。鉴于 RBC 未收到任何涉及电机使用和应用环境的数据，电机的适用性由客户自己决定。

未注公差尺寸仅供参考。

绘图:	P.ROJAS	03-27-2013
批准:	S.JIMENEZ	03-27-2013
第二角投影		图纸格式发布日期 11-11-2011 图纸格式版本 H
机密: 本图纸及相关信息所有权归REGAL-BELOIT CORPORATION。未经REGAL-BELOIT CORPORATION书面授权, 不得泄露、复制、传播或作其他用途。--版权所有		

REGAL REGAL-BELOIT CORPORATION	
名称	MOTOR OUTLINE
图号	FSE1054
比例	NONE
页号	1

4 3 2 1

4

3

2

1

GENERAL INFORMATION:

SHAFT RUNOUT: .001[.03] T.I.R. PER INCH LENGTH OF EXTENSION

END PLAY: .010[.25] TO .063[1.60]

BEARINGS: SLEEVE

MOUNTING POSITION: ALL ANGLE

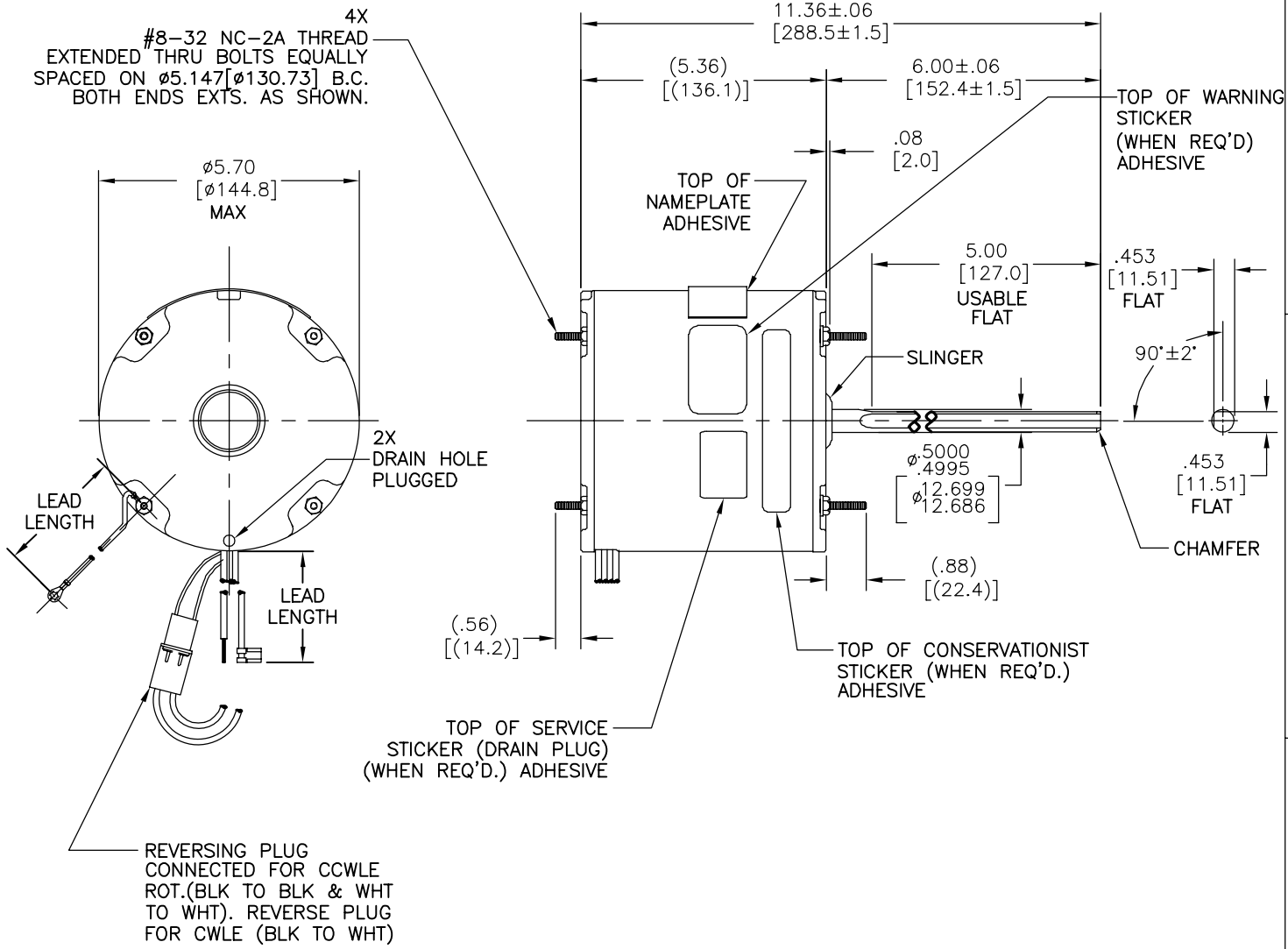
ELECTRICAL DATA:

OVERLOAD PROTECTOR: AUTOMATIC RESET (SENSATA 7AM 036)

LEADS: NO. 18 GA., .06[1.5] THICKNESS, 125°C INSULATION

GROUND LEAD: NO. 18 GA., .03[.8] THICKNESS, (GREEN) INSULATION

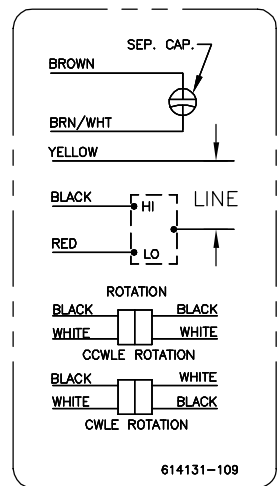
REV	ECO	REV BY	DATE	APPD	DATE
A	0031875	P.ROJAS	03-26-2013	S.JIMENEZ	03-26-2013



NAMEPLATE DATA:

EXTERNAL CONNECTION DIAGRAM

MODEL NO.: F48SQ4L8
 CUST. P/N: FSE1054
 HP: 1/2-1/3
 ROT.: REVERSIBLE
 RPM: 1625/2SPD
 TYPE: UF
 FRAME: 48Y
 VOLTS: 208-230
 PH: 1
 AMPS: 3.0(4.2MAX)
 HZ: 60
 INS.: B
 AMB.: 60°C
 DUTY: AIR OVER
 CAP.: 5 MFD/370 VAC
 ENCL: -
 UL LOGO
 CSA LOGO
 THERMALLY PROTECTED



GREEN (GROUND)	12.0/13.0 [305/330]	#10 INTERNAL SERRATED TOOTH
BROWN	26.0/28.0 [660/711]	FLAG
BROWN/WHITE	26.0/28.0 [660/711]	FLAG
YELLOW	26.0/28.0 [660/711]	.50[12.7] SKIN
BLACK	26.0/28.0 [660/711]	.50[12.7] SKIN
RED	26.0/28.0 [660/711]	.50[12.7] SKIN
COLOR	LENGTH	TERMINAL OR STRIP LENGTH

MAIN FRAME - OLE	CLOSED
END FRAME - OLE	CLOSED
MAIN FRAME - LE	CLOSED
END FRAME - LE	CLOSED

CUSTOMER	DISTRIBUTION SERVICES
----------	-----------------------

PERFORMANCE CURVE NO.	TORQUE @ 1075 RPM (25°C)	APPROVED SAMPLE	UL COMPONENT		CSA	
C24085	30.5 OZ. FT.	EX12101	FILE #	GUIDE #	FILE #	GUIDE #
			E46412	PRGY2	LR43341	260-Ø-0

GEOMETRIC CHARACTERISTICS & SYMBOLS
 ▽ FLATNESS
 - STRAIGHTNESS
 < ANGLARITY
 ⊥ PERPENDICULARITY (SQUARENESS)
 // PARALLELISM
 ○ ROUNDNESS (CIRCULARITY)
 ∅ CYLINDRICITY
 △ PROFILE OF ANY SURFACE
 ∩ PROFILE OF ANY LINE
 / RUNOUT
 ⊕ TRUE POSITION
 ⊙ CONCENTRICITY
 = SYMMETRY
 ASME Y14.5M 1994

REGAL-BELOIT CORPORATION (RBC) PROVIDES TECHNICAL ASSISTANCE TO OUR CUSTOMERS IN SEVERAL AREAS. SINCE RBC DOES NOT RECEIVE ALL DATA CONCERNING THE USE AND APPLICATION OF THE MOTOR, THE SUITABILITY OF THE MOTOR FOR THE APPLICATION MUST BE DETERMINED BY THE CUSTOMER.
 DIMENSIONS WITHOUT TOLERANCES ARE FOR REFERENCE ONLY.

DR BY: P.ROJAS 03-27-2013
 APPD: S.JIMENEZ 03-27-2013
 THIRD ANGLE PROJECTION
 EDS DATE 11-11-2011
 FORMAT REV H
 CONFIDENTIAL: THIS DRAWING AND ITS INFORMATION ARE THE EXCLUSIVE AND CONFIDENTIAL PROPERTY OF REGAL-BELOIT CORPORATION AND ARE NOT TO BE DISCLOSED, DUPLICATED, DISTRIBUTED OR OTHERWISE USED WITHOUT THE WRITTEN CONSENT OF REGAL-BELOIT CORPORATION. -ALL RIGHTS RESERVED.

REGAL REGAL-BELOIT CORPORATION
 DESCRIPTION: MOTOR OUTLINE
 SIZE: C DWG NO: FSE1054
 SCALE: NONE SHEET: 1

4

3

2

1

4 3 2 1

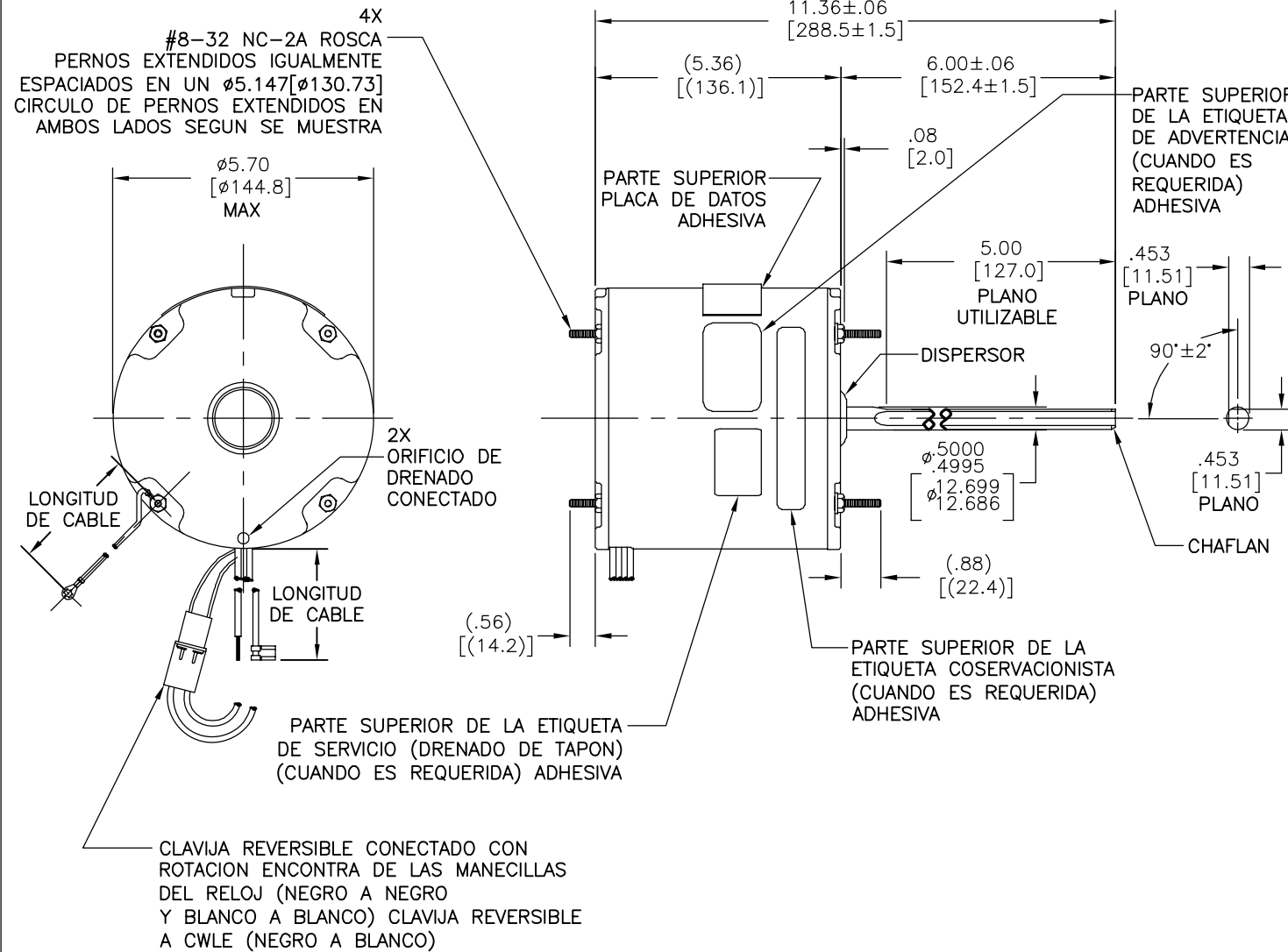
REVISION:	ECO	REVISADO POR:	FECHA:	APROBADO POR:	FECHA:
A	0031875	P.ROJAS	03-26-2013	S.JIMENEZ	03-26-2013

INFORMACION GENERAL:

OSCILACION DE FLECHA: .001[.03]L.T.I. POR PULGADA DE LARGO DE EXTENSION
 JUEGO AXIAL: .010[.25] A .063[1.60]
 BALEROS: MANGA
 POSICION DEL MONTAJE: TODOS LOS ANGULOS

INFORMACION ELECTRICA:

PROTECTOR DE SOBRECARGA: REINICIO AUTOMATICO (SENSATA 7AM 036)
 CABLES: CALIBRE #18, .06[1.5] ESPESOR, 125°C AISLANTE
 CABLE DE TIERRA: CALIBRE #18, .03[.8] ESPESOR (VERDE) AISLANTE



VERDE (TIERRA)	12.0/13.0 [305/330]	DIENTE INTERNO DENTADO #10
CAFE	26.0/28.0 [660/711]	BANDERA
CAFE/BLANCO	26.0/28.0 [660/711]	BANDERA
AMARILLO	26.0/28.0 [660/711]	.50[12.7] DESFORRE
NEGRO	26.0/28.0 [660/711]	.50[12.7] DESFORRE
ROJO	26.0/28.0 [660/711]	.50[12.7] DESFORRE
COLOR	LONGITUD	TERMINAL O LONGITUD DE DESFORRE

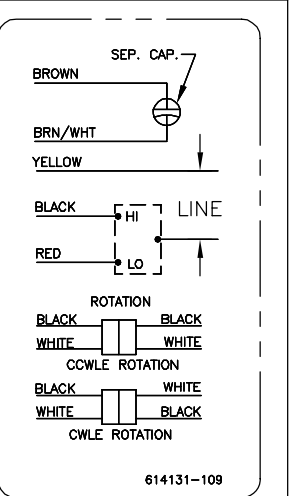
CARCASA - LOC	CERRADO
TAPA - LOC	CERRADO
CARCASA - LC	CERRADO
TAPA - LC	CERRADO

CLIENTE	DISTRIBUTION SERVICES
---------	-----------------------

INFORMACION DE ETIQUETA:

MODEL NO.: F48SQ4L8
 CUST. P/N: FSE1054
 HP: 1/2-1/3
 ROT.: REVERSIBLE
 RPM: 1625/2SPD
 TYPE: UF
 FRAME: 48Y
 VOLTS: 208-230
 PH: 1
 AMPS: 3.0(4.2MAX)
 HZ: 60
 INS.: B
 AMB.: 60°C
 DUTY: AIR OVER
 CAP.: 5 MFD/370 VAC
 ENCL: -
 UL LOGO
 CSA LOGO
 THERMALLY PROTECTED

DIAGRAMA DE CONEXION EXTERNA



CURVAS DE FUNCIONAMIENTO	TORSION @ 1075 RPM (25°C)	MUESTRA APROBADA	COMPONENTE UL	CSA
C24085	30.5 OZ. FT.	EX12101	#ARCHIVO PRGY2	LR43341 260-Ø-0

CARACTERISTICAS DE GEOMETRIA Y SIMBOLOS
 ✓ PLANICIDAD
 - RECTITUD
 ∠ ANGULARIDAD
 ⊥ PERPENDICULARIDAD (A ESCUADRA)
 // PARALELISMO
 ○ REDONDEZ (CIRCULARIDAD)
 ∅ CILINDRICIDAD
 △ PERFIL DE CUALQUIER SUPERFICIE
 ∩ PERFIL DE CUALQUIER LINEA
 / VARIACION
 ⊕ POSICION REAL
 ⊙ CONCENTRICIDAD
 = SIMETRIA

REGAL-BELOIT CORPORATION (RBC) PROVEE ASISTENCIA TECNICA A NUESTROS CLIENTES EN VARIAS AREAS. DESDE QUE RBC NO RECIBE TODOS LOS DATOS EN RELACION AL USO Y A LA APLICACION DEL MOTOR, LA APLICACION ADECUADA DEL MOTOR DEBE SER DETERMINADA POR EL CLIENTE.

DIMENSIONES SIN TOLERANCIA SON DE REFERENCIA SOLAMENTE

ASME Y14.5M 1994

4 3 2 1