

4

3

2

1

REV	ECO	REV BY	DATE	APPD	DATE
A	0024033	B.ZHAO	01-19-2012	B.SHEN	01-19-2012

GENERAL INFORMATION:

SHAFT RUNOUT: .001[.03] T.I.R. PER INCH LENGTH OF EXTENSION.

END PLAY: .010[.03] TO .063[1.60]

BEARINGS: SLEEVE

MOUNTING POSITION: ALL ANGLE

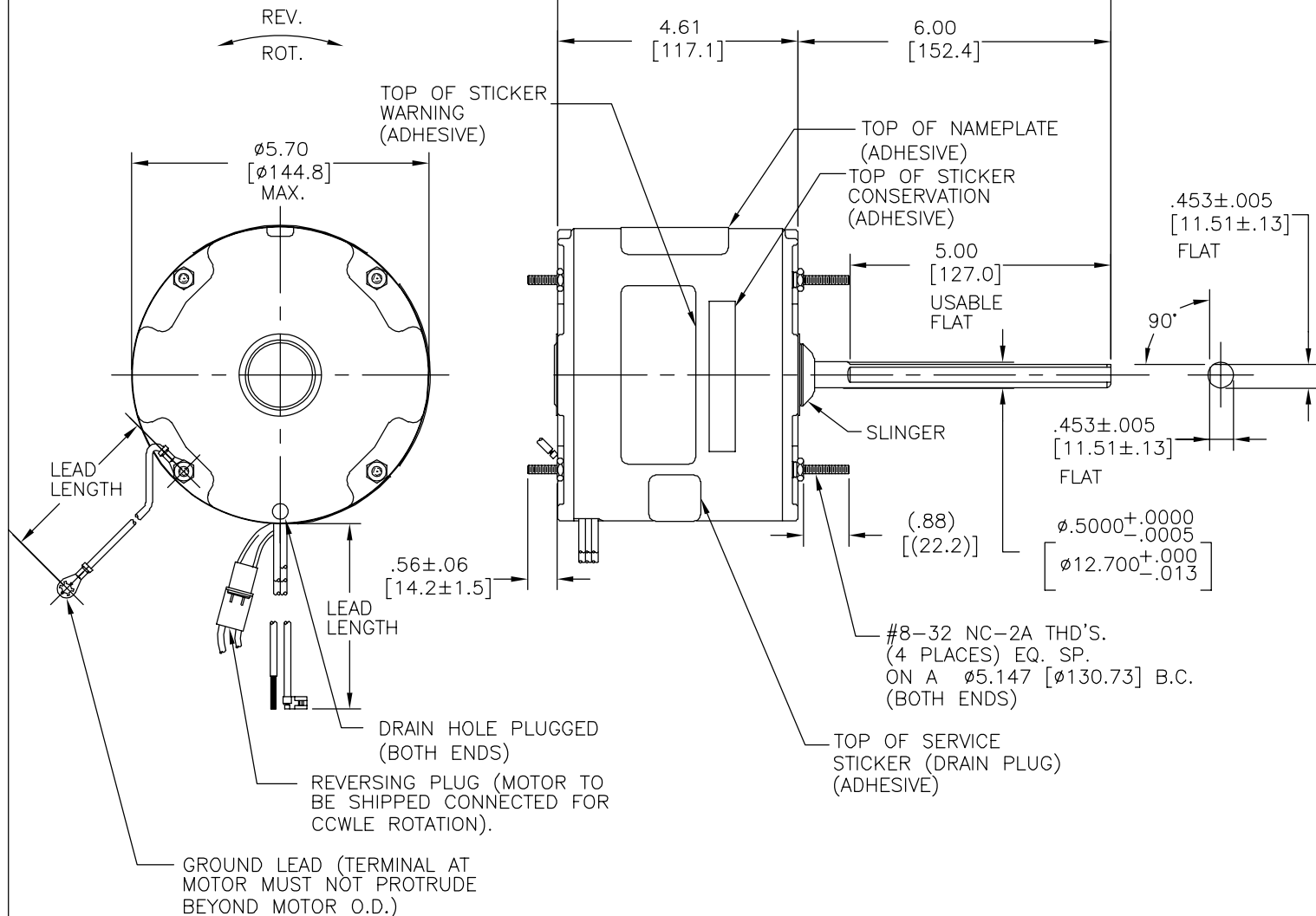
ELECTRICAL DATA:

OVERLOAD PROTECTOR: AUTOMATIC RESET (T.I. 7AM 036)

LEADS: NO. 18 GA., .06[1.5] THK., 125°C INSUL.

REVERSING LEADS: NO. 18 GA., .03[.8] THK., 125°C INSUL.

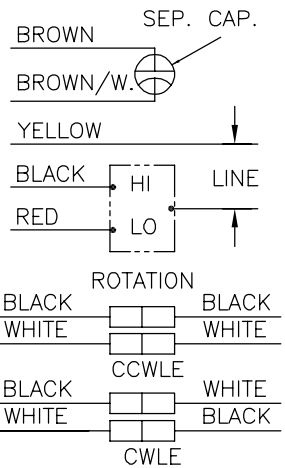
GROUND LEAD: NO. 18 GA., .03[.8] THK., (GREEN) INSUL.



NAMEPLATE DATA:

EXTERNAL CONNECTION DIAGRAM

MODEL NO.: F48SJ4L8  
 CUST. P/N: FSE1024  
 HP: 1/4-1/6  
 ROT.: REVERSIBLE  
 RPM: 1625/2 SPD  
 TYPE: UF  
 FRAME: 48Y  
 VOLTS: 208-230  
 PH: 1  
 AMPS: 1.7/1.0 (2.5 MAX)  
 HZ: 60  
 INS.: B  
 AMB.: 60° C  
 DUTY: AIR OVER  
 CAP.: 5 MFD/370 V  
 ENCL: ENCLOSED  
 UL LOGO  
 CSA LOGO  
 THERMALLY PROTECTED



GREEN(GRD)	12.0/13.0 [305/330]	#10 EYELET
BROWN/WHITE	26.0/28.0 [660/711]	.25[6.4] FLAG
BROWN	26.0/28.0 [660/711]	.25[6.4] FLAG
YELLOW	26.0/28.0 [660/711]	.60[15.2] SKIN
BLACK	26.0/28.0 [660/711]	.60[15.2] SKIN
RED	26.0/28.0 [660/711]	.60[15.2] SKIN
COLOR	LENGTH	TERMINAL OR STRIP LENGTH

MAIN FRAME - OLE	ENCLOSED
END FRAME - OLE	ENCLOSED
MAIN FRAME - LE	ENCLOSED
END FRAME - LE	ENCLOSED

CUSTOMER	DISTRIBUTION SERVICES
----------	-----------------------

PERFORMANCE CURVE NO.	TORQUE @ 1625 RPM (25°C)	APPROVED SAMPLE	UL COMPONENT FILE #	CCN #	CSA FILE #	CLASS #
C24092	18.0 OZ. FT.	EX12101	E46412	PRGY2	LR43341	4211-01

GEOMETRIC CHARACTERISTICS & SYMBOLS

- ▮ FLATNESS
- STRAIGHTNESS
- ∠ ANGULARITY
- ⊥ PERPENDICULARITY (SQUARENESS)
- ∥ PARALLELISM
- ROUNDNESS (CIRCULARITY)
- ⊘ CYLINDRICITY
- △ PROFILE OF ANY SURFACE
- ∧ PROFILE OF ANY LINE
- ↗ RUNOUT
- ⊕ TRUE POSITION
- ◎ CONCENTRICITY
- ≡ SYMMETRY

ASME Y14.5M 1994

REGAL-BELOIT CORPORATION (RBC) PROVIDES TECHNICAL ASSISTANCE TO OUR CUSTOMERS IN SEVERAL AREAS. SINCE RBC DOES NOT RECEIVE ALL DATA CONCERNING THE USE AND APPLICATION OF THE MOTOR, THE SUITABILITY OF THE MOTOR FOR THE APPLICATION MUST BE DETERMINED BY THE CUSTOMER.

DIMENSIONS WITHOUT TOLERANCES ARE FOR REFERENCE ONLY.

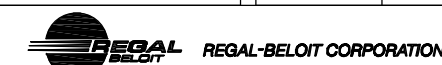
DR BY: B.ZHAO 01-19-2012

APPD: B.SHEN 01-19-2012

THIRD ANGLE PROJECTION

EDS DATE 11-11-2011  
 FORMAT REV G

CONFIDENTIAL: THIS DRAWING AND ITS INFORMATION ARE THE EXCLUSIVE AND CONFIDENTIAL PROPERTY OF REGAL-BELOIT CORPORATION AND ARE NOT TO BE DISCLOSED, DUPLICATED, DISTRIBUTED OR OTHERWISE USED WITHOUT THE WRITTEN CONSENT OF REGAL-BELOIT CORPORATION. -ALL RIGHTS RESERVED.



DESCRIPTION: MODEL-RFHP-48FR OUTLINE

SIZE: C DWG NO: FSE1024

SCALE: NONE SHEET: 1

4

3

2

1

4

3

2

1

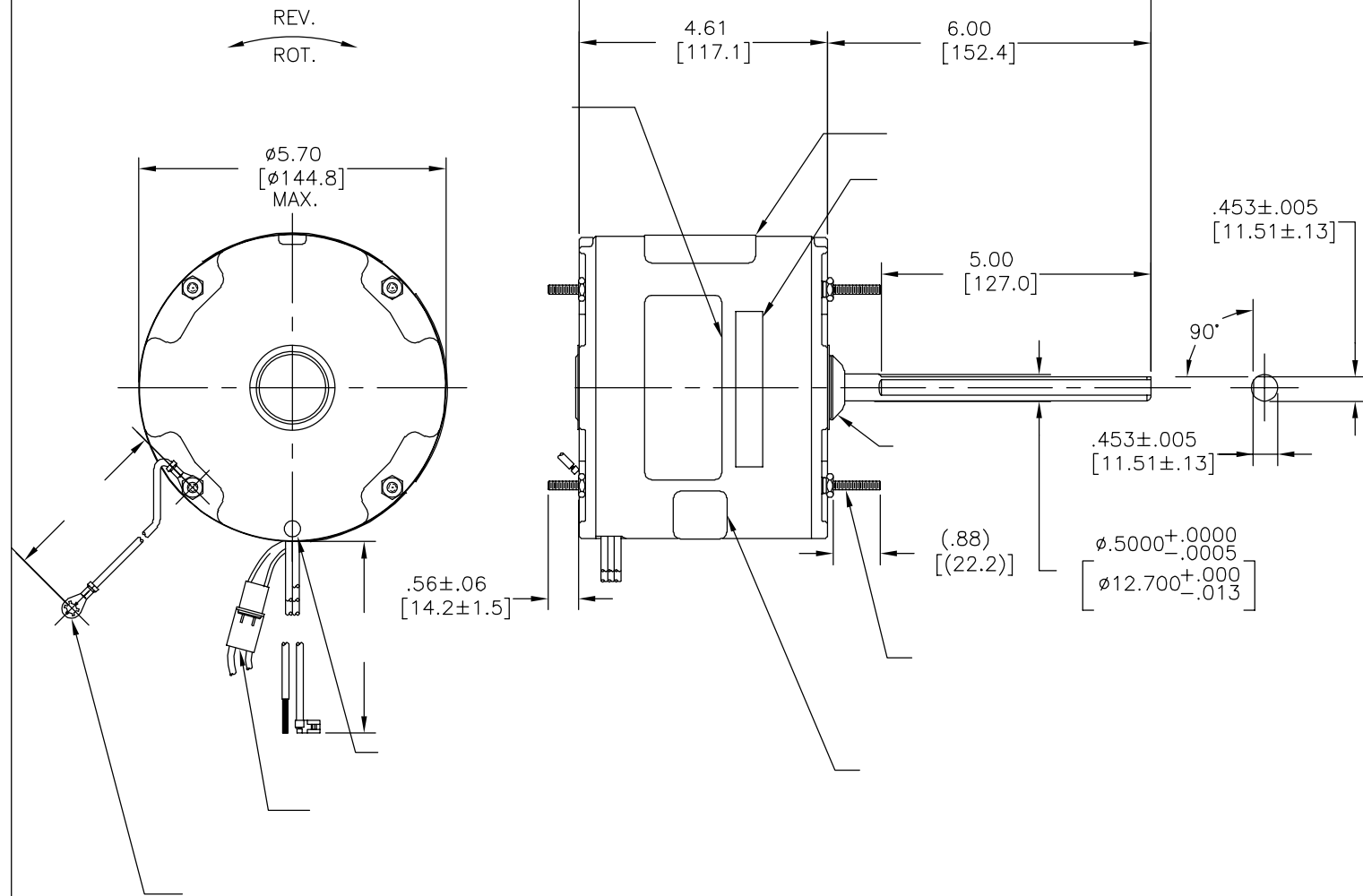
REVISION:	ECO	REVISADO POR:	FECHA:	APROBADO POR:	FECHA:
A	0024033	B.ZHAO	01-19-2012	B.SHEN	01-19-2012

INFORMACION GENERAL:

OSCILACION DE FLECHA: -  
 JUEGO AXIAL: -  
 BALEROS: -  
 POSICION DEL MONTAJE: -

INFORMACION ELECTRICA:

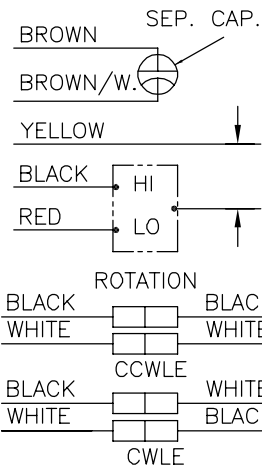
PROTECTOR DE SOBRECARGA: -  
 CABLES: -  
 CABLE DE TIERRA: -



INFORMACION DE ETIQUETA:

DIAGRAMA DE CONEXION EXTRNA

MODEL NO.: F48SJ4L8  
 CUST. P/N: FSE1024  
 HP: 1/4-1/6  
 ROT.: REVERSIBLE  
 RPM: 1625/2 SPD  
 TYPE: UF  
 FRAME: 48Y  
 VOLTS: 208-230  
 PH: 1  
 AMPS: 1.7/1.0 (2.5 MAX)  
 HZ: 60  
 INS.: B  
 AMB.: 60° C  
 DUTY: AIR OVER  
 CAP.: 5 MFD/370 V  
 ENCL: ENCLOSED  
 UL LOGO  
 CSA LOGO  
 THERMALLY PROTECTED



614131-109

	12.0/13.0	
	[305/330]	
	26.0/28.0	
	[660/711]	
-	26.0/28.0	-
	[660/711]	
-	26.0/28.0	-
	[660/711]	
-	26.0/28.0	-
	[660/711]	
-	26.0/28.0	-
	[660/711]	

CARCASA - LOC	-
TAPA - LOC	-
CARCASA - LC	-
TAPA - LC	-

CURVAS DE FUNCIONAMIENTO	TORSION @ RPM (25°C)	MUESTRA APROBADA	COMPONENTE UL	CSA
C24092	18.0 OZ. FT.	EX12101	#ARCHIVO PRGY2 LR43341	4211-01

CARACTERISTICAS DE GEOMETRIA Y SIMBOLOS  
 ▽ PLANICIDAD  
 - RECTITUD  
 < ANGULARIDAD  
 ⊥ PERPENDICULARIDAD (A ESCUADRA)  
 // PARALELISMO  
 ○ REDONDEZ (CIRCULARIDAD)  
 ∅ CILINDRICIDAD  
 △ PERFIL DE CUALQUIER SUPERFICIE  
 ∩ PERFIL DE CUALQUIER LINEA  
 ↗ VARIACION  
 ⊕ POSICION REAL  
 ⊙ CONCENTRICIDAD  
 = SIMETRIA  
 ASME Y14.5M 1994

REGAL-BELOIT CORPORATION (RBC) PROVEE ASISTENCIA TECNICA A NUESTROS CLIENTES EN VARIAS AREAS. DESDE QUE RBC NO RECIBE TODOS LOS DATOS EN RELACION AL USO Y A LA APLICACION DEL MOTOR, LA APLICACION ADECUADA DEL MOTOR DEBE SER DETERMINADA POR EL CLIENTE.

DIMENSIONES SIN TOLERANCIA SON DE REFERENCIA SOLAMENTE

DIBUJADO POR: B.ZHAO 01-19-2012  
 APROBADO POR: B.SHEN 01-19-2012  
 TERCER ANGULO DE PROYECCION  
 CONFIDENCIAL: ESTE DIBUJO Y SU INFORMACION SON PROPIEDAD DE USO EXCLUSIVO Y CONFIDENCIAL DE REGAL-BELOIT CORPORATION. Y NO DEBERAN SER REVELADOS, DUPLICADOS, DISTRIBUIDOS O USARSE DE OTRA MANERA SIN EL CONSENTIMIENTO ESCRITO DE REGAL-BELOIT CORPORATION. -TODOS LOS DERECHOS RESERVADOS.

REGAL-BELOIT CORPORATION  
 DESCRIPCION: MODEL-RFHP-48FR OUTLINE  
 TAMAÑO: C NUMERO DE DIBUJO: FSE1024  
 ESCALA: NONE HOJA: 1

4

3

2

1

4

3

2

1

总技术要求:

轴跳动:

端部窜动量

轴承:

安装位置:

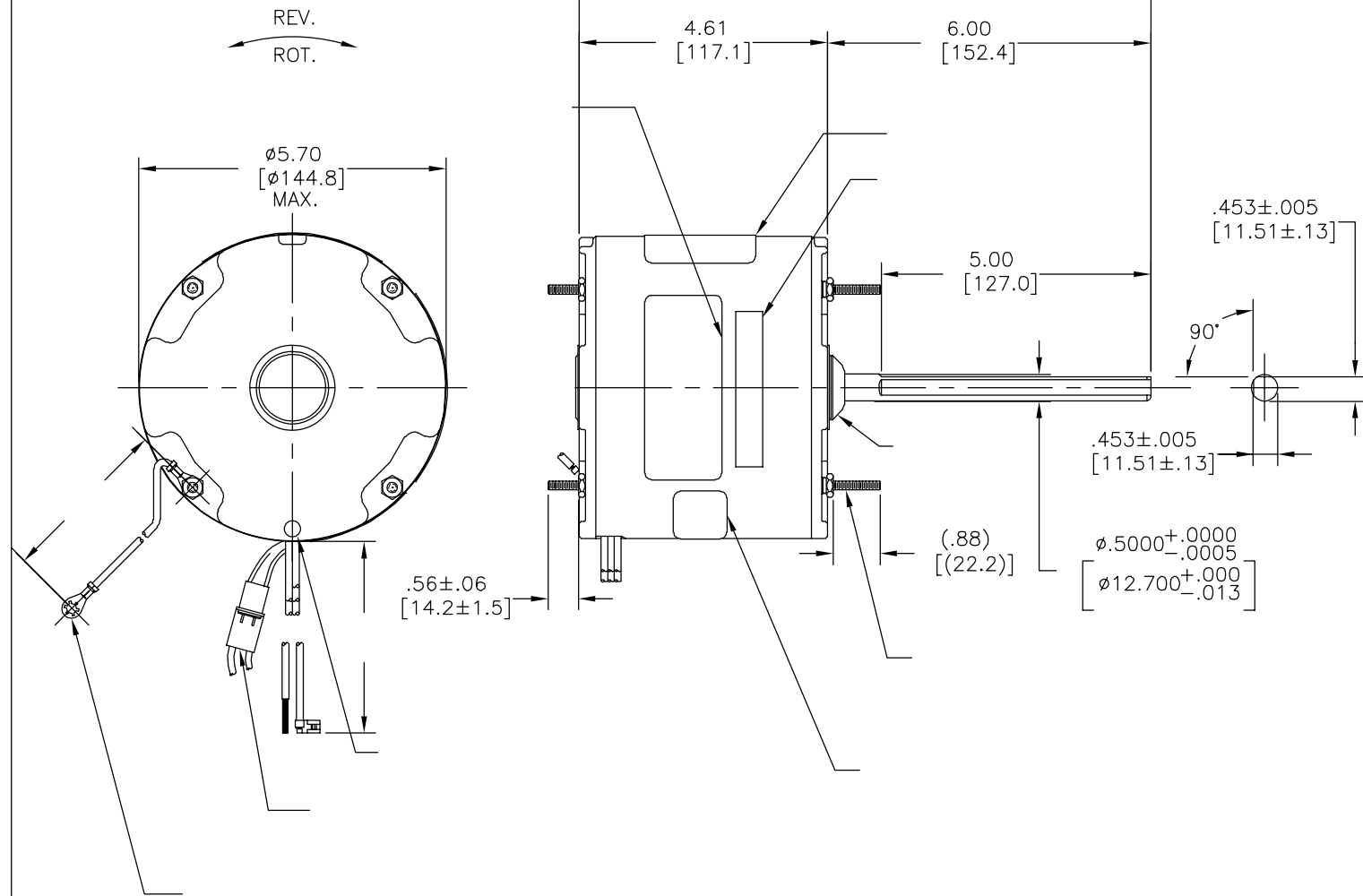
电气数据:

过载保护:

引线:

接地线:

版本	ECO	编制	日期	批准	日期
A	0024033	B.ZHAO	01-19-2012	B.SHEN	01-19-2012



	12.0/13.0	
	[305/330]	
	26.0/28.0	
	[660/711]	
	26.0/28.0	
	[660/711]	
	26.0/28.0	
	[660/711]	
	26.0/28.0	
	[660/711]	
	26.0/28.0	
	[660/711]	

性能曲线编号	转矩在 @ RPM (25° C)	批准样品	UL部件	CSA
C24092	18.0 OZ. FT.	EX12101	文件号 指南	文件号 指南
			E46412 PRGY2	LR43341 4211-01

引线数据

REGAL-BELOIT CORPORATION (RBC) 在个别领域为客户提供技术支持。鉴于RBC未收到任何涉及电机使用和应用环境的数据，电机的适用性由客户自己决定。

未注公差尺寸仅供参考。

无引线端机壳	
无引线端端盖	
有引线端机壳	
有引线端端盖	

密封性

用户

铭牌数据	外部数据线
MODEL NO.: F48SJ4L8 CUST. P/N: FSE1024 HP: 1/4-1/6 ROT.: REVERSIBLE RPM: 1625/2 SPD TYPE: UF FRAME: 48Y VOLTS: 208-230 PH: 1 AMPS: 1.7/1.0 (2.5 MAX) HZ: 60 INS.: B AMB.: 60° C DUTY: AIR OVER CAP.: 5 MFD/370 V ENCL: ENCLOSED UL LOGO CSA LOGO THERMALLY PROTECTED	<p>BROWN SEP. CAP.</p> <p>BROWN/W.</p> <p>YELLOW</p> <p>BLACK HI</p> <p>RED LO</p> <p>ROTATION</p> <p>BLACK BLACK</p> <p>WHITE WHITE</p> <p>CCWLE</p> <p>BLACK WHITE</p> <p>WHITE BLACK</p> <p>CWLE</p> <p>614131-109</p>

- 形位公差
- 平面度
- 直线度
- ∠ 倾斜度
- ⊥ 垂直度
- // 平行度
- 圆度
- ⊘ 圆柱度
- ⊙ 面轮廓度
- △ 线轮廓度
- ↗ 圆跳动
- ⊕ 位置度
- ⊙ 同轴度
- ≡ 对称度

ASME Y14.5M 1994

绘图:	B.ZHAO	01-19-2012
批准:	B.SHEN	01-19-2012
第三角投影		图纸格式发布日期 11-11-2011 图纸格式版本 G
机密:	本图纸及相关信息所有权归REGAL-BELOIT CORPORATION。未经REGAL-BELOIT CORPORATION书面授权，不得泄露、复制、传播或作其他用途。一版权所有	

名称	MODEL-RFHP-48FR OUTLINE
图幅	C
图号	FSE1024
比例	NONE
页号	1

4

3

2

1