

GENERAL INFORMATION:

SHAFT RUNOUT: .001[.025] T.I.R. PER INCH LENGTH OF EXTENSION.

END PLAY: .010[.025] TO .063[1.600]

BEARINGS: SLEEVE

MOUNTING POSITION: VERTICAL SHAFT UP OR DOWN

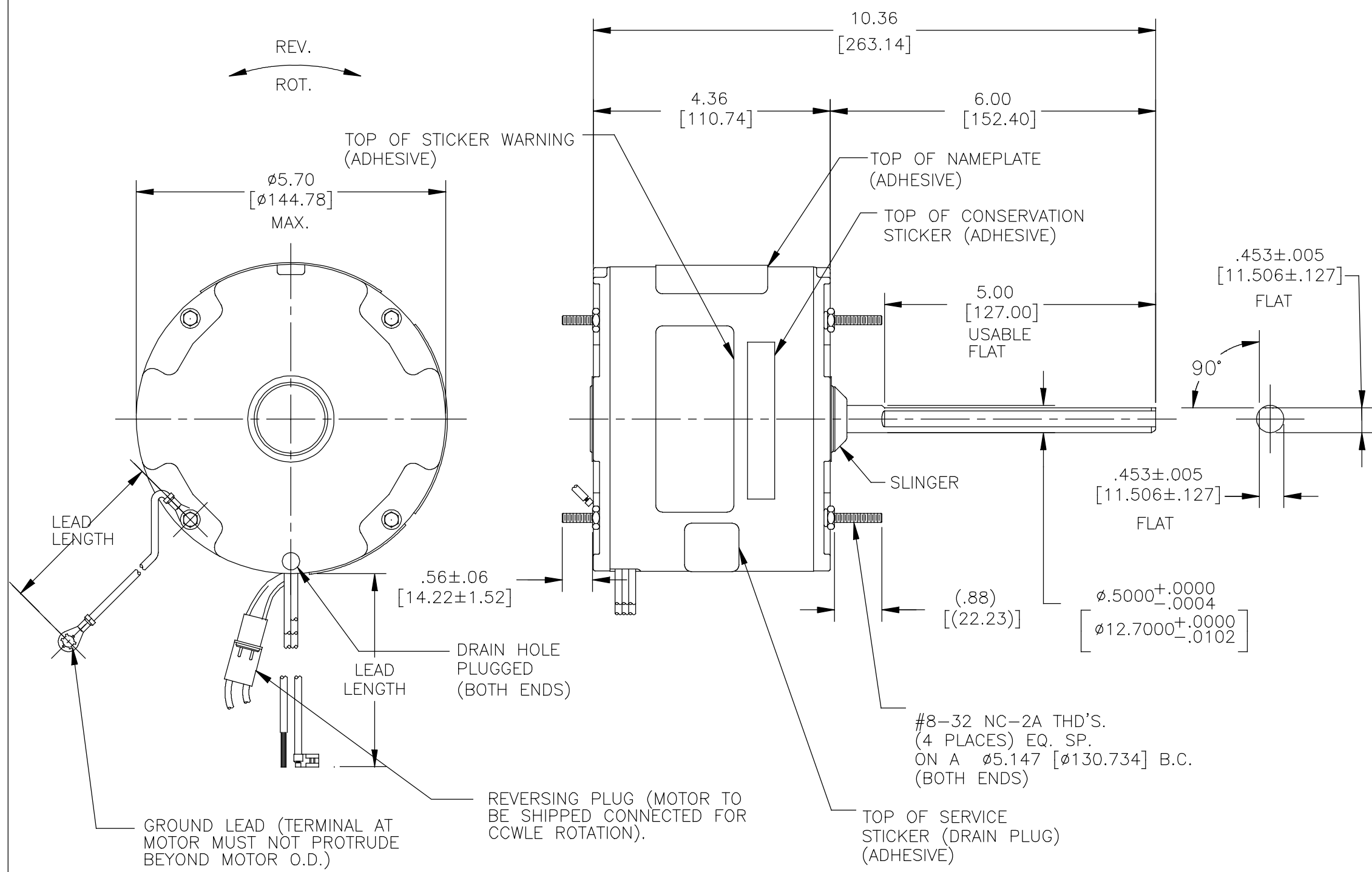
ELECTRICAL DATA:

OVERLOAD PROTECTOR: AUTOMATIC RESET (T.I. 7AM 036)

LEADS: NO. 18 GA., .06[1.52] THK., PVC 105°C INSUL.

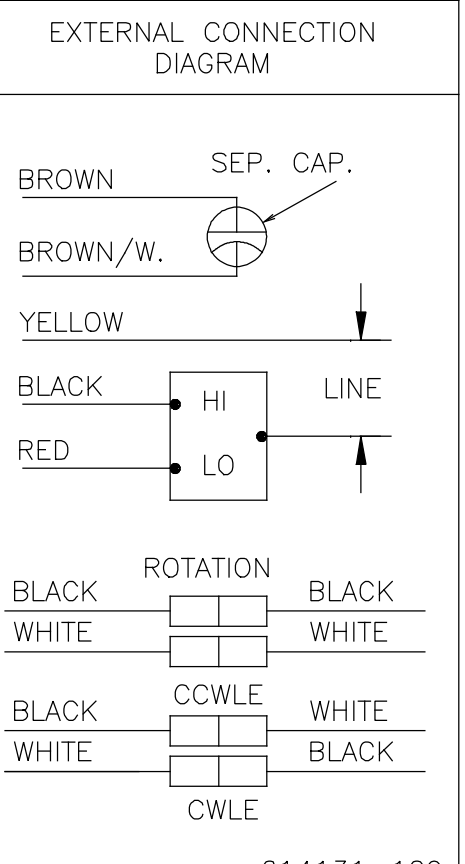
REVERSING LEADS: NO. 18 GA., .03[.76] THK., 125°C INSUL.

GROUND LEAD: NO. 18 GA., .03[.76] THK., (GREEN) INSUL.



NAMEPLATE DATA:

MODEL NO.: F48SJ6L23
 CUST. P/N: 7FSE1026
 HP: 1/4
 ROT.: REVERSIBLE
 RPM: 1075/2 SPD
 TYPE: UF
 FRAME: 48Y
 VOLTS: 277
 PH: 1
 AMPS: 1.3 (1.8 MAX)
 HZ: 60
 INS.: B
 AMB.: 60° C
 DUTY: AIR OVER
 CAP.: 5 MFD/370 V
 ENCL: ENCLOSED
 CSA LOGO
 UL LOGO
 THERMALLY PROTECTED



COLOR	LENGTH	TERMINAL OR STRIP LENGTH
BLACK/WHITE	3/5 [76/127]	REVERSING PLUG
GREEN(GRD)	12/13 [305/330]	#10 EYELET
BROWN/WHITE	26/28 [660/711]	.25[6.4] FLAG
BROWN	26/28 [660/711]	.25[6.4] FLAG
YELLOW	26/28 [660/711]	.50[12.7] SKIN
BLACK	26/28 [660/711]	.50[12.7] SKIN
RED	26/28 [660/711]	.50[12.7] SKIN

REGAL-BELOIT CORPORATION (RBC) PROVIDES TECHNICAL ASSISTANCE TO OUR CUSTOMERS IN SEVERAL AREAS. SINCE RBC DOES NOT RECEIVE ALL DATA CONCERNING THE USE AND APPLICATION OF THE MOTOR, THE SUITABILITY OF THE MOTOR FOR THE APPLICATION MUST BE DETERMINED BY THE CUSTOMER.

DIMENSIONS WITHOUT TOLERANCES ARE FOR REFERENCE ONLY.

ENCLOSURE	DESCRIPTION
MAIN FRAME - OLE	ENCLOSED
END FRAME - OLE	ENCLOSED
MAIN FRAME - LE	ENCLOSED
	ENCLOSED

CUSTOMER

PERFORMANCE CURVE NO.	TORQUE @ 1075 RPM (25°C)	APPROVED SAMPLE	UL COMPONENT		CSA	
			FILE #	CCN #	FILE #	CLASS #
C30295	28.8 OZ. FT.	89AE824	E46412	PRGY2	LR43341	4211-01

DRAWING REVISION	REVISION BY	DATE
C	LISA.ZHU	02-23-2018
ECO	APPROVED BY ANDREA NELSON	DATE 02-23-2018

COPYRIGHT REGAL-BELOIT AMERICA, INC. ALL RIGHTS RESERVED. PROPRIETARY AND CONFIDENTIAL INFORMATION - THIS DOCUMENT IS THE PROPERTY OF REGAL-BELOIT AMERICA, INC. (OWNER) AND CONTAINS OWNER'S PROPRIETARY INFORMATION. ANY PERSON, CORPORATION OR OTHER FIRM RECEIVING IT IS DEEMED, BY RECEIVING IT, TO AGREE THAT IT, AND/OR ANY PART OF IT, SHALL NOT BE DISCLOSED TO ANY PERSON, CORPORATION OR OTHER ENTITY, DUPLICATED, AND/OR USED, EXCEPT AS EXPRESSLY APPROVED IN WRITING IN ADVANCE BY OWNER. THIS DOCUMENT SHALL BE RETURNED TO OWNER UPON REQUEST. IT MAY BE SUBJECT TO CERTAIN RESTRICTIONS UNDER APPLICABLE EXPORT CONTROL LAWS AND REGULATIONS.

DRAWN BY:	DATE:
B.ZHAO	01-19-2012
APPROVED BY:	DATE:
B.SHEN	07-19-2012
PROCESS/FINISH	MATERIAL
THIRD ANGLE PROJECTION	SIZE DWG NO
	C

REGAL™ Regal Beloit America, Inc.

DESCRIPTION: MODEL-RFHP-48FR OUTLINE

SHEET 1