

4

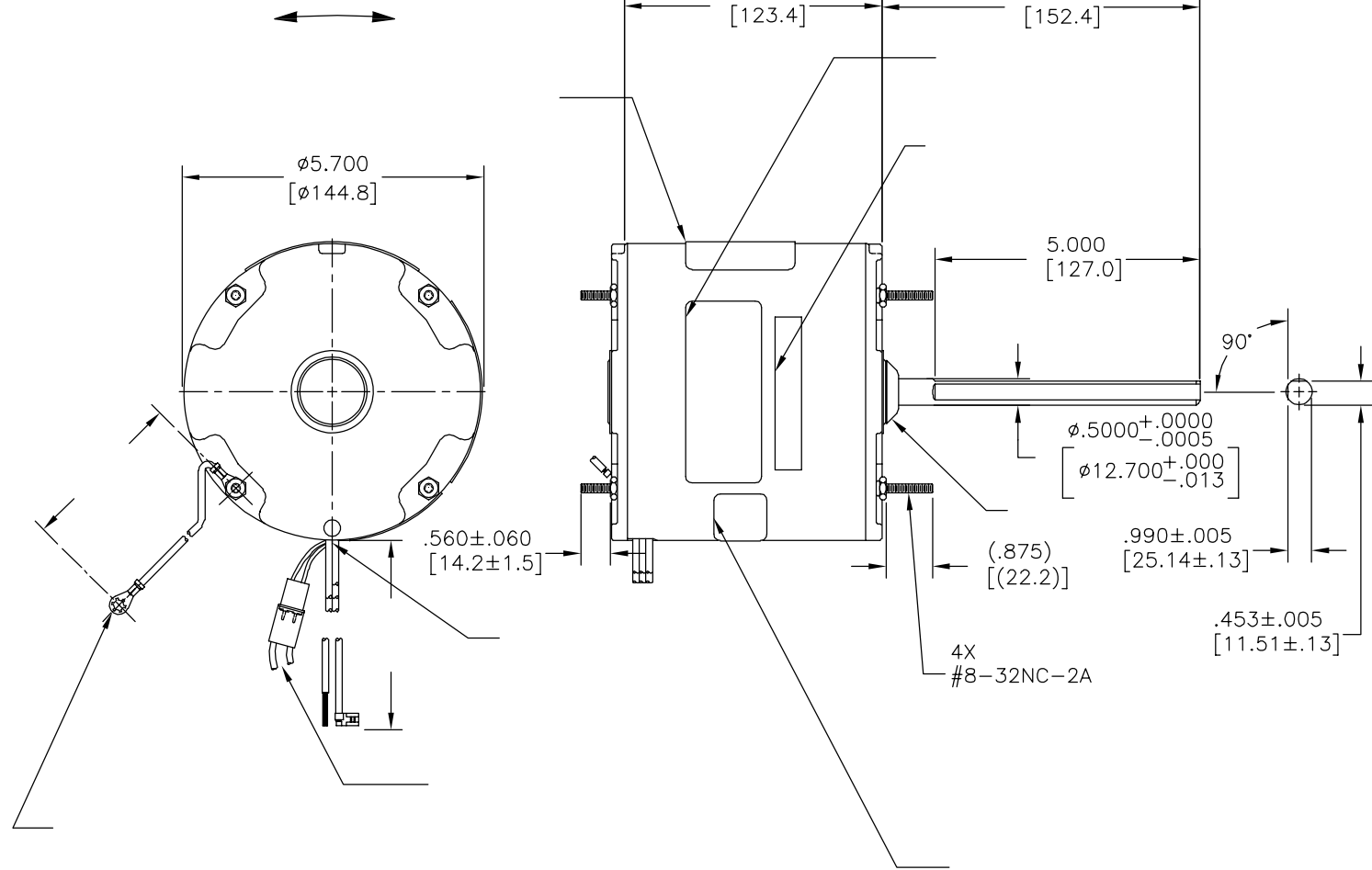
3

2

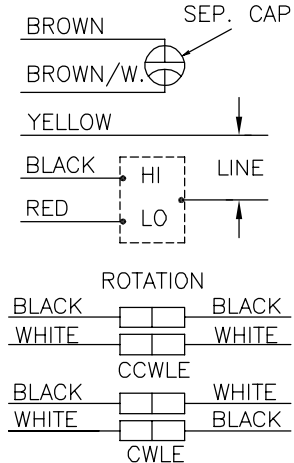
1

版本	ECO	编制	日期	批准	日期
C	ECO-0034278	A.RODRIGUEZ	07-08-2013	D.MUÑOZ	07-08-2013

.001[.03] T.I.R. PER INCH
LENGTH OF EXTENSION



MODEL NO.: F48SN6L22
CUST. P/N: []
HP: 1/3
ROT.: REVERSIBLE
RPM: 1075/2 SPD
TYPE: UF
FRAME: 48Y
VOLTS: 208-230
PH: 1
AMPS: 1.8 (2.8 MAX.)
HZ: 60
INS.: B
AMB.: 60°C
DUTY: AIR OVER
CAP: 7.5 MFD/370V
ENCL: ENCLOSED
CSA LOGO
UL LOGO
THERMALLY PROTECTED



614131-109

CSA

C23418 39.4 OZ. FT. EX11197-1 E46412 PRGY2 LR43341 4211-01

DISTRIBUTION SERVICE

- 形位公差
- 平面度
- 直线度
- ∠ 倾斜度
- ⊥ 垂直度
- // 平行度
- 圆度
- ⊘ 圆柱度
- ⊙ 圆跳动
- △ 面轮廓度
- ∩ 线轮廓度
- ↗ 圆跳动
- ⊕ 位置度
- ⊙ 同轴度
- ≡ 对称度

ASME Y14.5M 1994

REGAL-BELOIT CORPORATION (RBC) 在个别领域为客户提供技术支持。鉴于RBC未收到任何涉及电机使用和应用环境的数据，电机的适用性由客户自己决定。

未注公差尺寸仅供参考。

绘图: AS 02-14-2011
批准: BS 02-14-2011
第三角投影
图纸格式发布日期 11-11-2011
图纸格式版本 H
机密: 本图纸及相关信息所有权归REGAL-BELOIT CORPORATION。未经REGAL-BELOIT CORPORATION书面授权, 不得泄露、复制、传播或作其他用途。—版权所有



名称: MODEL-RFHP-48FR OUTLINE
图幅: C 图号: F48SN6L22
比例: NONE 页号: 1

4

3

2

1

4

3

2

1

REV	ECO	REV BY	DATE	APPD	DATE
C	ECO-0034278	A.RODRIGUEZ	07-08-2013	D.MUÑOZ	07-08-2013

GENERAL INFORMATION:

SHAFT RUNOUT: .001[.03] T.I.R. PER INCH LENGTH OF EXTENSION
 END PLAY: .010[.25] TO .063[1.60]
 BEARINGS: SLEEVE
 MOUNTING POSITION: ALL ANGLE

ELECTRICAL DATA:

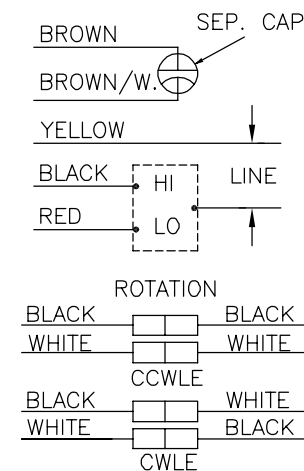
OVERLOAD PROTECTOR: AUTOMATIC RESET (SENSATA 7AM 036)
 LEADS: NO. 18 GA., .06[1.5] EPDM., 125°C INSUL.
 REVERSING LEADS: NO. 18 GA., .03[.8] XLP., 125°C INSUL.
 GROUND LEAD: NO. 18 GA., .03[.8] THK., (GREEN) INSUL.

NAMEPLATE DATA:

MODEL NO.: F48SN6L22
 CUST. P/N: []
 HP: 1/3
 ROT.: REVERSIBLE
 RPM: 1075/2 SPD
 TYPE: UF
 FRAME: 48Y
 VOLTS: 208-230
 PH: 1
 AMPS: 1.8 (2.8 MAX.)
 HZ: 60
 INS.: B
 AMB.: 60°C
 DUTY: AIR OVER
 CAP: 7.5 MFD/370V
 ENCL: ENCLOSED
 CSA LOGO
 UL LOGO
 THERMALLY PROTECTED

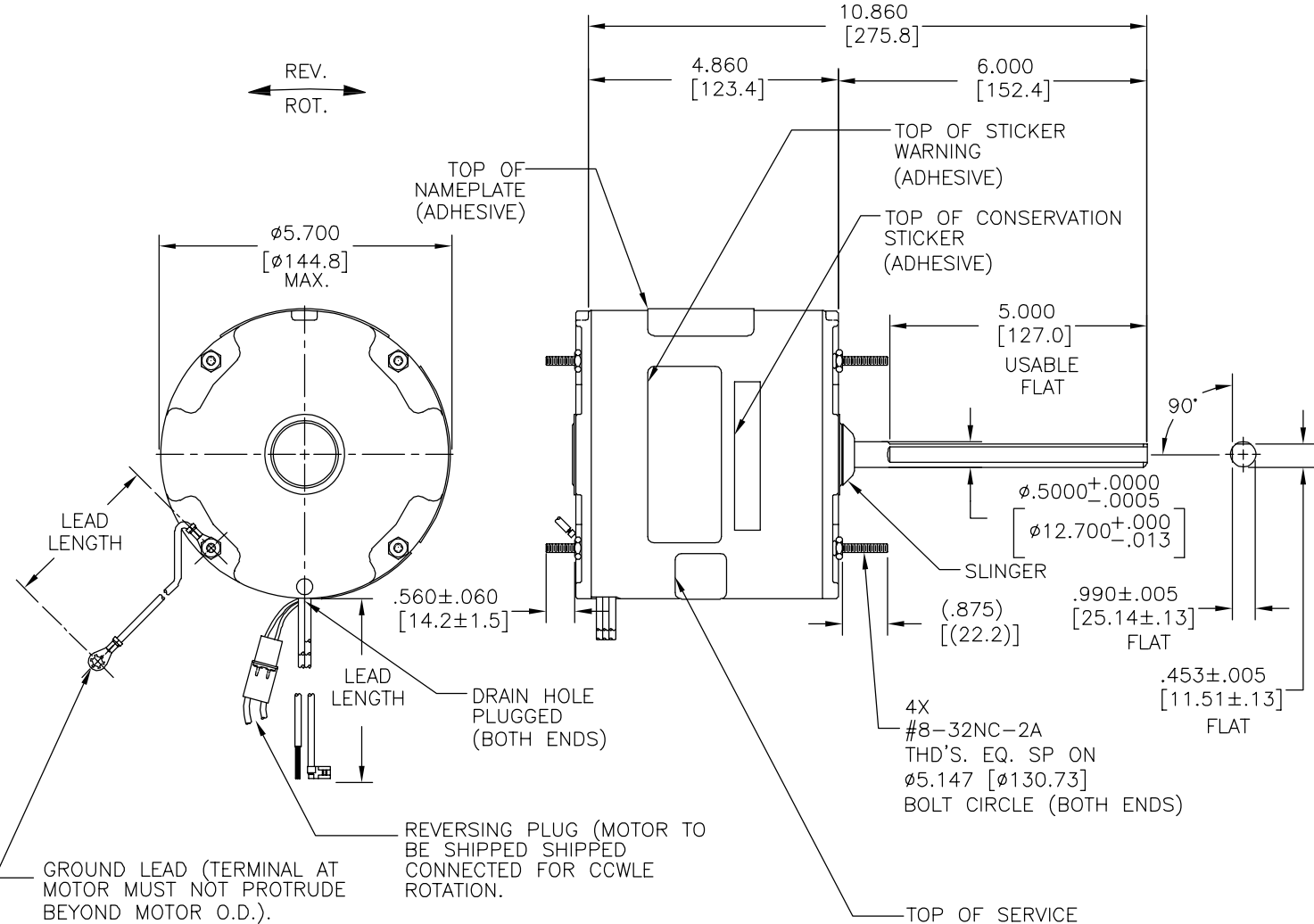
SEE NOTE 1

EXTERNAL CONNECTION DIAGRAM



614131-109

PERFORMANCE CURVE NO.	TORQUE @ 1075 RPM (25°C)	APPROVED SAMPLE	UL COMPONENT FILE #	CCN #	CSA FILE #	CLASS #
C23418	39.4 OZ. FT.	EX11197-1	E46412	PRGY2	LR43341	4211-01



BLACK/WHITE	3.0/5.0 [76/127]	REVERSING PLUG
GREEN (GND)	12.0/13.0 [305/330]	#10 EYELET
BROWN/WHITE	26.0/28.0 [660/711]	.25[6.4] FLAG
BROWN	26.0/28.0 [660/711]	.25[6.4] FLAG
YELLOW	26.0/28.0 [660/711]	.50[12.7] SKIN
BLACK	26.0/28.0 [660/711]	.50[12.7] SKIN
RED	26.0/28.0 [660/711]	.50[12.7] SKIN
COLOR	LENGTH	TERMINAL OR STRIP LENGTH

NOTE:
1. DISTRIBUTION PART NUMBER: FSE1036

MAIN FRAME - OLE	ENCLOSED
END FRAME - OLE	ENCLOSED
MAIN FRAME - LE	ENCLOSED
END FRAME - LE	ENCLOSED

CUSTOMER	DISTRIBUTION SERVICE
----------	----------------------

GEOMETRIC CHARACTERISTICS & SYMBOLS
 ▽ FLATNESS
 - STRAIGHTNESS
 < ANGLARITY
 ⊥ PERPENDICULARITY (SQUARENESS)
 // PARALLELISM
 ○ ROUNDNESS (CIRCULARITY)
 ∅ CYLINDRICITY
 △ PROFILE OF ANY SURFACE
 ∩ PROFILE OF ANY LINE
 ↗ RUNOUT
 ⊕ TRUE POSITION
 ⊙ CONCENTRICITY
 = SYMMETRY
 ASME Y14.5M 1994

REGAL-BELOIT CORPORATION (RBC) PROVIDES TECHNICAL ASSISTANCE TO OUR CUSTOMERS IN SEVERAL AREAS. SINCE RBC DOES NOT RECEIVE ALL DATA CONCERNING THE USE AND APPLICATION OF THE MOTOR, THE SUITABILITY OF THE MOTOR FOR THE APPLICATION MUST BE DETERMINED BY THE CUSTOMER.

DIMENSIONS WITHOUT TOLERANCES ARE FOR REFERENCE ONLY.

DR BY: AS 02-14-2011
 APPD: BS 02-14-2011
 EDS DATE 11-11-2011
 FORMAT REV H
 THIRD ANGLE PROJECTION
 CONFIDENTIAL: THIS DRAWING AND ITS INFORMATION ARE THE EXCLUSIVE AND CONFIDENTIAL PROPERTY OF REGAL-BELOIT CORPORATION AND ARE NOT TO BE DISCLOSED, DUPLICATED, DISTRIBUTED OR OTHERWISE USED WITHOUT THE WRITTEN CONSENT OF REGAL-BELOIT CORPORATION. -ALL RIGHTS RESERVED.

REGAL REGAL-BELOIT CORPORATION

DESCRIPTION: MODEL-RFHP-48FR OUTLINE

SIZE: C DWG NO: F48SN6L22

SCALE: NONE SHEET: 1

4

3

2

1

Uncontrolled Copy

4

3

2

1

REVISION:	ECO	REVISADO POR:	FECHA:	APROBADO POR:	FECHA:
C	ECO-0034278	A.RODRIGUEZ	07-08-2013	D.MUÑOZ	07-08-2013

INFORMACION GENERAL:

OSCILACION DE FLECHA: **.001[.03]** L.T.R. **PERGIND** DE EXTENSION POR PULGADA
LENGTH OF EXTENSION

BALEROS: BOLA

POSICION DE TODO EL ANGULO

MONTAJE:

DATOS ELECTRICOS:

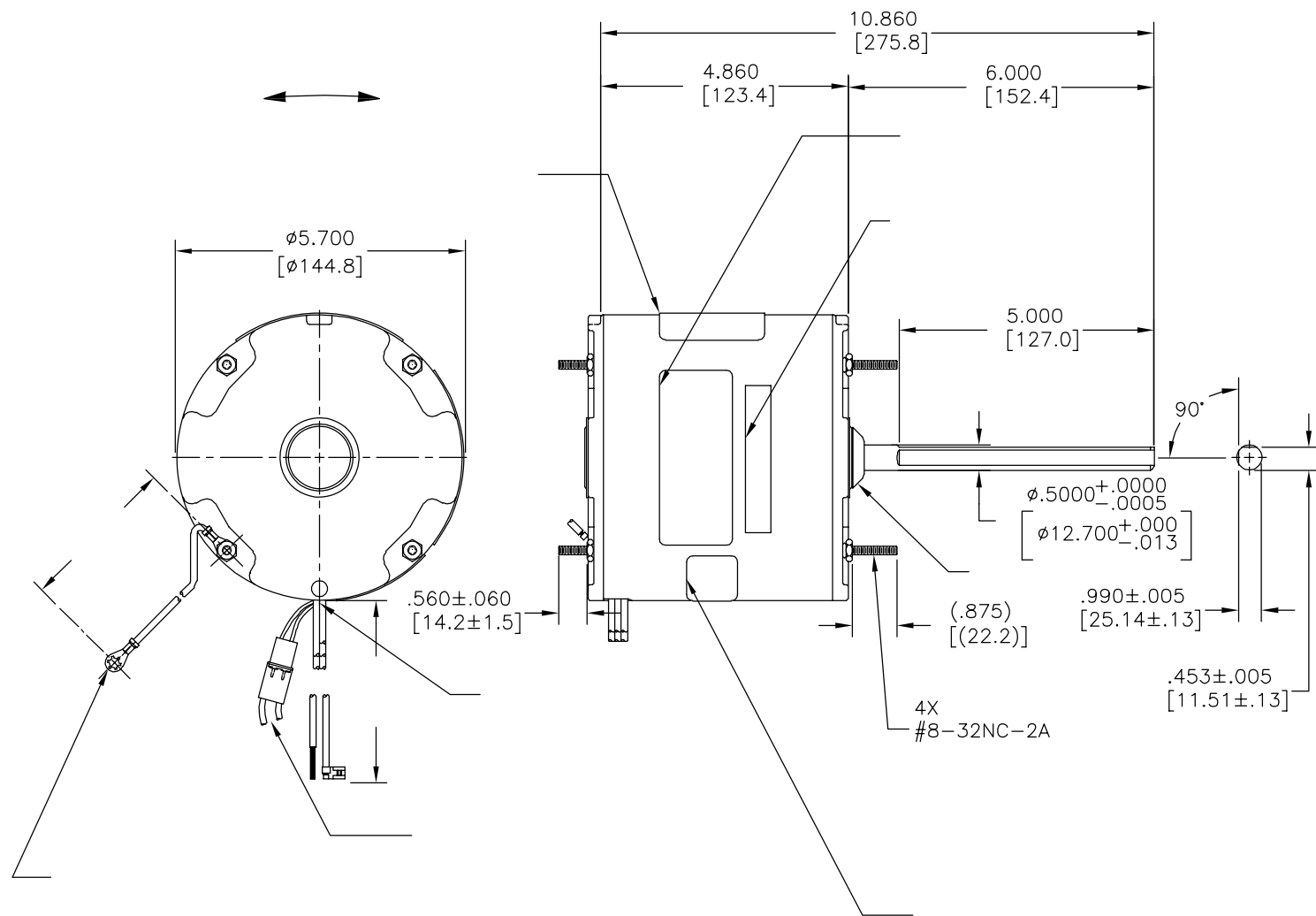
SOBRECARGA REINICIO AUTOMATICO (SENSATA 7AM 036)

DEL PROTECTOR:

CABLES DE LINEA: NO. 18 GA., .06[1.5] DE ESPESOR EPDM 125°C AISLANTE

TAPON DE INVERSION: NO. 18 GA., .03[.8] ESPESOR XLP 125°C AISLANTE

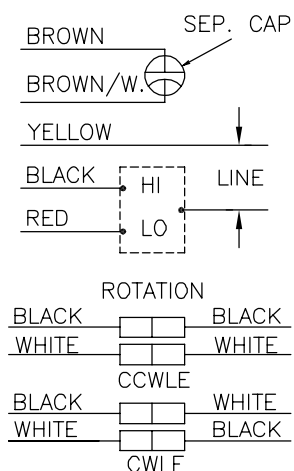
CABLE DE TIERRA: NO. 18 GA., .03[.8] ESPESOR (VERDE) AISLANTE



DATOS DE PLACA DE DATOS:

MODEL NO.: F48SN6L22
CUST. P/N: []
HP: 1/3
ROT.: REVERSIBLE
RPM: 1075/2 SPD
TYPE: UF
FRAME: 48Y
VOLTS: 208-230
PH: 1
AMPS: 1.8 (2.8 MAX.)
HZ: 60
INS.: B
AMB.: 60°C
DUTY: AIR OVER
CAP: 7.5 MFD/370V
ENCL: ENCLOSED
CSA LOGO
UL LOGO
THERMALLY PROTECTED

DIAGRAMA DE CONEXION EXTERNA



614131-109

COLOR	LONGITUD	TERMINAL O LONGITUD DE DESFORRE
	3.0/5.0 [76/127]	
	12.0/13.0 [305/330]	
	26.0/28.0 [660/711]	.25[6.4]
	26.0/28.0 [660/711]	.25[6.4]
	26.0/28.0 [660/711]	.50[12.7]
	26.0/28.0 [660/711]	.50[12.7]
	26.0/28.0 [660/711]	.50[12.7]

INFORMACION DE CABLES

TIPO DE MOTOR

CLIENTE	DISTRIBUTION SERVICE
---------	----------------------

- CARACTERISTICAS DE GEOMETRIA Y SIMBOLOS
- ∇ PLANICIDAD
 - RECTITUD
 - ∠ ANGULARIDAD
 - ⊥ PERPENDICULARIDAD (A ESCUADRA)
 - // PARALELISMO
 - REDONDEZ (CIRCULARIDAD)
 - ⊘ CILINDRICIDAD
 - △ PERFIL DE CUALQUIER SUPERFICIE
 - ∩ PERFIL DE CUALQUIER LINEA
 - ∠ VARIACION
 - ⊕ POSICION REAL
 - ⊙ CONCENTRICIDAD
 - = SIMETRIA
- ASME Y14.5M 1994

REGAL-BELOIT CORPORATION (RBC) PROVEE ASISTENCIA TECNICA A NUESTROS CLIENTES EN VARIAS AREAS. DESDE QUE RBC NO RECIBE TODOS LOS DATOS EN RELACION AL USO Y A LA APLICACION DEL MOTOR, LA APLICACION ADECUADA DEL MOTOR DEBE SER DETERMINADA POR EL CLIENTE.

DIMENSIONES SIN TOLERANCIA SON DE REFERENCIA SOLAMENTE

DIBUJADO POR: AS
02-14-2011
APROBADO POR: BS
02-14-2011
TERCER ANGULO DE PROYECCION
FECHA EDS: 11-11-2011
REV. FORMATO: H
CONFIDENCIAL: ESTE DIBUJO Y SU INFORMACION SON PROPIEDAD DE USO EXCLUSIVO Y CONFIDENCIAL DE REGAL-BELOIT CORPORATION. Y NO DEBERAN SER REVELADOS, DUPLICADOS, DISTRIBUIDOS O USARSE DE OTRA MANERA SIN EL CONSENTIMIENTO ESCRITO DE REGAL-BELOIT CORPORATION. -TODOS LOS DERECHOS RESERVADOS.

REGAL **REGAL-BELOIT CORPORATION**

DESCRIPCION: MODEL-RFHP-48FR
OUTLINE

TAMAÑO: C NUMERO DE DIBUJO: F48SN6L22

ESCALA: NONE HOJA: 1

4

3

2

1