

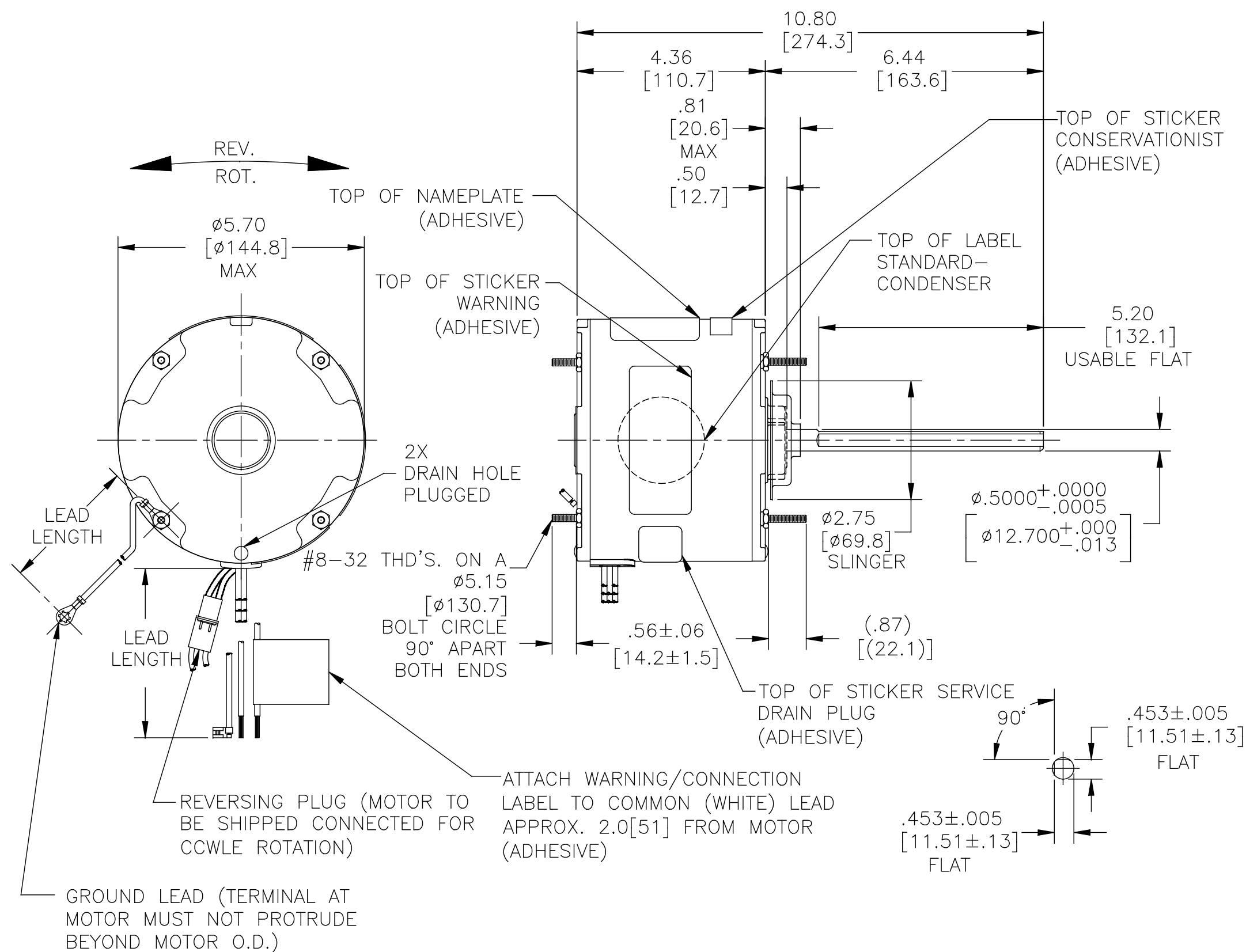
GENERAL INFORMATION:

SHAFT RUNOUT: .001[.03] T.I.R. PER INCH LENGTH OF EXTENSION
 END PLAY: .010 TO .063 [.25 TO 1.60]
 BEARINGS: SLEEVE
 MOUNTING POSITION: ALL ANGLE

ELECTRICAL DATA:

OVERLOAD PROTECTOR: AUTOMATIC RESET (SENSATA 7AM 036)
 LEADS: NO. 18 GA., .06[1.5] THK. 125°C INSUL.
 GROUND LEAD: NO. 18 GA., .03[.8] THK. GREEN INSUL.

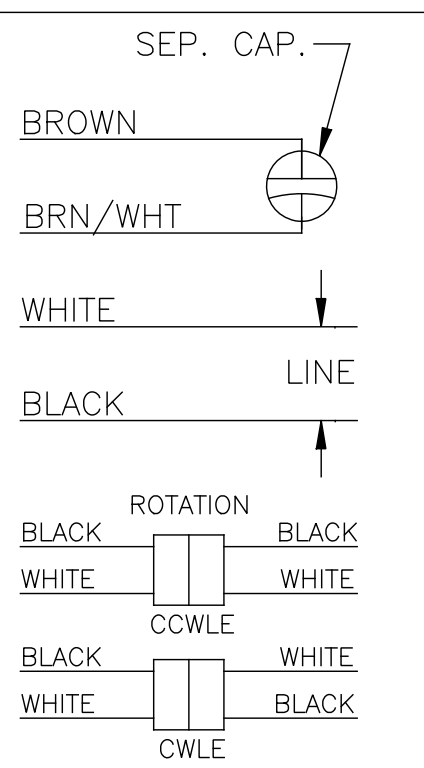
NOTES:
 1. DISTRIBUTION: CUST. P/N: FSE1026SV1



NAMEPLATE DATA:

MODEL NO.: F48AH18A01
 CUST. P/N: []
 HP: 1/4
 ROT.: REVERSIBLE
 RPM: 1075
 TYPE: UF
 FRAME: 48
 VOLTS: 208-230
 PH: 1
 AMPS: 1.9
 HZ: 60
 INS.: B
 AMB.: 60°C
 DUTY: AIR OVER
 CAP.: 5 MFD/370 V
 ENCL: ENCLOSED
 UL LOGO
 CSA LOGO
 THERMALLY PROTECTED

EXTERNAL CONNECTION DIAGRAM



GREEN (GROUND)	12.0/13.0 [305/330]	#10 EYELET
BLACK/WHITE	3.0/5.0 [76/127]	REVERSING PLUG
BROWN	36.0/39.0 [914/991]	.25[6.4] FLAG
BROWN/WHITE	36.0/39.0 [914/991]	.25[6.4] FLAG
WHITE	36.0/39.0 [914/991]	.50[12.7] SKIN
BLACK	36.0/39.0 [914/991]	.50[12.7] SKIN
COLOR	LENGTH	TERMINAL OR STRIP LENGTH

REGAL-BELOIT CORPORATION (RBC) PROVIDES TECHNICAL ASSISTANCE TO OUR CUSTOMERS IN SEVERAL AREAS. SINCE RBC DOES NOT RECEIVE ALL DATA CONCERNING THE USE AND APPLICATION OF THE MOTOR, THE SUITABILITY OF THE MOTOR FOR THE APPLICATION MUST BE DETERMINED BY THE CUSTOMER.

DIMENSIONS WITHOUT TOLERANCES ARE FOR REFERENCE ONLY.

MAIN FRAME - OLE	ENCLOSED
END FRAME - OLE	ENCLOSED
MAIN FRAME - LE	ENCLOSED
END FRAME - LE	ENCLOSED

CUSTOMER	DISTRIBUTION SERVICE
----------	----------------------

PERFORMANCE CURVE NO.	TORQUE @ 1075 RPM (25°C)	APPROVED SAMPLE	UL COMPONENT	CSA
C0000954	30.0 OZ. FT.	OER-0009869B	E46412 PRGY2	LR43341 4211-01

DRAWING REVISION	REVISION BY	DATE
G	J. CHAI	08-19-2016
ECO	APPROVED BY	DATE
ECO-0108017	D. LI	08-19-2016
ECO DESCRIPTION		
CHANGE 614131-115 TO 614131-242		

DRAWN BY:	J. M. RAMIREZ	REGAL™ Regal Beloit America, Inc.
DATE:	06-08-2011	
APPROVED BY:	S. JIMENEZ	DESCRIPTION
DATE:	06-08-2011	
PROCESS/FINISH		MATERIAL
THIRD ANGLE PROJECTION	SIZE DWG NO	SHEET
	C FSE1026SV1	1

COPYRIGHT REGAL-BELOIT AMERICA, INC. ALL RIGHTS RESERVED. PROPRIETARY AND CONFIDENTIAL INFORMATION - THIS DOCUMENT IS THE PROPERTY OF REGAL-BELOIT AMERICA, INC. (OWNER) AND CONTAINS OWNER'S PROPRIETARY INFORMATION. ANY PERSON, CORPORATION OR OTHER FIRM RECEIVING IT IS DEEMED, BY RECEIVING IT, TO AGREE THAT IT, AND/OR ANY PART OF IT, SHALL NOT BE DISCLOSED TO ANY PERSON, CORPORATION OR OTHER ENTITY, DUPLICATED, AND/OR USED, EXCEPT AS EXPRESSLY APPROVED IN WRITING IN ADVANCE BY OWNER. THIS DOCUMENT SHALL BE RETURNED TO OWNER UPON REQUEST. IT MAY BE SUBJECT TO CERTAIN RESTRICTIONS UNDER APPLICABLE EXPORT CONTROL LAWS AND REGULATIONS.