

4

3

2

1

REV	ECO	REV BY	DATE	APPD	DATE
B	0025526	J.M.RAMIREZ	04-23-2012	R.RASCON	04-23-2012

**GENERAL INFORMATION:**

SHAFT RUNOUT: .001 [.03] T.I.R. PER INCH LENGTH OF EXTENSION

END PLAY: .010 TO .063 [.25 TO 1.60]

BEARINGS: SLEEVE

MOUNTING POSITION: ALL ANGLE

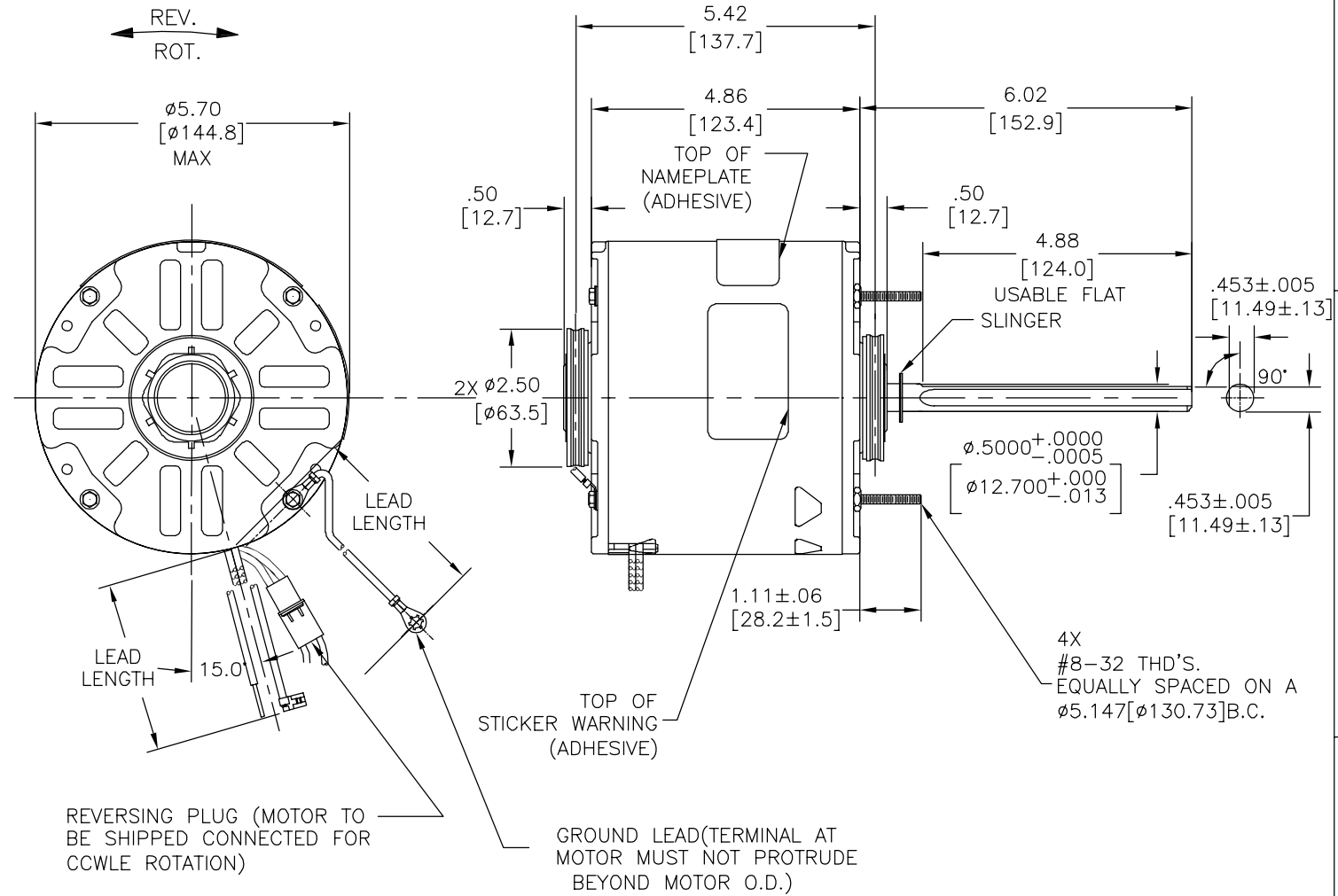
**ELECTRICAL DATA:**

OVERLOAD PROTECTOR: AUTOMATIC RESET (T.I. 7AM 036)

LEADS: NO. 18 GA., .03 [.8] THK. 125°C INSUL.

REVERSING LEADS: NO. 18 GA., .03 [.8] THK. 125°C INSUL.

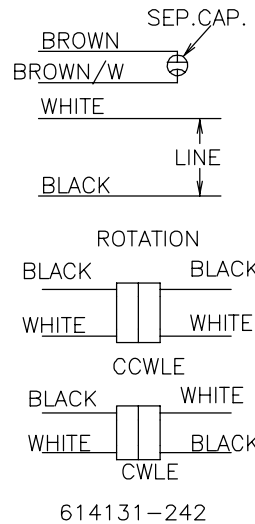
GROUND LEAD: NO. 18 GA., .03 [.8] THK. GREEN/YELLOW INSUL.



**NAMEPLATE DATA:**

**EXTERNAL CONNECTION DIAGRAM**

MODEL NO.: F48Y63A01  
 CUST. P/N: 666A  
 HP: 1/2  
 ROT.: REVERSIBLE  
 RPM: 1625  
 TYPE: UF  
 FRAME: 48Y  
 VOLTS: 208-230  
 PH: 1  
 AMPS: 3.9  
 HZ: 60  
 INS.: B  
 AMB.: 60°C  
 DUTY: AIR OVER  
 CAP.: 5MFD/370V  
 ENCL: SEMI-ENCL  
 UL LOGO  
 CSA LOGO  
 THERMALLY PROTECTED



GRN/YEL(GRD)	11.00/13.00 [279.4/330.2]	#10 EYELET
BLACK/WHITE	5.00/7.00 [127.0/177.8]	REVERSING PLUG(MALE)
BLACK/WHITE	5.00/7.00 [127.0/177.8]	REVERSING PLUG(FEMALE)
BROWN	35.00/37.00 [889.0/939.8]	.25[6.4] FLAG
BROWN/WHITE	35.00/37.00 [889.0/939.8]	.25[6.4] FLAG
BLACK	35.00/37.00 [889.0/939.8]	.50[12.7] SKIN
WHITE	35.00/37.00 [889.0/939.8]	.50[12.7] SKIN
COLOR	LENGTH	TERMINAL OR STRIP LENGTH

MAIN FRAME - OLE	SEMI-ENCLOSED
END FRAME - OLE	ENCLOSED
MAIN FRAME - LE	SEMI-ENCLOSED
END FRAME - LE	OPEN

CUSTOMER	DISTRIBUTION SERVICES
----------	-----------------------

PERFORMANCE CURVE NO.	TORQUE @ 1625 RPM (25°C)	APPROVED SAMPLE	UL COMPONENT FILE #	CCN #	CSA FILE #	CLASS #
C32643	39.9 OZ. FT.	0600549A	E46412	PRGY2	LR43341	4211-01

**GEOMETRIC CHARACTERISTICS & SYMBOLS**

- FLATNESS
- STRAIGHTNESS
- ∠ ANGULARITY
- ⊥ PERPENDICULARITY (SQUARENESS)
- ∥ PARALLELISM
- ROUNDNESS (CIRCULARITY)
- ⊘ CYLINDRICITY
- △ PROFILE OF ANY SURFACE
- ∩ PROFILE OF ANY LINE
- ↗ RUNOUT
- ⊕ TRUE POSITION
- ⊙ CONCENTRICITY
- ≡ SYMMETRY

ASME Y14.5M 1994

REGAL-BELOIT CORPORATION (RBC) PROVIDES TECHNICAL ASSISTANCE TO OUR CUSTOMERS IN SEVERAL AREAS. SINCE RBC DOES NOT RECEIVE ALL DATA CONCERNING THE USE AND APPLICATION OF THE MOTOR, THE SUITABILITY OF THE MOTOR FOR THE APPLICATION MUST BE DETERMINED BY THE CUSTOMER.

DIMENSIONS WITHOUT TOLERANCES ARE FOR REFERENCE ONLY.

DR BY: DZ 12-02-2010

APPD: TW 12-02-2010

THIRD ANGLE PROJECTION

EDS DATE 11-11-2011

FORMAT REV G

CONFIDENTIAL: THIS DRAWING AND ITS INFORMATION ARE THE EXCLUSIVE AND CONFIDENTIAL PROPERTY OF REGAL-BELOIT CORPORATION AND ARE NOT TO BE DISCLOSED, DUPLICATED, DISTRIBUTED OR OTHERWISE USED WITHOUT THE WRITTEN CONSENT OF REGAL-BELOIT CORPORATION. -ALL RIGHTS RESERVED.



DESCRIPTION: MODEL-RFHP-48FR OUTLINE

SIZE: C DWG NO: 666A

SCALE: NONE SHEET: 1

4

3

2

1

4

3

2

1

REVISION:	ECO	REVISADO POR:	FECHA:	APROBADO POR:	FECHA:
B	0025526	J.M.RAMIREZ	04-23-2012	R.RASCON	04-23-2012

**INFORMACION GENERAL:**

OSCILACION DE FLECHA:  $\pm .001$  [.03] T.I.R. PER INCH LENGTH OF EXTENSION  
 OSCILACION DE FLECHA:  $\pm .001$  [.03] T.I.R. PER INCH LENGTH OF EXTENSION

JUEGO AXIAL:  $\pm .010$  A  $\pm .063$  [.25 A 1.60]  
 BALEROS:

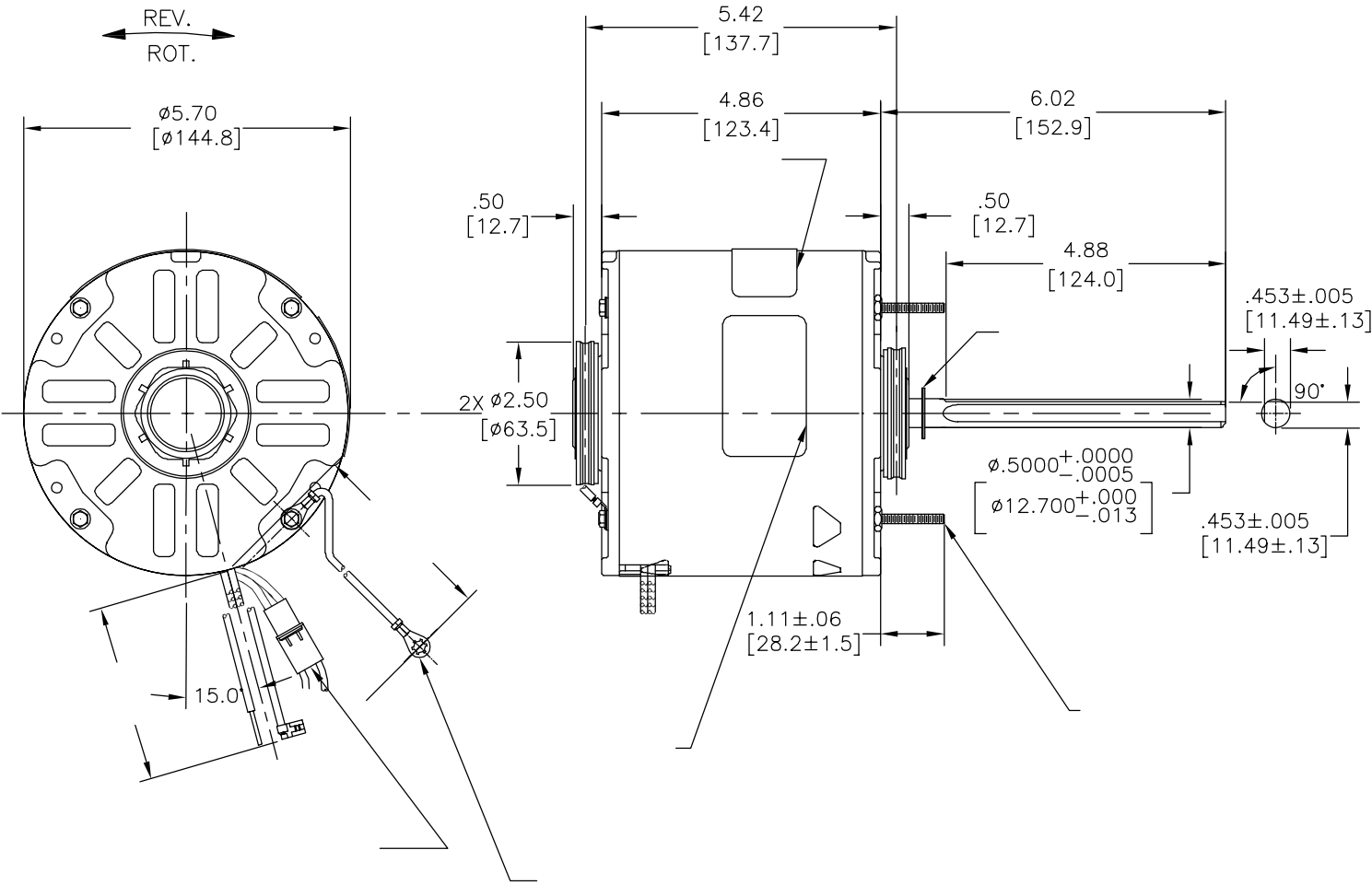
BALEROS: MANGA  
 POSICION DEL MONTAJE:

POSICION DEL MONTAJE: HORIZONTAL

**INFORMACION ELECTRICA:**

**INFORMACION ELECTRICA:**

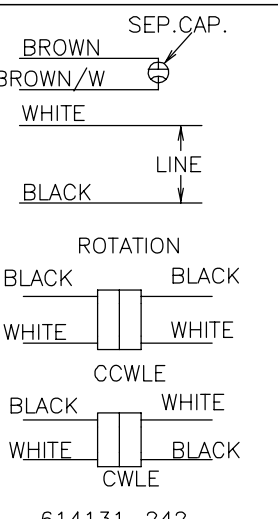
SOBRECARGA DEL PROTECTOR: REINICIO AUTOMATIC (T.I. 7AM 036)  
 PROTECTOR DE SOBRECARGA: -  
 CABLES: NO. 18 GA., .06 [1.5] THK. PVC 105°C AISLAM.  
 CABLE DE TIERRA: NO. 18 GA., .03 [.8] THK. (VERDE) AISLAM.  
 CABLE DE TIERRA: -



**INFORMACION DE ETIQUETA:**

**DIAGRAMA DE CONEXION EXTRNA**

MODEL NO.: F48Y63A01  
 CUST. P/N: 666A  
 HP: 1/2  
 ROT.: REVERSIBLE  
 RPM: 1625  
 TYPE: UF  
 FRAME: 48Y  
 VOLTS: 208-230  
 PH: 1  
 AMPS: 3.9  
 HZ: 60  
 INS.: B  
 AMB.: 60°C  
 DUTY: AIR OVER  
 CAP.: 5MFD/370V  
 ENCL: SEMI-ENCL  
 UL LOGO  
 CSA LOGO  
 THERMALLY PROTECTED



614131-242

CURVAS DE FUNCIONAMIENTO	TORSION @ RPM (25°C)	MUESTRA APROBADA	COMPONENTE UL		CSA	
			#ARCHIVO	CCN #	#ARCHIVO	CLASE #
C32643	39.9 OZ. FT.	0600549A	E46412	PRGY2	LR43341	4211-01

	11.00/13.00	
	[279.4/330.2]	
	5.00/7.00	
	[127.0/177.8]	
	5.00/7.00	
	[127.0/177.8]	
-	35.00/37.00	-
	[889.0/939.8]	
-	35.00/37.00	-
	[889.0/939.8]	
-	35.00/37.00	-
	[889.0/939.8]	
-	35.00/37.00	-
	[889.0/939.8]	

DESCRIPCION	TIPO DE MOTOR
DETALLE - LQLE	
DETALLE - LQLE	
DETALLE - LQLE	
DETALLE - LQLE	

CLIENTE	DISTRIBUTION SERVICES
---------	-----------------------

**CARACTERISTICAS DE GEOMETRIA Y SIMBOLOS**  
 □ PLANICIDAD  
 - RECTITUD  
 < ANGULARIDAD  
 ⊥ PERPENDICULARIDAD (A ESQUADRA)  
 // PARALELISMO  
 ○ REDONDEZ (CIRCULARIDAD)  
 ∅ CILINDRICIDAD  
 △ PERFIL DE CUALQUIER SUPERFICIE  
 ∇ PERFIL DE CUALQUIER LINEA  
 ^ VARIACION  
 ⊕ POSICION REAL  
 ⊙ CONCENTRICIDAD  
 = SIMETRIA

REGAL-BELOIT CORPORATION (RBC) PROVEE ASISTENCIA TECNICA A NUESTROS CLIENTES EN VARIAS AREAS. DESDE QUE RBC NO RECIBE TODOS LOS DATOS EN RELACION AL USO Y A LA APLICACION DEL MOTOR, LA APLICACION ADECUADA DEL MOTOR DEBE SER DETERMINADA POR EL CLIENTE.  
 DIMENSIONES SIN TOLERANCIA SON DE REFERENCIA SOLAMENTE

DIBUJADO POR: DZ 12-02-2010  
 APROBADO POR: TW 12-02-2010  
 TERCER ANGULO DE PROYECCION  
 CONFIDENCIAL: ESTE DIBUJO Y SU INFORMACION SON PROPIEDAD DE USO EXCLUSIVO Y CONFIDENCIAL DE REGAL-BELOIT CORPORATION. Y NO DEBERAN SER REVELADOS, DUPLICADOS, DISTRIBUIDOS O USARSE DE OTRA MANERA SIN EL CONSENTIMIENTO ESCRITO DE REGAL-BELOIT CORPORATION. -TODOS LOS DERECHOS RESERVADOS.

**REGAL-BELOIT CORPORATION**

DESCRIPCION: MODEL-RFHP-48FR OUTLINE

TAMAÑO: C NUMERO DE DIBUJO: 666A

ESCALA: NONE HOJA: 1

4

3

2

1

4

3

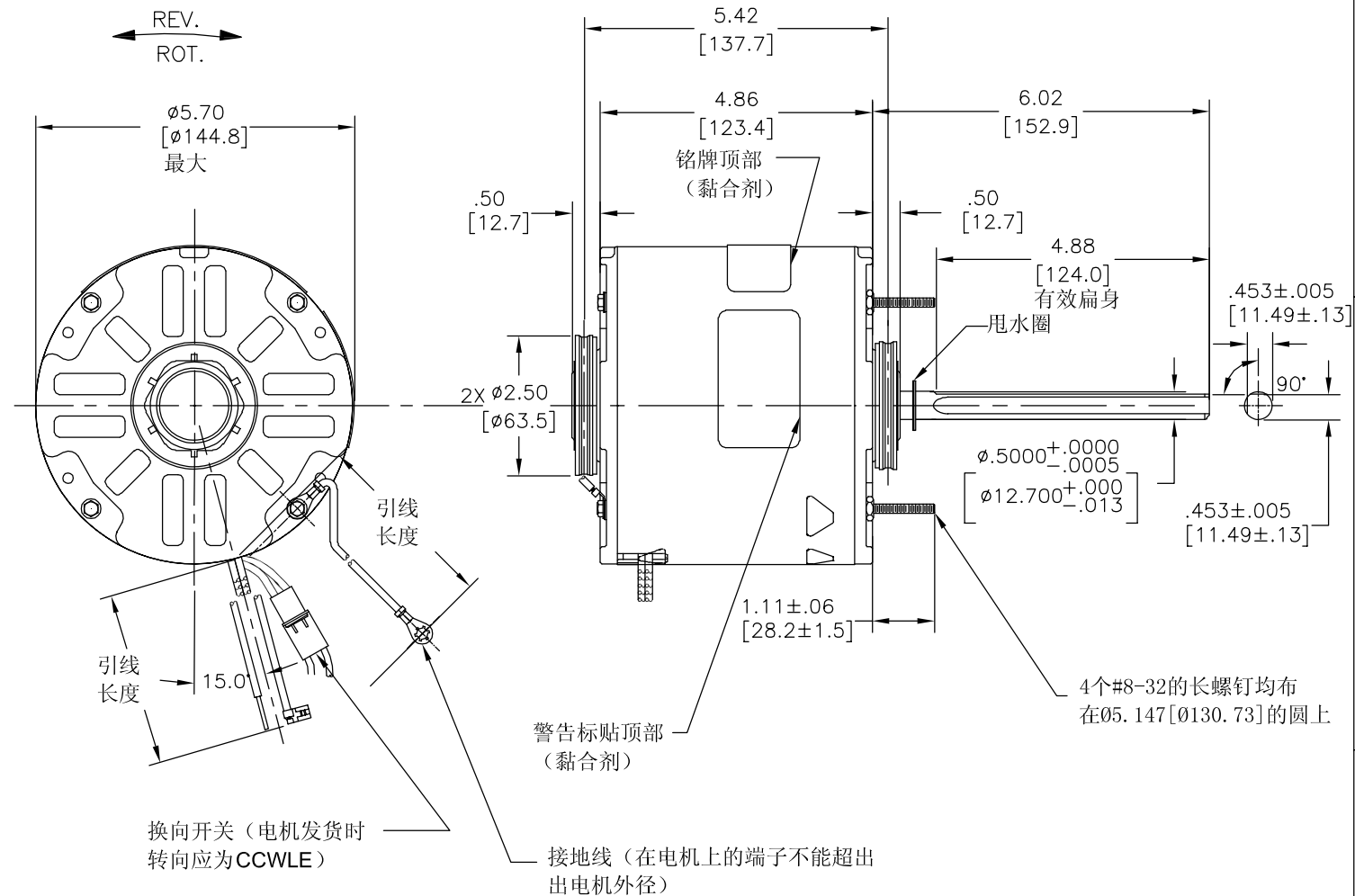
2

1

总技术要求:

轴跳动:	.001 [.03] (外伸轴)
端部窜动量:	.010 - .063 [.25 - 1.60]
轴承:	含油轴承
安装位置:	全角
电气数据:	
过载保护:	自动复位 (T.I. 7AM 036)
引线:	18GA, 厚.03[.8] 125°C 绝缘
换向线:	18GA, 厚.03[.8] 125°C 绝缘
接地线:	18GA, 厚.03[0.8] 绿色/黄色 绝缘

版本	ECO	编制	日期	批准	日期
B	0025526	J.M.RAMIREZ	04-23-2012	R.RASCON	04-23-2012



铭牌数据	外部连接详图
MODEL NO.: F48Y63A01 CUST. P/N: 666A HP: 1/2 ROT.: REVERSIBLE RPM: 1625 TYPE: UF FRAME: 48Y VOLTS: 208-230 PH: 1 AMPS: 3.9 HZ: 60 INS.: B AMB.: 60°C DUTY: AIR OVER CAP.: 5MFD/370V ENCL: SEMI-ENCL UL LOGO CSA LOGO THERMALLY PROTECTED	SEP. CAP. BROWN BROWN/W WHITE LINE BLACK ROTATION BLACK BLACK WHITE WHITE CCWLE BLACK WHITE WHITE BLACK CWLE 614131-242

绿色/黄色 (接地)	11.00/13.00 [279.4/330.2]	#10 金属圈
黑色/白色	5.00/7.00 [127.0/177.8]	换向插头 (公)
黑色/白色	5.00/7.00 [127.0/177.8]	换向插头 (母)
棕色	35.00/37.00 [889.0/939.8]	.25[6.4] 旗形插
棕色/白色	35.00/37.00 [889.0/939.8]	.25[6.4] 旗形插
黑色	35.00/37.00 [889.0/939.8]	.50[12.7] 剥线长
白色	35.00/37.00 [889.0/939.8]	.50[12.7] 剥线长
颜色	长度	端子或剥线长度

非引线端机壳	半封闭
非引线端端盖	封闭
引线端机壳	半封闭
引线端端盖	开放

用户	DISTRIBUTION SERVICES
----	-----------------------

性能曲线编号	转矩在 1625RPM (25° C)	批准样品	UL部件	CSA
C32643	39.9 OZ. FT.	0600549A	文件号 指南	文件号 指南
			E46412 PRGY2	LR43341 4211-01

- 形位公差
- 平面度
- 直线度
- ∠ 倾斜度
- ⊥ 垂直度
- // 平行度
- 圆度
- ⊘ 圆柱度
- ⊙ 面轮廓度
- △ 线轮廓度
- ∩ 圆跳动
- ⊕ 位置度
- ⊙ 同轴度
- ≡ 对称度

ASME Y14.5M 1994

REGAL-BELOIT CORPORATION (RBC) 在个别领域为客户提供技术支持。鉴于RBC未收到任何涉及电机使用和应用环境的数据, 电机的适用性由客户自己决定。

未注公差尺寸仅供参考。

绘图:	DZ	12-02-2010
批准:	TW	12-02-2010
第三角投影		图纸格式发布日期 11-11-2011 图纸格式版本 G
机密:	本图纸及相关信息所有权归REGAL-BELOIT CORPORATION。未经REGAL-BELOIT CORPORATION书面授权, 不得泄露、复制、传播或作其他用途。—版权所有	

名称	MODEL-RFHP-48FR OUTLINE
图幅	C
图号	666A
比例	NONE
页号	1

4

3

2

1