

GENERAL INFORMATION:

SHAFT RUNOUT: .001[.025] T.I.R. PER INCH LENGTH OF EXTENSION

BEARINGS: BALL

MOUNTING POSITION: ALL ANGLE

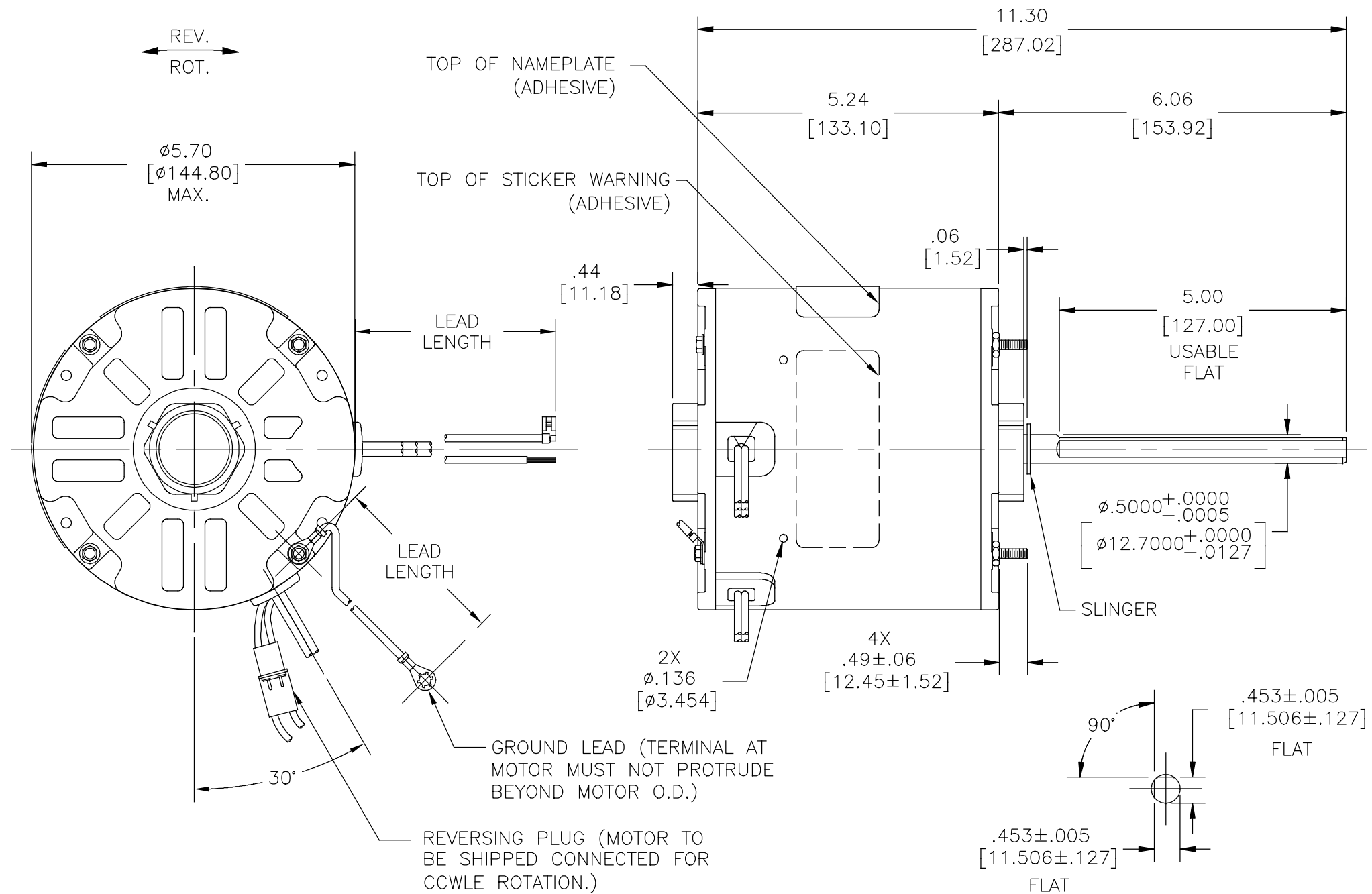
ELECTRICAL DATA:

OVERLOAD PROTECTOR: AUTOMATIC RESET (SENSATA 7AM 036)

LEADS: NO. 18 GA., .06 [1.52] THK. PVC 105°C INSUL.

REVERSING LEADS: NO. 18 GA., .03 [.76] THK. 125° INSUL.

GROUND LEAD: NO. 18 GA., .03 [.76] THK. (GREEN/YELLOW) INSUL.



NOTES:

- (1) CONDUIT BOX 52P7468-1-E308 (CHINA PART NUMBER:10008198-001-001)
- (2) COVERS 46P93-1-E308 (CHINA PART NUMBER:10008208-001-001)
- (1) GASKET 24P75-1
- (4) SCREWS 15771401 TO BE SHIPPED SEPARATE IN EACH CARTON WITH MOTOR.

REGAL-BELOIT CORPORATION (RBC) PROVIDES TECHNICAL ASSISTANCE TO OUR CUSTOMERS IN SEVERAL AREAS. SINCE RBC DOES NOT RECEIVE ALL DATA CONCERNING THE USE AND APPLICATION OF THE MOTOR, THE SUITABILITY OF THE MOTOR FOR THE APPLICATION MUST BE DETERMINED BY THE CUSTOMER.

DIMENSIONS WITHOUT TOLERANCES ARE FOR REFERENCE ONLY.

MAIN FRAME - OLE	ENCLOSED
END FRAME - OLE	ENCLOSED
MAIN FRAME - LE	ENCLOSED
END FRAME - LE	OPEN

CUSTOMER	DISTRIBUTION SERVICES
----------	-----------------------

NAMEPLATE DATA:	EXTERNAL CONNECTION DIAGRAM
MODEL NO.: F48Z05A01 CUST. P/N: 783A HP: 1/2 ROT.: REVERSIBLE RPM: 1625/2 SPD. TYPE: UF FRAME: 48Y VOLTS: 460 PH: 1 AMPS: 1.6 HZ: 60 INS.: B AMB.: 60° C DUTY: AIR OVER CAP.: 7.5 MFD/370 V ENCL: SEMI-ENCL. UL LOGO CSA LOGO THERMALLY PROTECTED	
ROTATION: BLACK CCWLE: WHITE CWLE: BLACK	614131-349

GRN/YEL (GRD)	11/13 [279/330]	#10 EYELET
WHITE/BLACK	3/5 [76/127]	REVERSING PLUG
BROWN/WHITE	26/28 [660/711]	.25[6.35] FLAG
BROWN	26/28 [660/711]	.25[6.35] FLAG
RED	26/28 [660/711]	.50[12.70] STRIP
PURPLE	26/28 [660/711]	.50[12.70] STRIP
BLACK	26/28 [660/711]	.50[12.70] STRIP
WHITE	26/28 [660/711]	.50[12.70] STRIP
COLOR	LENGTH	TERMINAL OR STRIP LENGTH

LEAD DATA

DRAWING REVISION	REVISION BY	DATE
H	HANNA.ZOU	01-29-2018
ECO	APPROVED BY	DATE
ECO-0138569	JASMINE.ZHU	01-29-2018
ECO DESCRIPTION		
UPDATE THE LOGO AND NOTES		

COPYRIGHT REGAL-BELOIT AMERICA, INC. ALL RIGHTS RESERVED. PROPRIETARY AND CONFIDENTIAL INFORMATION - THIS DOCUMENT IS THE PROPERTY OF REGAL-BELOIT AMERICA, INC. ("OWNER") AND CONTAINS OWNER'S PROPRIETARY INFORMATION. ANY PERSON, CORPORATION OR OTHER FIRM RECEIVING IT IS DEEMED, BY RECEIVING IT, TO AGREE THAT IT, AND/OR ANY PART OF IT, SHALL NOT BE DISCLOSED TO ANY PERSON, CORPORATION OR OTHER ENTITY, DUPLICATED, AND/OR USED, EXCEPT AS EXPRESSLY APPROVED IN WRITING IN ADVANCE BY OWNER. THIS DOCUMENT SHALL BE RETURNED TO OWNER UPON REQUEST. IT MAY BE SUBJECT TO CERTAIN RESTRICTIONS UNDER APPLICABLE EXPORT CONTROL LAWS AND REGULATIONS.

DRAWN BY:	SRECKERS
DATE:	
APPROVED BY:	
DATE:	
PROCESS/FINISH	
THIRD ANGLE PROJECTION	

REGAL™ Regal Beloit America, Inc.	
DESCRIPTION	MODEL-RFHP-48FR OUTLINE
MATERIAL	
SIZE	DWG NO 783A
	SHEET 1

PERFORMANCE CURVE NO.	TORQUE @ 1625 RPM (25°C)	APPROVED SAMPLE	UL COMPONENT	CSA
			FILE #	CCN #
			FILE #	CLASS #
C32668	30.5 OZ. FT.	0603097A	E46412	PRGY2
			LR43341	4211-01