

GENERAL INFORMATION:

SHAFT RUNOUT: .001 [.03] T.I.R. PER INCH LENGTH OF EXTENSION

END PLAY: .010 TO .063 [.25 TO 1.60]

BEARINGS: SLEEVE

MOUNTING POSITION: HORIZONTAL OR VERTICAL SHAFT-UP

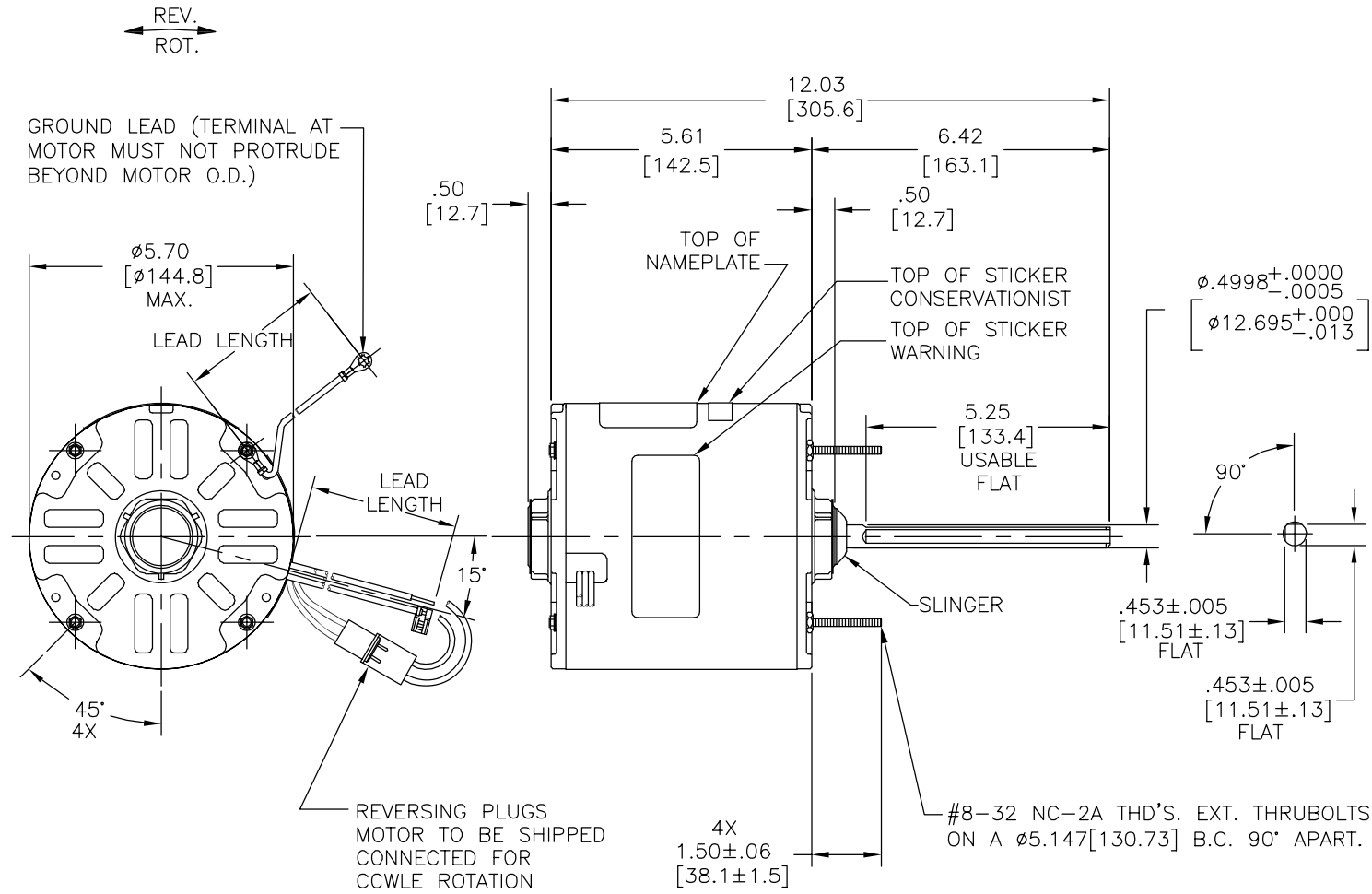
ELECTRICAL DATA:

OVERLOAD PROTECTOR: AUTOMATIC RESET (T.I. 7AM 036)

LINE LEADS: NO. 18 GA., .06 [1.5] THK. PVC 105°C INSUL.

REVERSING LEADS: NO. 18 GA., .03 [.8] THK. XLP 125°C INSUL.

GROUND LEAD: NO. 18 GA., .03 [.8] THK. (GREEN) INSUL.



LEAD DATA		
COLOR	LENGTH	TERMINAL OR STRIP LENGTH
YELLOW	26.0/28.0 [660/711]	.50 [12.7] SKIN
BLACK	26.0/28.0 [660/711]	.50 [12.7] SKIN
BROWN	26.0/28.0 [660/711]	.25 [6.4] FLAG
BROWN/WHITE	26.0/28.0 [660/711]	.25 [6.4] FLAG
GREEN GROUND	12.0/13.0 [305/330]	#10 EYELET
BLACK/WHITE	3.5/5.0 [76/127]	REVERSING PLUG

REGAL-BELOIT CORPORATION (RBC) PROVIDES TECHNICAL ASSISTANCE TO OUR CUSTOMERS IN SEVERAL AREAS. SINCE RBC DOES NOT RECEIVE ALL DATA CONCERNING THE USE AND APPLICATION OF THE MOTOR, THE SUITABILITY OF THE MOTOR FOR THE APPLICATION MUST BE DETERMINED BY THE CUSTOMER.

DIMENSIONS WITHOUT TOLERANCES ARE FOR REFERENCE ONLY.

ENCLOSURE	
END FRAME - LE	OPEN
MAIN FRAME - LE	ENCLOSED
END FRAME - OLE	ENCLOSED
MAIN FRAME - OLE	ENCLOSED

CUSTOMER	DISTRIBUTION SERVICE

NAMEPLATE DATA:	EXTERNAL CONNECTION DIAGRAM
MODEL NO.: F48SQ6L66 CUST. P/N: FS1076S HP: 3/4 ROT.: REVERSIBLE RPM: 1075 TYPE: UF FRAME: 48Y VOLTS: 208-230 PH: 1 AMPS: 4.8 HZ: 60 INS.: B AMB.: 60°C DUTY: AIR OVER CAP.: 10 MFD/370 V ENCL: SEMI-ENCL UL LOGO CSA LOGO THERMALLY PROTECTED	

PERFORMANCE CURVE NO.	TORQUE @1075 RPM (25°C)	APPROVED SAMPLE	UL COMPONENT		CSA	
			FILE #	CCN #	FILE #	CLASS #
C24758	74.0 OZ. FT.	EX12374-1	E46412	PRGY2	LR43341	4211-01

DRAWING REVISION: A	REVISION BY: J. COX	DATE: 11-20-2013	TOLERANCES UNLESS OTHERWISE SPECIFIED:	DRAWN BY: THACP	Regal Beloit America, Inc.
ECO: ECO-0041020	APPROVED BY: C. McREYNOLDS	DATE: 11-20-2013	DEC. INCH mm ANGLE .X ±0.1 [±2.5] ±0.5° .XX ±0.02 [±0.51] .XXX ±0.005 [±0.127] .XXXX ±0.0005 [±0.0127]	DATE: 10-24-1995	
COPYRIGHT REGAL-BELOIT AMERICA, INC. ALL RIGHTS RESERVED. PROPRIETARY AND CONFIDENTIAL INFORMATION - THIS DOCUMENT IS THE PROPERTY OF REGAL-BELOIT AMERICA, INC. (OWNER) AND CONTAINS OWNER'S PROPRIETARY INFORMATION. ANY PERSON, CORPORATION OR OTHER FIRM RECEIVING IT IS DEEMED, BY RECEIVING IT, TO AGREE THAT IT, AND/OR ANY PART OF IT, SHALL NOT BE DISCLOSED TO ANY PERSON, CORPORATION OR OTHER ENTITY, DUPLICATED, AND/OR USED, EXCEPT AS EXPRESSLY APPROVED IN WRITING IN ADVANCE BY OWNER. THIS DOCUMENT SHALL BE RETURNED TO OWNER UPON REQUEST. IT MAY BE SUBJECT TO CERTAIN RESTRICTIONS UNDER APPLICABLE EXPORT CONTROL LAWS AND REGULATIONS.			REMOVE BURRS & BREAK SHARP CORNER/FILLET .02 [.51] EDGES .003/.015 [.076/.381] MACHINED SURFACES 125 INCH/mm 32	APPROVED BY: D H C	DESCRIPTION: MODEL-RFHP-48FR OUTLINE
				DATE: 10-25-1995	MATERIAL: -
				PROCESS/FINISH: -	SIZE DWG NO: C FS1076S
				THIRD ANGLE PROJECTION	SHEET: 1