

4

3

2

1

REV	ECO	REV BY	DATE	APPD	DATE
B	0025548	I. ORTIZ	04-27-2012	D. BALDERRAMA	04-27-2012

GENERAL INFORMATION:

SHAFT RUNOUT: .001[.03] T.I.R. PER INCH LENGHT OF EXTENSION

BEARINGS: BALL

MOUNTING POSITION: HORIZONTAL

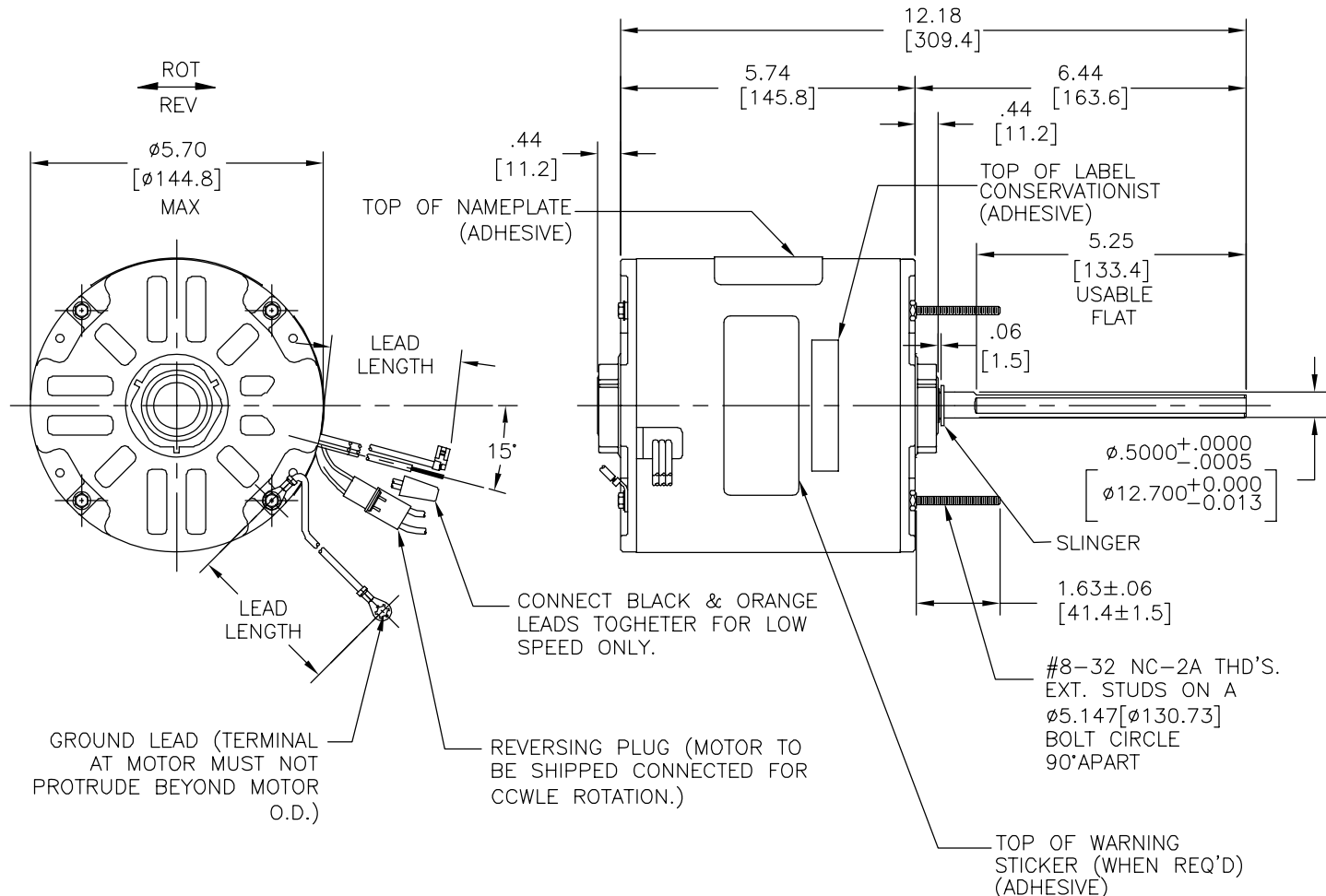
ELECTRICAL DATA:

OVERLOAD PROTECTOR: AUTOMATIC RESET (T.I. 7 AM 036)

LEADS: NO. 18 GA., .06[1.5] THK. PVC 105°C INSUL.

REVERSING LEADS: NO. 18 GA., .03[.8] THK. XLP 125°C INSUL.

GROUND LEAD: NO. 18 GA., .03[.8] THK. (GREEN) INSUL.



NAMEPLATE DATA:	EXTERNAL CONNECTION DIAGRAM
MODEL NO.: F48N61A01 CUST. P/N: FH1076 HP: 3/4 ROT.: REVERSIBLE RPM: 1075/2 SPD. TYPE: UF FRAME: 48Y VOLTS: 460 PH: 1 AMPS: 2.2 HZ: 60 INS.: B AMB.: 60° C DUTY: AIR OVER CAP.: 15 MFD/370 V ENCL: SEMI-ENCL UL LOGO CSA LOGO THERMALLY PROTECTED	<p>BROWN SEP. CAP.</p> <p>YELLOW SEP. CAP.</p> <p>BLACK LINE</p> <p>ORANGE HIGH SPEED</p> <p>RED HIGH SPEED</p> <hr/> <p>BROWN SEP. CAP.</p> <p>YELLOW SEP. CAP.</p> <p>BLACK LINE</p> <p>ORANGE LO SPEED</p> <p>RED LO SPEED</p> <p>BLACK ROTATION BLACK</p> <p>WHITE CCWLE WHITE</p> <p>BLACK CCWLE WHITE</p> <p>WHITE CWLE BLACK</p> <p>614131-244</p>

GREEN (GROUND)	12.0/13.0 [305/330]	#10 EYELET
BLACK/WHITE	4.0/6.0 [102/152]	REVERSING PLUG
BROWN	26.0/28.0 [660/711]	.25[6.4] FLAG
YELLOW	26.0/28.0 [660/711]	.60[15.2] SKIN
BLACK	26.0/28.0 [660/711]	.60[15.2] SKIN
ORANGE	26.0/28.0 [660/711]	.60[15.2] SKIN
RED	26.0/28.0 [660/711]	.60[15.2] SKIN
COLOR	LENGTH	TERMINAL OR STRIP LENGTH

MAIN FRAME - OLE	ENCLOSED
END FRAME - OLE	ENCLOSED
MAIN FRAME - LE	ENCLOSED
END FRAME - LE	OPEN

CUSTOMER	DISTRIBUTION SERVICE
----------	----------------------

PERFORMANCE CURVE NO.	TORQUE @ 1075 RPM (25°C)	APPROVED SAMPLE	UL COMPONENT FILE #	CCN #	CSA FILE #	CLASS #
C31856	67.9 OZ. FT.	99AC220A	E46412	PRGY2	LR43341	4211-01

GEOMETRIC CHARACTERISTICS & SYMBOLS

- FLATNESS
- STRAIGHTNESS
- ∠ ANGULARITY
- ⊥ PERPENDICULARITY (SQUARENESS)
- ∥ PARALLELISM
- ROUNDNESS (CIRCULARITY)
- ⊘ CYLINDRICITY
- △ PROFILE OF ANY SURFACE
- ∩ PROFILE OF ANY LINE
- ↗ RUNOUT
- ⊕ TRUE POSITION
- ◎ CONCENTRICITY
- ≡ SYMMETRY

ASME Y14.5M 1994

REGAL-BELOIT CORPORATION (RBC) PROVIDES TECHNICAL ASSISTANCE TO OUR CUSTOMERS IN SEVERAL AREAS. SINCE RBC DOES NOT RECEIVE ALL DATA CONCERNING THE USE AND APPLICATION OF THE MOTOR, THE SUITABILITY OF THE MOTOR FOR THE APPLICATION MUST BE DETERMINED BY THE CUSTOMER.

DIMENSIONS WITHOUT TOLERANCES ARE FOR REFERENCE ONLY.

DR BY: A NAJERA 05-04-2011

APPD: J RUPERT 05-04-2011

THIRD ANGLE PROJECTION

EDS DATE 11-11-2011  
FORMAT REV G

CONFIDENTIAL: THIS DRAWING AND ITS INFORMATION ARE THE EXCLUSIVE AND CONFIDENTIAL PROPERTY OF REGAL-BELOIT CORPORATION AND ARE NOT TO BE DISCLOSED, DUPLICATED, DISTRIBUTED OR OTHERWISE USED WITHOUT THE WRITTEN CONSENT OF REGAL-BELOIT CORPORATION. -ALL RIGHTS RESERVED.

**REGAL-BELOIT CORPORATION**

DESCRIPTION: MODEL-RFHP-48FR OUTLINE

SIZE: C DWG NO: FH1076

SCALE: NONE SHEET 1

4

3

2

1

4

3

2

1

REVISION:	ECO	REVISADO POR:	FECHA:	APROBADO POR:	FECHA:
B	0025548	I. ORTIZ	04-27-2012	D. BALDERRAMA	04-27-2012

INFORMACION GENERAL:

OSCILACION DE FLECHA: .001[.03] L.T.I EXTENSION DE LONGITUD POR PULGADA

BALEROS: BALERO

POSICION DEL MONTAJE: HORIZONTAL

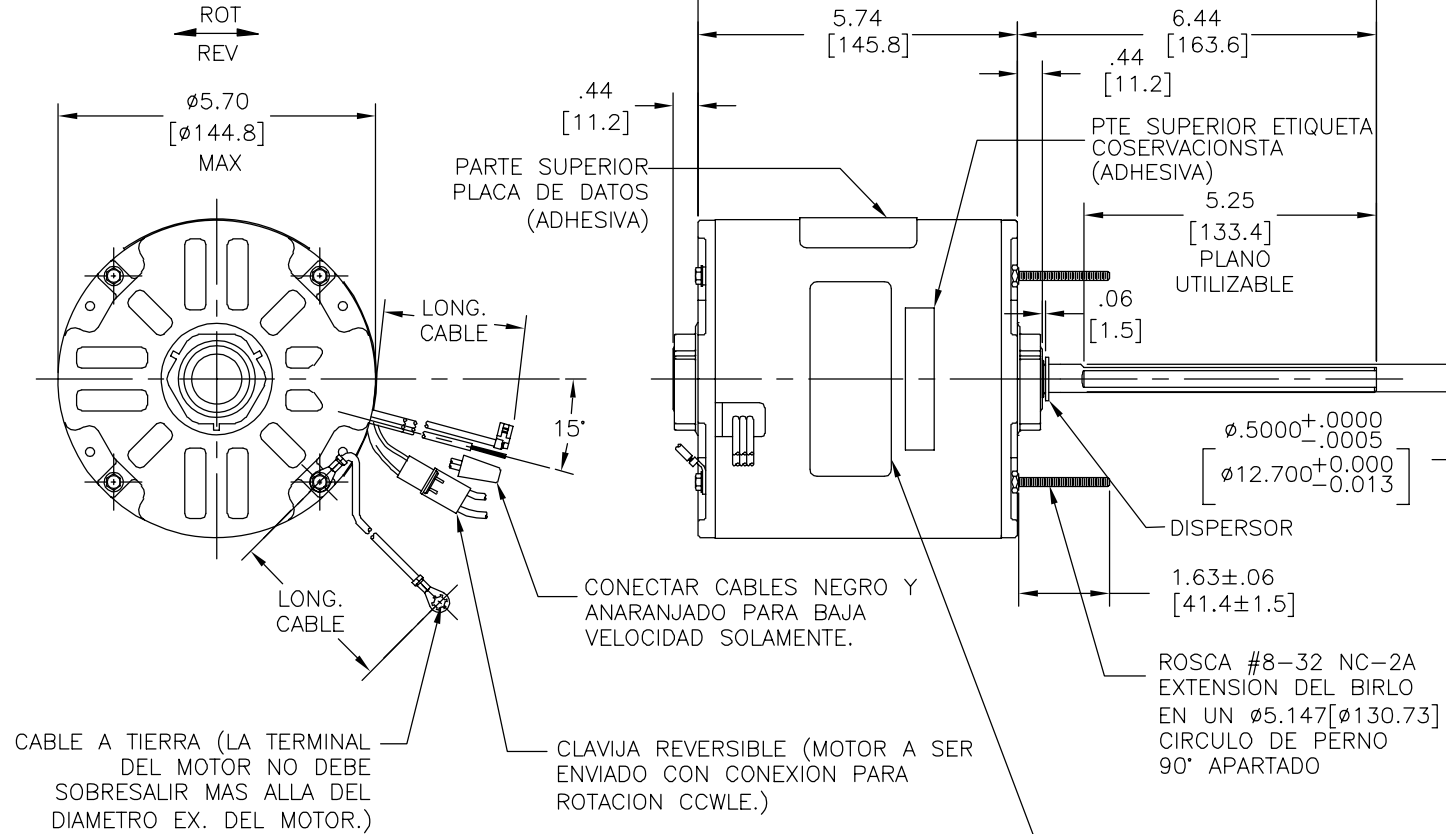
INFORMACION ELECTRICA:

PROTECTOR DE SOBRECARGA: REINICIO AUTOMATICO (T.I. 7AM 036)

CABLES: CALIBRE 18, .06[1.5] DE ESPESOR, LIGADO EN CRUZ, 105°C AISLANTE

CABLES REVERSIBLES: CALIBRE 18 .03[.8] DE ESPESOR, CABLE LIGADO EN CRUZ 125°C AISLANTE.

CABLE DE TIERRA: CALIBRE 18, .03 [.8] ESPESOR (VERDE) AISLANTE



CABLE A TIERRA (LA TERMINAL DEL MOTOR NO DEBE SOBRESALIR MAS ALLA DEL DIAMETRO EX. DEL MOTOR.)

VERDE (TIERRA)	12.0/13.0 [305/330]	OJAL #10
NEGRO/BLANCO	4.0/6.0 [102/152]	CONEXION REVERSIBLE
CAFE	26.0/28.0 [660/711]	.25[6.4] BANDERA
AMARILLO	26.0/28.0 [660/711]	.60[15.2] DESFORRE
NEGRO	26.0/28.0 [660/711]	.60[15.2] DESFORRE
ANARANJADO	26.0/28.0 [660/711]	.60[15.2] DESFORRE
ROJO	26.0/28.0 [660/711]	.60[15.2] DESFORRE
COLOR	LONGITUD	TERMINAL O LONGITUD DE DESFORRE

CARCASA - LOC	CERRADO
TAPA - LOC	CERRADO
CARCASA - LC	CERRADO
TAPA - LC	ABIERTO

CLIENTE	DISTRIBUTION SERVICE
---------	----------------------

INFORMACION DE ETIQUETA:	DIAGRAMA DE CONEXION EXTERNA
MODEL NO.: F48N61A01	BROWN SEP. CAP.
CUST. P/N: FH1076	YELLOW
HP: 3/4	BLACK LINE
ROT.: REVERSIBLE	ORANGE HIGH SPEED
RPM: 1075/2 SPD.	RED
TYPE: UF	BROWN SEP. CAP.
FRAME: 48Y	YELLOW
VOLTS: 460	BLACK LINE
PH: 1	ORANGE LO SPEED
AMPS: 2.2	RED
HZ: 60	BLACK ROTATION BLACK
INS.: B	WHITE
AMB.: 60° C	BLACK CCWLE WHITE
DUTY: AIR OVER	WHITE
CAP.: 15 MFD/370 V	BLACK CWLE WHITE
ENCL: SEMI-ENCL	WHITE
UL LOGO	WHITE
CSA LOGO	BLACK
THERMALLY PROTECTED	

CURVAS DE FUNCIONAMIENTO	TORSION @ 1075 RPM (25°C)	MUESTRA APROBADA	COMPONENTE UL	CSA
C31856	67.9 OZ. FT.	99AC220A	#ARCHIVO CCN #	#ARCHIVO CLASE #
			E46412 PRGY2	LR43341 4211-01

CARACTERISTICAS DE GEOMETRIA Y SIMBOLOS  
 □ PLANICIDAD  
 ⊥ RECTITUD  
 ∠ ANGULARIDAD  
 ⊥ PERPENDICULARIDAD (A ESCUADRA)  
 // PARALELISMO  
 ○ REDONDEZ (CIRCULARIDAD)  
 ∅ CILINDRICIDAD  
 △ PERFIL DE CUALQUIER SUPERFICIE  
 ∇ PERFIL DE CUALQUIER LINEA  
 ↗ VARIACION  
 ⊕ POSICION REAL  
 ⊙ CONCENTRICIDAD  
 = SIMETRIA

REGAL-BELOIT CORPORATION (RBC) PROVEE ASISTENCIA TECNICA A NUESTROS CLIENTES EN VARIAS AREAS. DESDE QUE RBC NO RECIBE TODOS LOS DATOS EN RELACION AL USO Y A LA APLICACION DEL MOTOR, LA APLICACION ADECUADA DEL MOTOR DEBE SER DETERMINADA POR EL CLIENTE.  
 DIMENSIONES SIN TOLERANCIA SON DE REFERENCIA SOLAMENTE

DIBUJADO POR: A NAJERA 05-04-2011  
 APROBADO POR: J RUPERT 05-04-2011  
 TERCER ANGULO DE PROYECCION  
 FECHA EDS: 11-11-2011  
 REV. FORMATO: G  
 CONFIDENCIAL: ESTE DIBUJO Y SU INFORMACION SON PROPIEDAD DE USO EXCLUSIVO Y CONFIDENCIAL DE REGAL-BELOIT CORPORATION. Y NO DEBERAN SER REVELADOS, DUPLICADOS, DISTRIBUIDOS O USARSE DE OTRA MANERA SIN EL CONSENTIMIENTO ESCRITO DE REGAL-BELOIT CORPORATION. -TODOS LOS DERECHOS RESERVADOS.

REGAL-BELOIT CORPORATION  
 DESCRIPCION: MODEL-RFHP-48FR OUTLINE  
 TAMAÑO: C NUMERO DE DIBUJO: FH1076  
 ESCALA: NONE HOJA: 1

4

3

2

1

4

3

2

1

总技术要求:

轴跳动:

轴承:

安装位置: HORIZONTAL

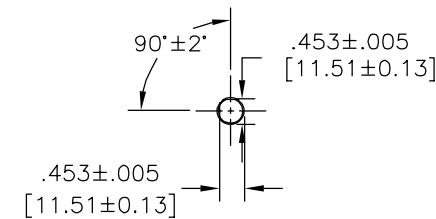
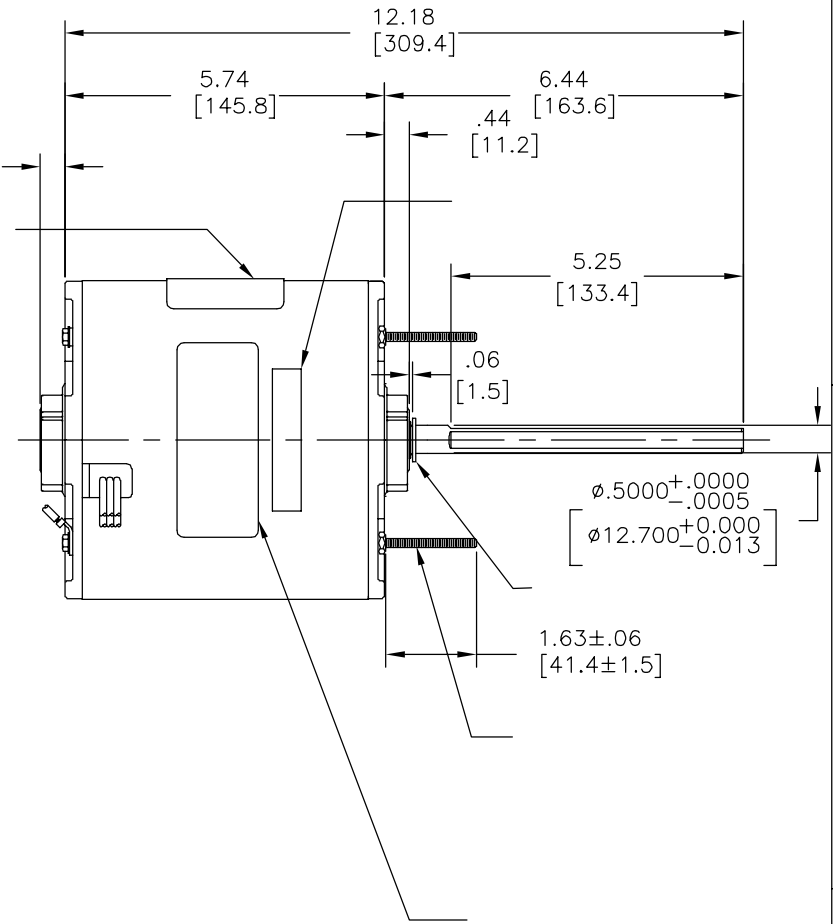
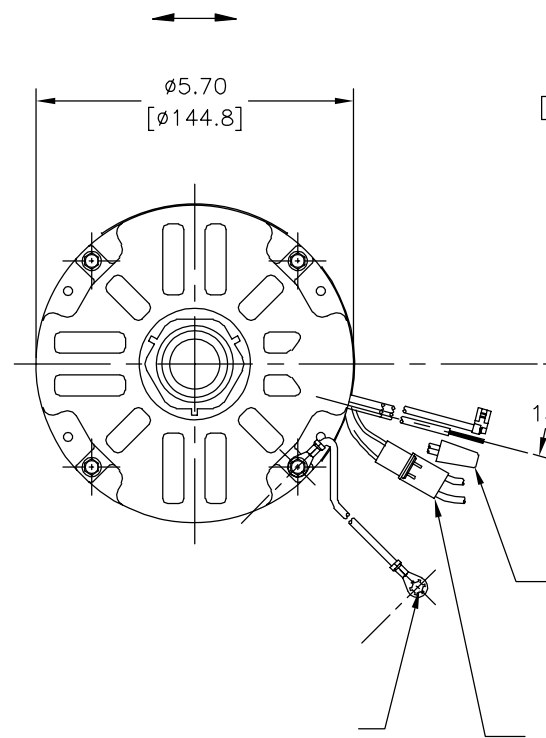
电气数据:

过载保护:

引线:

接地线:

版本	ECO	编制	日期	批准	日期
B	0025548	I. ORTIZ	04-27-2012	D. BALDERRAMA	04-27-2012



铭牌数据	外部数据线
MODEL NO.: F48N61A01	BROWN SEP. CAP.
CUST. P/N: FH1076	YELLOW
HP: 3/4	BLACK LINE
ROT.: REVERSIBLE	ORANGE
RPM: 1075/2 SPD.	RED HIGH SPEED
TYPE: UF	
FRAME: 48Y	BROWN SEP. CAP.
VOLTS: 460	YELLOW
PH: 1	BLACK LINE
AMPS: 2.2	ORANGE LO SPEED
HZ: 60	RED
INS.: B	BLACK ROTATION BLACK
AMB.: 60° C	WHITE
DUTY: AIR OVER	BLACK CCWLE WHITE
CAP.: 15 MFD/370 V	WHITE CWLE BLACK
ENCL: SEMI-ENCL	
UL LOGO	
CSA LOGO	
THERMALLY PROTECTED	

颜色	长度	端子或剥线长度
	12.0/13.0 [305/330]	
	4.0/6.0 [102/152]	
	26.0/28.0 [660/711]	
	26.0/28.0 [660/711]	
	26.0/28.0 [660/711]	
	26.0/28.0 [660/711]	
	26.0/28.0 [660/711]	
	26.0/28.0 [660/711]	
	26.0/28.0 [660/711]	
	26.0/28.0 [660/711]	

无引线端机壳	
无引线端端盖	
有引线端机壳	
有引线端端盖	

用户	DISTRIBUTION SERVICE
----	----------------------

性能曲线编号	转矩在 @ RPM (25° C)	批准样品	UL部件	CSA
C31856	67.9 OZ. FT.	99AC220A	文件号 指南	文件号 指南
			E46412 PRGY2	LR43341 4211-01

- 形位公差
- 平面度
- 直线度
- ∠ 倾斜度
- ⊥ 垂直度
- // 平行度
- 圆度
- ⊘ 圆柱度
- ⊖ 面轮廓度
- ⊕ 线轮廓度
- ↗ 圆跳动
- ⊕ 位置度
- ⊙ 同轴度
- ≡ 对称度

ASME Y14.5M 1994

REGAL-BELOIT CORPORATION (RBC) 在个别领域为客户提供技术支持。鉴于RBC未收到任何涉及电机使用和应用环境的数据，电机的适用性由客户自己决定。

未注公差尺寸仅供参考。

绘图:	A NAJERA	05-04-2011
批准:	J RUPERT	05-04-2011
第三角投影		图纸格式发布日期 11-11-2011 图纸格式版本 G
机密:	本图纸及相关信息所有权归REGAL-BELOIT CORPORATION。未经REGAL-BELOIT CORPORATION书面授权，不得泄露、复制、传播或作其他用途。一版权所有	

名称		REGAL-BELOIT CORPORATION	
MODEL-RFHP-48FR OUTLINE			
图幅	C	图号	FH1076
比例	NONE	页号	1

4

3

2

1