

4

3

2

1

REV	ECO	REV BY	DATE	APPD	DATE
B	0025526	J.M.RAMIREZ	04-23-2012	R.RASCON	04-23-2012

GENERAL INFORMATION:

SHAFT RUNOUT: .001 [.03] T.I.R. PER INCH LENGTH OF EXTENSION

END PLAY: .010 TO .063 [.25 TO 1.60]

BEARINGS: SLEEVE

MOUNTING POSITION: ALL ANGLE

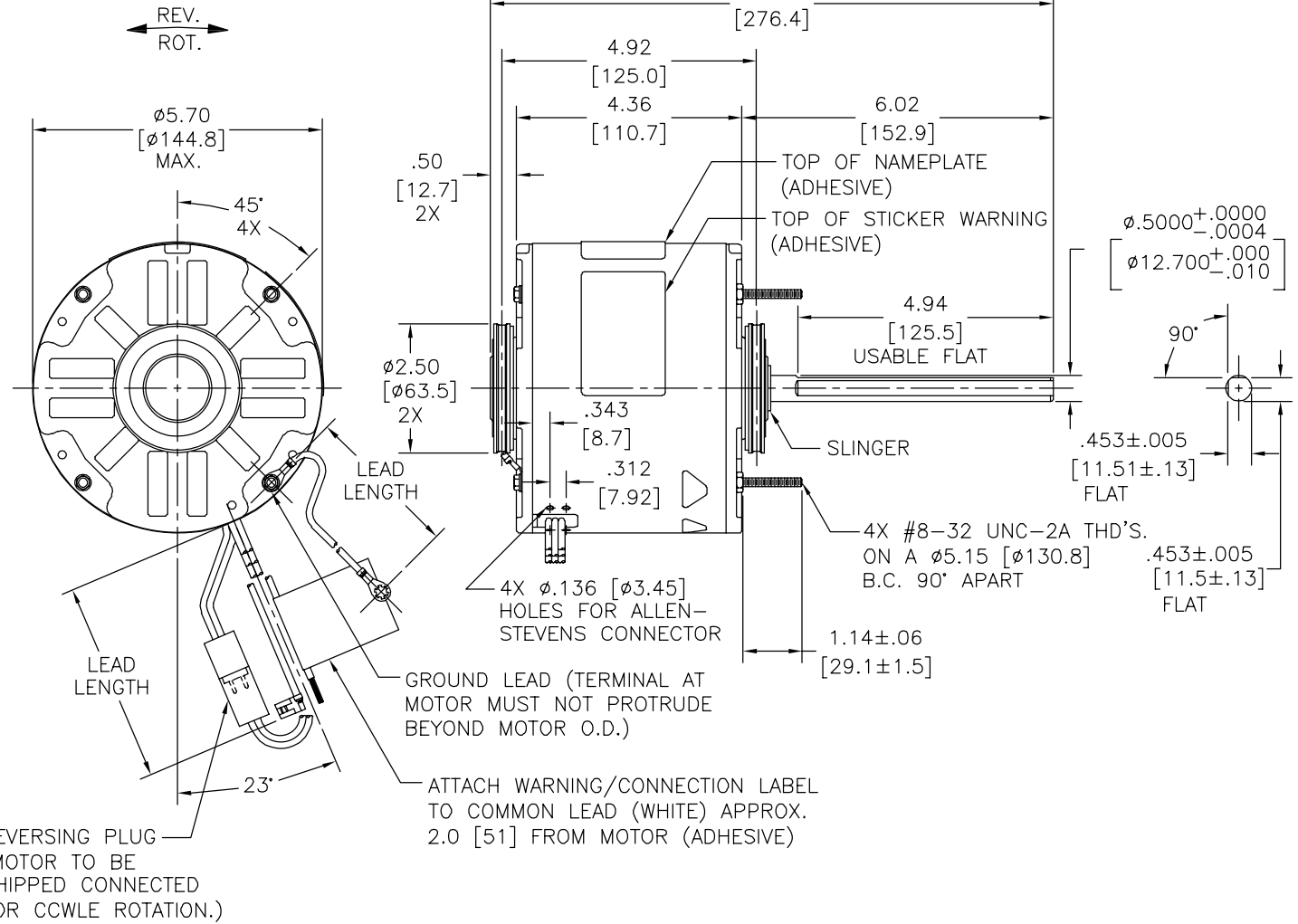
ELECTRICAL DATA:

OVERLOAD PROTECTOR: AUTOMATIC RESET (T.I. 7AM 036)

LEADS: NO. 18 GA., .06 [1.5] THK. PVC 105°C INSUL.

REVERSING PLUGS: NO. 18 GA., .03 [.8] THK. XLP 125°C INSUL.

GROUND LEAD: NO. 18 GA., .03 [.8] THK. (GREEN/YELLOW) INSUL.



NAMEPLATE DATA:	EXTERNAL CONNECTION DIAGRAM
MODEL NO.: F48Y42A01 CUST. P/N: 665A HP: 1/3 ROT.: REVERSIBLE RPM: 1625 TYPE: UF FRAME: 48Y VOLTS: 208-230 PH: 1 AMPS: 1.9 HZ: 60 INS.: B AMB.: 60° C DUTY: AIR OVER CAP.: 5 MFD/370 V ENCL: SEMI-ENCL. UL LOGO CSA LOGO THERMALLY PROTECTED	SEP. CAP. BROWN BRN/WHT WHITE LINE BLACK ROTATION BLACK BLACK WHITE WHITE CCWLE BLACK WHITE WHITE BLACK CWLE 614131-242

GREEN/YELLOW (GROUND)	11.0/13.0 [279/330]	#10 EYELET
BLACK/WHITE	3.0/5.0 [76/127]	REVERSING PLUG
BROWN	37.0/39.0 [940/991]	.25 [6.4] FLAG
BROWN/WHITE	37.0/39.0 [940/991]	.25 [6.4] FLAG
WHITE	37.0/39.0 [940/991]	.50 [12.7] SKIN
BLACK	37.0/39.0 [940/991]	.50 [12.7] SKIN
COLOR	LENGTH	TERMINAL OR STRIP LENGTH

MAIN FRAME - OLE	SEMI-ENCL.
END FRAME - OLE	ENCLOSED
MAIN FRAME - LE	SEMI-ENCL.
END FRAME - LE	OPEN

CUSTOMER	DISTRIBUTION SERVICE
----------	----------------------

PERFORMANCE CURVE NO.	TORQUE @ 1625 RPM (25°C)	APPROVED SAMPLE	UL COMPONENT FILE #	CCN #	CSA FILE #	CLASS #
C32621	19.9 OZ. FT.	0600698D	E46412	PRGY2	LR43341	4211-01

GEOMETRIC CHARACTERISTICS & SYMBOLS

- FLATNESS
- STRAIGHTNESS
- ∠ ANGULARITY
- ⊥ PERPENDICULARITY (SQUARENESS)
- ∥ PARALLELISM
- ROUNDNESS (CIRCULARITY)
- ⊘ CYLINDRICITY
- △ PROFILE OF ANY SURFACE
- ∩ PROFILE OF ANY LINE
- ↗ RUNOUT
- ⊕ TRUE POSITION
- ◎ CONCENTRICITY
- ≡ SYMMETRY

ASME Y14.5M 1994

REGAL-BELOIT CORPORATION (RBC) PROVIDES TECHNICAL ASSISTANCE TO OUR CUSTOMERS IN SEVERAL AREAS. SINCE RBC DOES NOT RECEIVE ALL DATA CONCERNING THE USE AND APPLICATION OF THE MOTOR, THE SUITABILITY OF THE MOTOR FOR THE APPLICATION MUST BE DETERMINED BY THE CUSTOMER.

DIMENSIONS WITHOUT TOLERANCES ARE FOR REFERENCE ONLY.

DR BY: J.RUPERT 05-12-2011

APPD: J.RUPERT 05-12-2011

THIRD ANGLE PROJECTION

EDS DATE 11-11-2011

FORMAT REV G

CONFIDENTIAL: THIS DRAWING AND ITS INFORMATION ARE THE EXCLUSIVE AND CONFIDENTIAL PROPERTY OF REGAL-BELOIT CORPORATION AND ARE NOT TO BE DISCLOSED, DUPLICATED, DISTRIBUTED OR OTHERWISE USED WITHOUT THE WRITTEN CONSENT OF REGAL-BELOIT CORPORATION. -ALL RIGHTS RESERVED.

**REGAL-BELOIT CORPORATION**

DESCRIPTION: MODEL-RFHP-48FR OUTLINE

SIZE: C DWG NO: 665A

SCALE: NONE SHEET: 1

4

3

2

1

4

3

2

1

REVISION:	ECO	REVISADO POR:	FECHA:	APROBADO POR:	FECHA:
B	0025526	J.M.RAMIREZ	04-23-2012	R.RASCON	04-23-2012

**INFORMACION GENERAL:**

OSCILACION DE FLECHA: .001 [.03] T.I.R. PER INCH LENGTH OF EXTENSION

JUEGO AXIAL: .010 A .063 [.25 A 1.60]

BALEROS: CHUMACERA RIGIDA

POSICION DEL MONTAJE: TODOS LOS ANGULOS

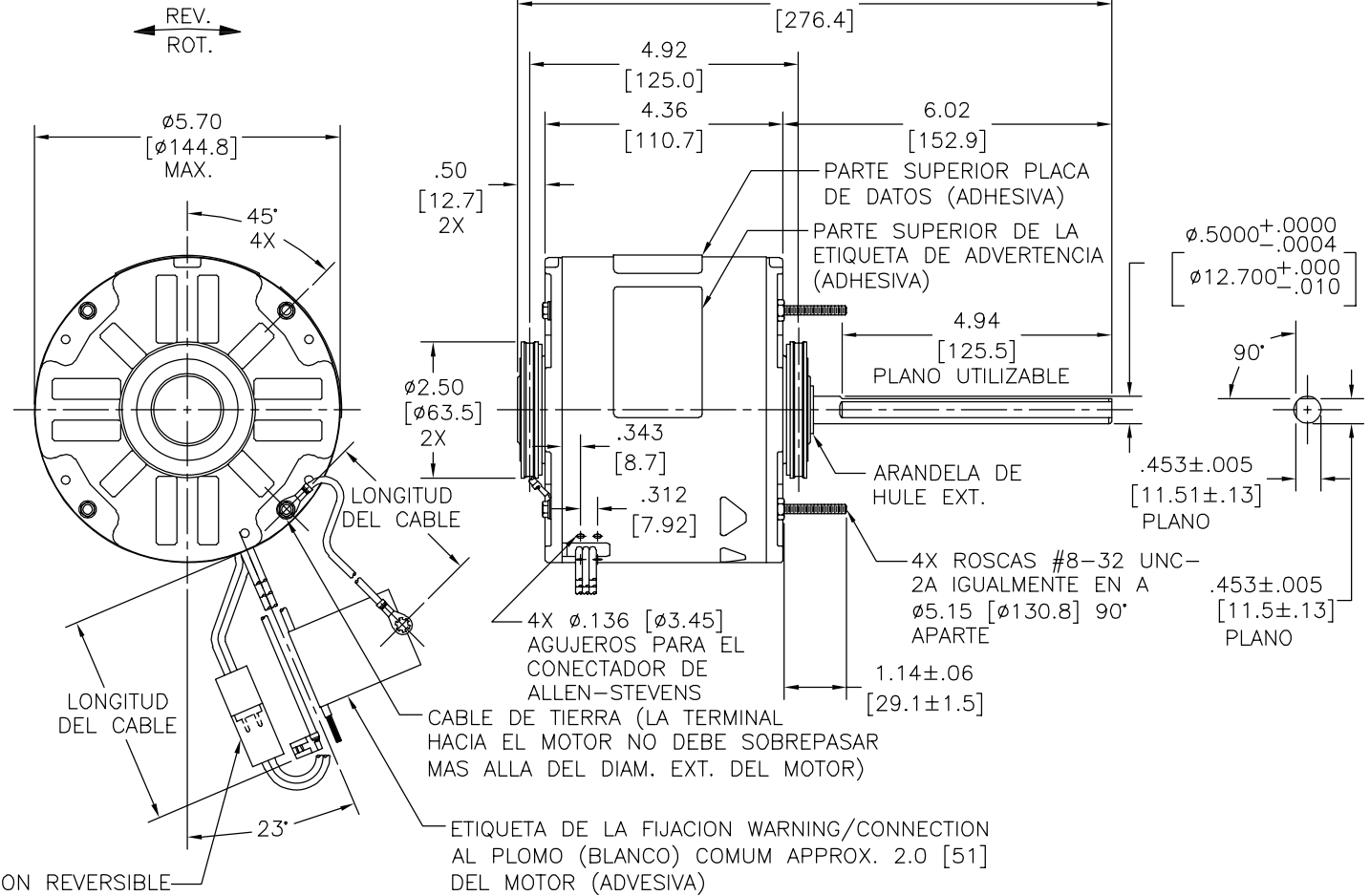
**INFORMACION ELECTRICA:**

PROTECTOR DE SOBRECARGA: REINICIO AUTOMATIC (T.I. 7AM 036)

CABLES: NO. 18 GA., .06 [1.5] THK. PVC 105°C AISLAM.

CONEXION REVERSIBLE: NO. 18 GA., .03 [.8] THK. XLP 125°C AISLAM.

CABLE DE TIERRA: NO. 18 GA., .03 [.8] THK. (VERDE/AMARILLO) AISLAM.



INFORMACION DE ETIQUETA:	DIAGRAMA DE CONEXION EXTRNA
MODEL NO.: F48Y42A01 CUST. P/N: 665A HP: 1/3 ROT.: REVERSIBLE RPM: 1625 TYPE: UF FRAME: 48Y VOLTS: 208-230 PH: 1 AMPS: 1.9 HZ: 60 INS.: B AMB.: 60° C DUTY: AIR OVER CAP.: 5 MFD/370 V ENCL: SEMI-ENCL. UL LOGO CSA LOGO THERMALLY PROTECTED	SEP. CAP. BROWN BRN/WHT WHITE LINE BLACK ROTATION BLACK BLACK WHITE WHITE CCWLE BLACK WHITE WHITE BLACK CWLE

VERDE/AMARILLO (TIERRA)	11.0/13.0 [279/330]	OJAL #10
NEGRO/BLANCO	3.0/5.0 [76/127]	CONEXION REVERSIBLE
CAFE	37.0/39.0 [940/991]	.25 [6.4] BANDERA
CAFE/BLANCO	37.0/39.0 [940/991]	.25 [6.4] BANDERA
BLANCO	37.0/39.0 [940/991]	.50 [12.7] DEL PIEL
NEGRO	37.0/39.0 [940/991]	.50 [12.7] DEL PIEL
COLOR	LONGITUD	TERMINAL O LONGITUD DE DESFORRE

CARCASA - LOC	SEMI-ENCERRADO
TAPA - LOC	ENCERRADO
CARCASA - LC	SEMI-ENCERRADO
TAPA - LC	ABIERTA

CLIENTE	DISTRIBUTION SERVICE
---------	----------------------

CURVAS DE FUNCIONAMIENTO	TORSION @ 1625 RPM (25°C)	MUESTRA APROBADA	COMPONENTE UL	CSA
C32621	19.9 OZ. FT.	0600698D	#ARCHIVO CCN # #ARCHIVO CLASE #	E46412 PRGY2 LR43341 4211-01

CARACTERISTICAS DE GEOMETRIA Y SIMBOLOS

- PLANICIDAD
- RECTITUD
- ∠ ANGULARIDAD
- ⊥ PERPENDICULARIDAD (A ESCUADRA)
- // PARALELISMO
- REDONDEZ (CIRCULARIDAD)
- ∅ CILINDRICIDAD
- △ PERFIL DE CUALQUIER SUPERFICIE
- ∇ PERFIL DE CUALQUIER LINEA
- ∧ VARIACION
- ⊕ POSICION REAL
- ◎ CONCENTRICIDAD
- = SIMETRIA

ASME Y14.5M 1994

REGAL-BELOIT CORPORATION (RBC) PROVEE ASISTENCIA TECNICA A NUESTROS CLIENTES EN VARIAS AREAS. DESDE QUE RBC NO RECIBE TODOS LOS DATOS EN RELACION AL USO Y A LA APLICACION DEL MOTOR, LA APLICACION ADECUADA DEL MOTOR DEBE SER DETERMINADA POR EL CLIENTE.

DIMENSIONES SIN TOLERANCIA SON DE REFERENCIA SOLAMENTE

DIBUJADO POR: J.RUPERT 05-12-2011

APROBADO POR: J.RUPERT 05-12-2011

TERCER ANGULO DE PROYECCION

FECHA EDS: 11-11-2011

REV. FORMATO: G

CONFIDENCIAL: ESTE DIBUJO Y SU INFORMACION SON PROPIEDAD DE USO EXCLUSIVO Y CONFIDENCIAL DE REGAL-BELOIT CORPORATION. Y NO DEBERAN SER REVELADOS, DUPLICADOS, DISTRIBUIDOS O USARSE DE OTRA MANERA SIN EL CONSENTIMIENTO ESCRITO DE REGAL-BELOIT CORPORATION. -TODOS LOS DERECHOS RESERVADOS.

REGAL-BELOIT CORPORATION

DESCRIPCION: MODEL-RFHP-48FR OUTLINE

TAMAÑO: C NUMERO DE DIBUJO: 665A

ESCALA: NONE HOJA: 1

4

3

2

1

4

3

2

1

总技术要求:

轴跳动: .001 [.03]/1[25.4] 外伸轴

端部窜动量: .010 到 .063 [.25 到 1.60]

轴承: 含油轴承

安装位置: 全方位

电气数据:

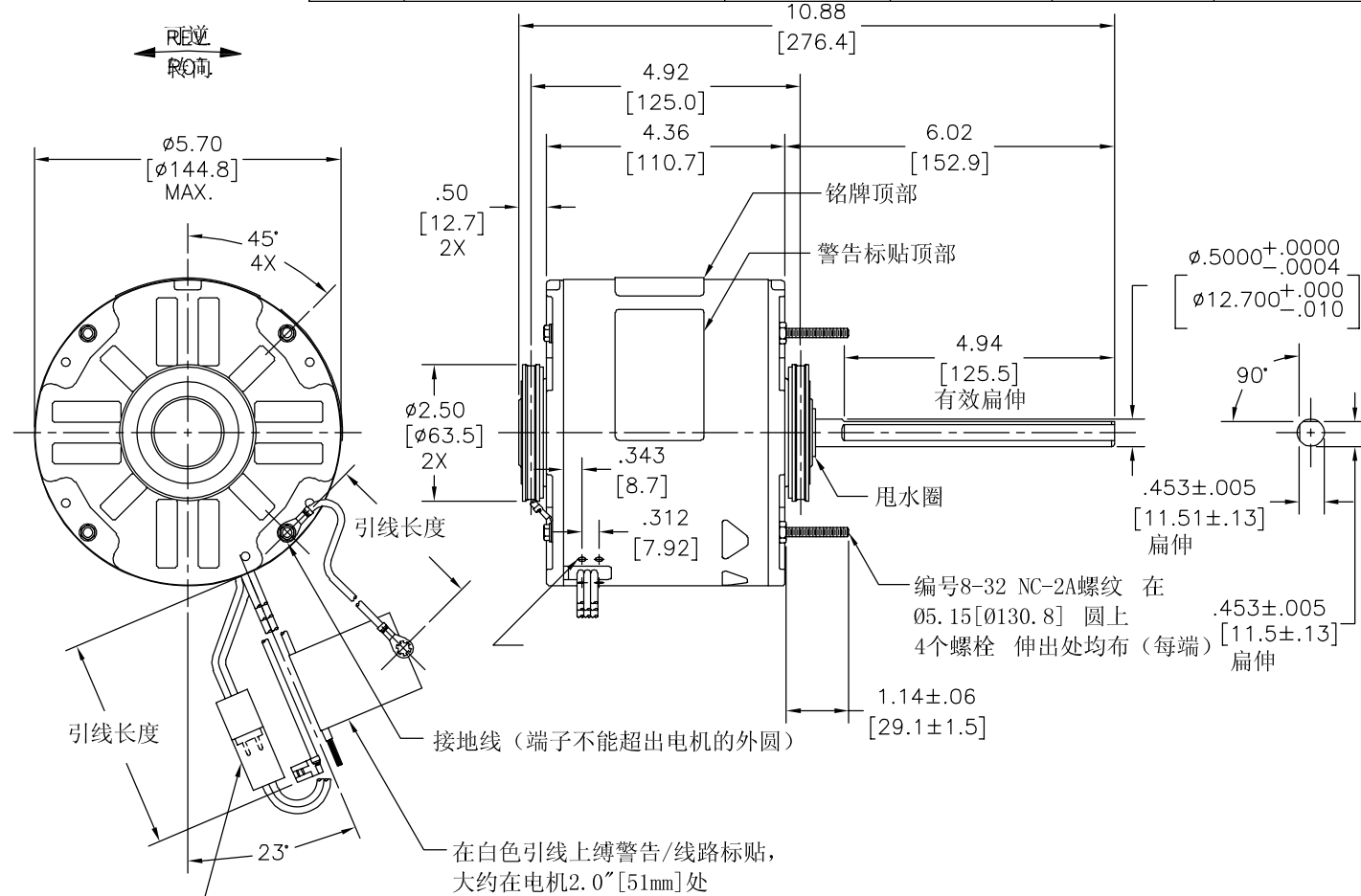
过载保护: 自动复位 (T. I. 7AM 036)

引线: 18# (美制标准), 厚.06[1.5] PVC 105° C 绝缘

换向线: 18# (美制标准), 厚.03[0.8] XLP 125° C 绝缘

接地线: 18# (美制标准), 厚.03[0.8] 绿色绝缘

版本	ECO	编制	日期	批准	日期
B	0025526	J.M.RAMIREZ	04-23-2012	R.RASCON	04-23-2012



颜色	长度	端子或剥线长度
绿色 (接地线)	11.0/13.0 [279/330]	#10金属圈
黑/白	3.0/5.0 [76/127]	翻边插头
棕色	37.0/39.0 [940/991]	.25 [6.4] 旗形插
棕/白	37.0/39.0 [940/991]	.25 [6.4] 旗形插
白色	37.0/39.0 [940/991]	.50 [12.7] 剥皮
黑色	37.0/39.0 [940/991]	.50 [12.7] 剥皮
颜色	长度	端子或剥线长度

无引线端机壳	
无引线端端盖	密封
有引线端机壳	
有引线端端盖	开放
密封性	

用户	DISTRIBUTION SERVICE
----	----------------------

铭牌数据	外部数据
MODEL NO.: F48Y42A01 CUST. P/N: 665A HP: 1/3 ROT.: REVERSIBLE RPM: 1625 TYPE: UF FRAME: 48Y VOLTS: 208-230 PH: 1 AMPS: 1.9 HZ: 60 INS.: B AMB.: 60° C DUTY: AIR OVER CAP.: 5 MFD/370 V ENCL: SEMI-ENCL. UL LOGO CSA LOGO THERMALLY PROTECTED	SEP. CAP. BROWN BRN/WHT WHITE BLACK LINE ROTATION BLACK BLACK WHITE WHITE CCWLE BLACK WHITE WHITE BLACK CWLE

性能曲线编号	转矩在1625 RPM 25° C	批准样品	UL部件	CSA
C32621	19.9 OZ. FT.	0600698D	文件号 指南	文件号 指南
			E46412 PRGY2	LR43341 4211-01

- 形位公差
- 平面度
- 直线度
- ∠ 倾斜度
- ⊥ 垂直度
- // 平行度
- 圆度
- ⊘ 圆柱度
- ⊙ 圆轮廓度
- △ 面轮廓度
- ⌒ 线轮廓度
- ↗ 圆跳动
- ⊕ 位置度
- ⊙ 同轴度
- ≡ 对称度

ASME Y14.5M 1994

REGAL-BELOIT CORPORATION (RBC) 在个别领域为客户提供技术支持。鉴于RBC未收到任何涉及电机使用和应用环境的数据, 电机的适用性由客户自己决定。

未注公差尺寸仅供参考。

绘图:	J.RUPERT	05-12-2011
批准:	J.RUPERT	05-12-2011
第三角投影		图纸格式发布日期 11-11-2011 图纸格式版本 G
机密:	本图纸及相关信息所有权归REGAL-BELOIT CORPORATION。未经REGAL-BELOIT CORPORATION书面授权, 不得泄露、复制、传播或作其他用途。一版权所有	

名称	
MODEL-RFHP-48FR OUTLINE	
图幅	图号
C	665A
比例	页号
NONE	1

4

3

2

1