

4

3

2

1

REV	ECO	REV BY	DATE	APPD	DATE
B	0025548	I. ORTIZ	04-27-2012	D. BALDERRAMA	04-27-2012

GENERAL INFORMATION:

SHAFT RUNOUT: .001[.03] T.I.R. PER INCH LENGHT OF EXTENSION

BEARINGS: BALL

MOUNTING POSITION: HORIZONTAL OR VERTICAL SHAFT UP

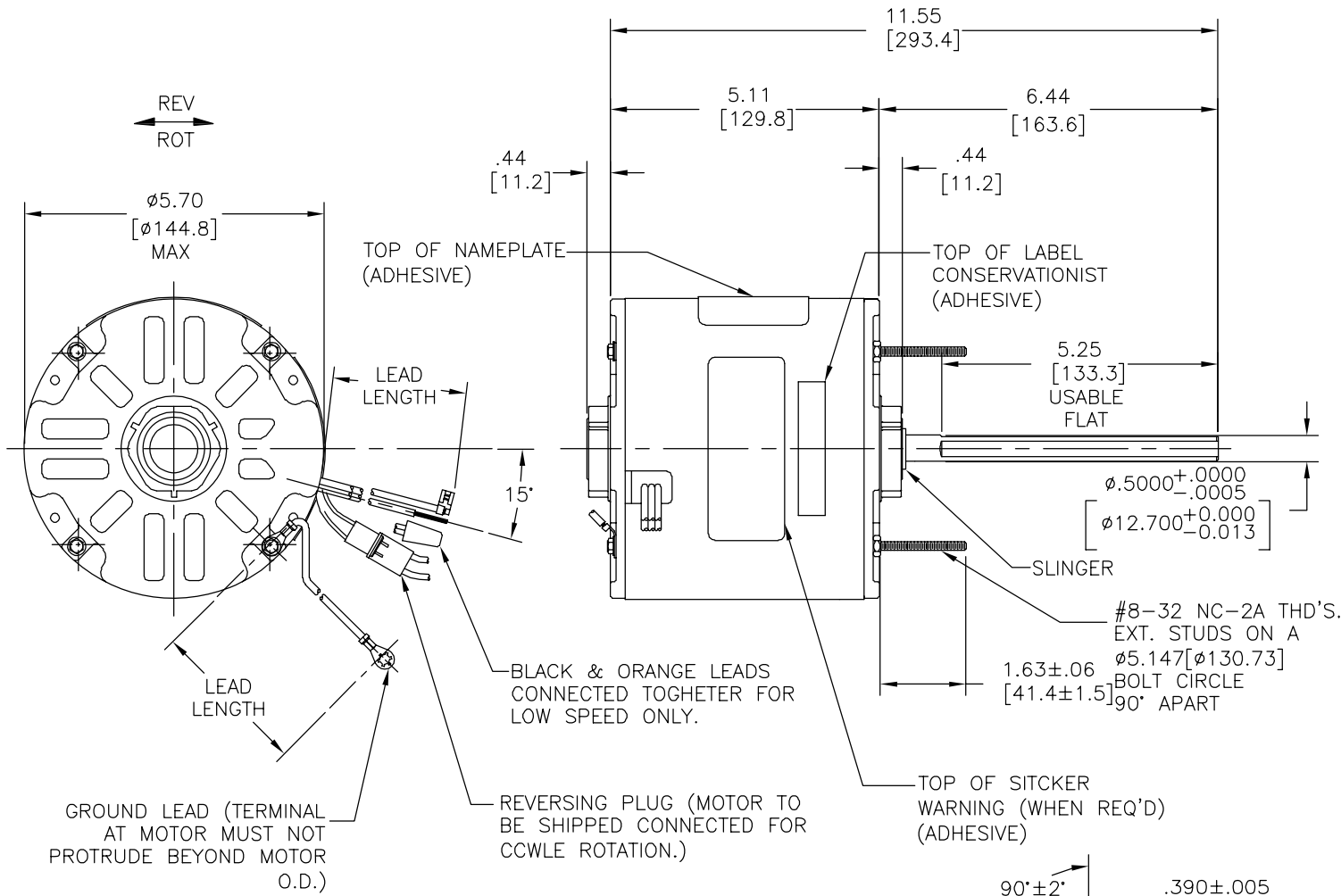
ELECTRICAL DATA:

OVERLOAD PROTECTOR: AUTOMATIC RESET (T.I. 7 AM 036)

LEADS: NO. 18 GA., .06[1.5] THK. PVC 105°C INSUL.

LEADS REVERSING: NO. 18 GA., .03[.8] THK. XLP 125°C INSUL.

GROUND LEAD: NO. 18 GA., .03[.8] THK. (GREEN) INSUL.



COLOR	LENGTH	TERMINAL OR STRIP LENGTH
GREEN (GROUND)	12.0/13.0 [305/330]	#10 EYELET
BLACK/WHITE	4.0/6.0 [102/152]	REVERSING PLUG
BROWN	26.0/28.0 [660/711]	.25[6.4] FLAG
YELLOW	26.0/28.0 [660/711]	.60[15.2] SKIN
BLACK	26.0/28.0 [660/711]	.60[15.2] SKIN
ORANGE	26.0/28.0 [660/711]	.60[15.2] SKIN
RED	26.0/28.0 [660/711]	.60[15.2] SKIN

MAIN FRAME - OLE	ENCLOSED
END FRAME - OLE	ENCLOSED
MAIN FRAME - LE	ENCLOSED
END FRAME - LE	OPEN

CUSTOMER	DISTRIBUTION SERVICES
----------	-----------------------

NAMEPLATE DATA:	EXTERNAL CONNECTION DIAGRAM
MODEL NO.: F48N62A01 CUST. P/N: FH1036 HP: 1/3 ROT.: REVERSIBLE RPM: 1075/2 SPD. TYPE: UF FRAME: 48Y VOLTS: 460 PH: 1 AMPS: 1.2 HZ: 60 INS.: B AMB.: 60° C DUTY: AIR OVER CAP.: 7.5 MFD/370V ENCL: SEMI-ENCL UL LOGO CSA LOGO THERMALLY PROTECTED	

PERFORMANCE CURVE NO.	TORQUE @ 1075 RPM (25°C)	APPROVED SAMPLE	UL COMPONENT FILE #	CCN #	CSA FILE #	CLASS #
C31855	35.2 OZ. FT.	99AC234A	E46412	PRGY2	LR43341	4211-01

GEOMETRIC CHARACTERISTICS & SYMBOLS
 □ FLATNESS
 — STRAIGHTNESS
 < ANGLARITY
 ⊥ PERPENDICULARITY (SQUARENESS)
 // PARALLELISM
 ○ ROUNDNESS (CIRCULARITY)
 ∅ CYLINDRICITY
 △ PROFILE OF ANY SURFACE
 ∩ PROFILE OF ANY LINE
 ↗ RUNOUT
 ⊕ TRUE POSITION
 ⊙ CONCENTRICITY
 = SYMMETRY
 ASME Y14.5M 1994

REGAL-BELOIT CORPORATION (RBC) PROVIDES TECHNICAL ASSISTANCE TO OUR CUSTOMERS IN SEVERAL AREAS. SINCE RBC DOES NOT RECEIVE ALL DATA CONCERNING THE USE AND APPLICATION OF THE MOTOR, THE SUITABILITY OF THE MOTOR FOR THE APPLICATION MUST BE DETERMINED BY THE CUSTOMER.
 DIMENSIONS WITHOUT TOLERANCES ARE FOR REFERENCE ONLY.

DR BY: A NAJERA 05-05-2011
 APPD: J RUPERT 05-05-2011
 THIRD ANGLE PROJECTION
 EDS DATE 11-11-2011
 FORMAT REV G
 CONFIDENTIAL: THIS DRAWING AND ITS INFORMATION ARE THE EXCLUSIVE AND CONFIDENTIAL PROPERTY OF REGAL-BELOIT CORPORATION AND ARE NOT TO BE DISCLOSED, DUPLICATED, DISTRIBUTED OR OTHERWISE USED WITHOUT THE WRITTEN CONSENT OF REGAL-BELOIT CORPORATION. -ALL RIGHTS RESERVED.

REGAL-BELOIT CORPORATION
 DESCRIPTION: MODEL-RFHP-48FR OUTLINE
 SIZE: C DWG NO: FH1036
 SCALE: NONE SHEET 1

4

3

2

1

4

3

2

1

REVISION:	ECO	REVISADO POR:	FECHA:	APROBADO POR:	FECHA:
B	0025548	I. ORTIZ	04-27-2012	D. BALDERRAMA	04-27-2012

INFORMACION GENERAL:

OSCILACION DE FLECHA: .001[.03] L.T.I EXTENSION DE LONGITUD POR PULGADA

BALEROS: BALERO

POSICION DEL MONTAJE: HORIZONTAL O VERTICAL CON FLECHA ARRIBA

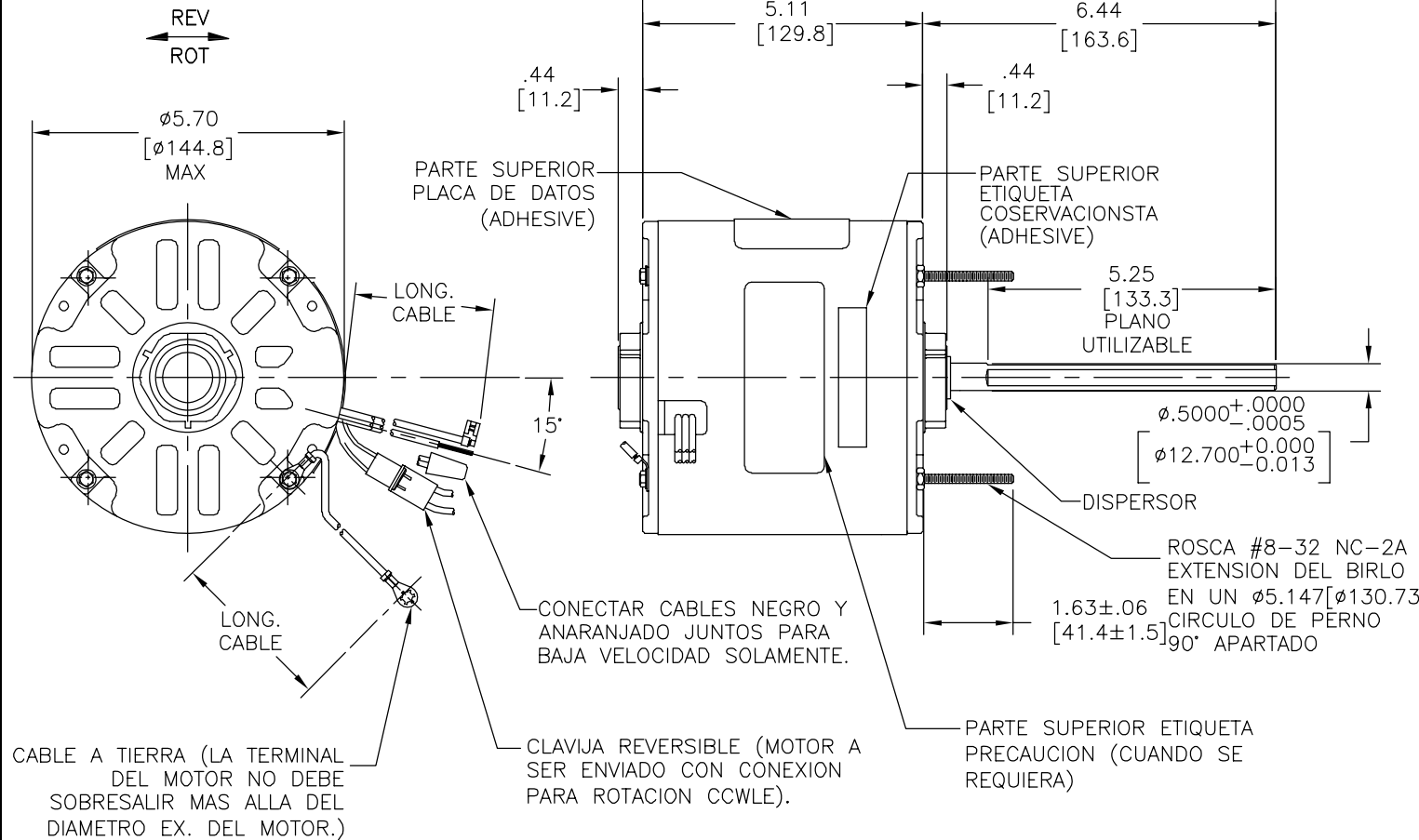
INFORMACION ELECTRICA:

PROTECTOR DE SOBRECARGA: REINICIO AUTOMATICO (T.I. 7AM 036)

CABLES: CALIBRE 18, .06[1.5] DE ESPESOR, 105°C AISLANTE DE PVC

CABLES REVERSIBLES: CALIBRE 18 .03[.8] DE ESPESOR, CABLE LIGADO EN CRUZ 125°C AISLANTE.

CABLE DE TIERRA: CALIBRE 18, .03 [.8] ESPESOR (VERDE) AISLANTE



CABLE A TIERRA (LA TERMINAL DEL MOTOR NO DEBE SOBRESALIR MAS ALLA DEL DIAMETRO EX. DEL MOTOR.)

CONECTAR CABLES NEGRO Y ANARANJADO JUNTOS PARA BAJA VELOCIDAD SOLAMENTE.

PARTE SUPERIOR ETIQUETA PRECAUCION (CUANDO SE REQUIERA)

VERDE (TIERRA)	12.0/13.0 [305/330]	OJAL #10
NEGRO/BLANCO	4.0/6.0 [102/152]	CONEXION REVERSIBLE
CAFE	26.0/28.0 [660/711]	.25[6.4] BANDERA
AMARILLO	26.0/28.0 [660/711]	.60[15.2] DESFORRE
NEGRO	26.0/28.0 [660/711]	.60[15.2] DESFORRE
ANARANJADO	26.0/28.0 [660/711]	.60[15.2] DESFORRE
ROJO	26.0/28.0 [660/711]	.60[15.2] DESFORRE
COLOR	LONGITUD	TERMINAL O LONGITUD DE DESFORRE

CARCASA - LOC	CERRADO
TAPA - LOC	CERRADO
CARCASA - LC	CERRADO
TAPA - LC	ABIERTO

CLIENTE	DISTRIBUTION SERVICES
---------	-----------------------

INFORMACION DE ETIQUETA:	DIAGRAMA DE CONEXION EXTRNA
MODEL NO.: F48N62A01 CUST. P/N: FH1036 HP: 1/3 ROT.: REVERSIBLE RPM: 1075/2 SPD. TYPE: UF FRAME: 48Y VOLTS: 460 PH: 1 AMPS: 1.2 HZ: 60 INS.: B AMB.: 60° C DUTY: AIR OVER CAP.: 7.5 MFD/370V ENCL: SEMI-ENCL UL LOGO CSA LOGO THERMALLY PROTECTED	

CURVAS DE FUNCIONAMIENTO	TORSION @ 1075 RPM (25°C)	MUESTRA APROBADA	COMPONENTE UL	CSA
C31855	35.2 OZ. FT.	99AC234A	#ARCHIVO PRGY2 LR43341	CLASE # 4211-01

<p>CARACTERISTICAS DE GEOMETRIA Y SIMBOLOS</p> <ul style="list-style-type: none"> □ PLANICIDAD — RECTITUD ∠ ANGULARIDAD ⊥ PERPENDICULARIDAD (A ESCUADRA) // PARALELISMO ○ REDONDEZ (CIRCULARIDAD) ∅ CILINDRICIDAD △ PERFIL DE CUALQUIER SUPERFICIE ∇ PERFIL DE CUALQUIER LINEA ∧ VARIACION ⊕ POSICION REAL ◎ CONCENTRICIDAD = SIMETRIA <p>ASME Y14.5M 1994</p>	<p>REGAL-BELOIT CORPORATION (RBC) PROVEE ASISTENCIA TECNICA A NUESTROS CLIENTES EN VARIAS AREAS. DESDE QUE RBC NO RECIBE TODOS LOS DATOS EN RELACION AL USO Y A LA APLICACION DEL MOTOR, LA APLICACION ADECUADA DEL MOTOR DEBE SER DETERMINADA POR EL CLIENTE.</p> <p>DIMENSIONES SIN TOLERANCIA SON DE REFERENCIA SOLAMENTE</p>
-------------------------------------------------------------------------------------------------------------------------------------------------------------------------------------------------------------------------------------------------------------------------------------------------------------------------------------------------------------------------------------------------------------------------------------------------------------------------------------------	----------------------------------------------------------------------------------------------------------------------------------------------------------------------------------------------------------------------------------------------------------------------------------------------------------------------------------

DIBUJADO POR: A NAJERA	05-05-2011
APROBADO POR: J RUPERT	05-05-2011
TERCER ANGULO DE PROYECCION	FECHA EDS: 11-11-2011 REV. FORMATO: G
<p>CONFIDENCIAL: ESTE DIBUJO Y SU INFORMACION SON PROPIEDAD DE USO EXCLUSIVO Y CONFIDENCIAL DE REGAL-BELOIT CORPORATION. Y NO DEBERAN SER REVELADOS, DUPLICADOS, DISTRIBUIDOS O USARSE DE OTRA MANERA SIN EL CONSENTIMIENTO ESCRITO DE REGAL-BELOIT CORPORATION. -TODOS LOS DERECHOS RESERVADOS.</p>	

DESCRIPCION: MODEL-RFHP-48FR OUTLINE	
TAMAÑO: C	NUMERO DE DIBUJO: FH1036
ESCALA: NONE	HOJA: 1

4

3

2

1

4

3

2

1

版本	ECO	编制	日期	批准	日期
B	0025548	I. ORTIZ	04-27-2012	D. BALDERRAMA	04-27-2012

总技术要求:

轴跳动:

轴承:

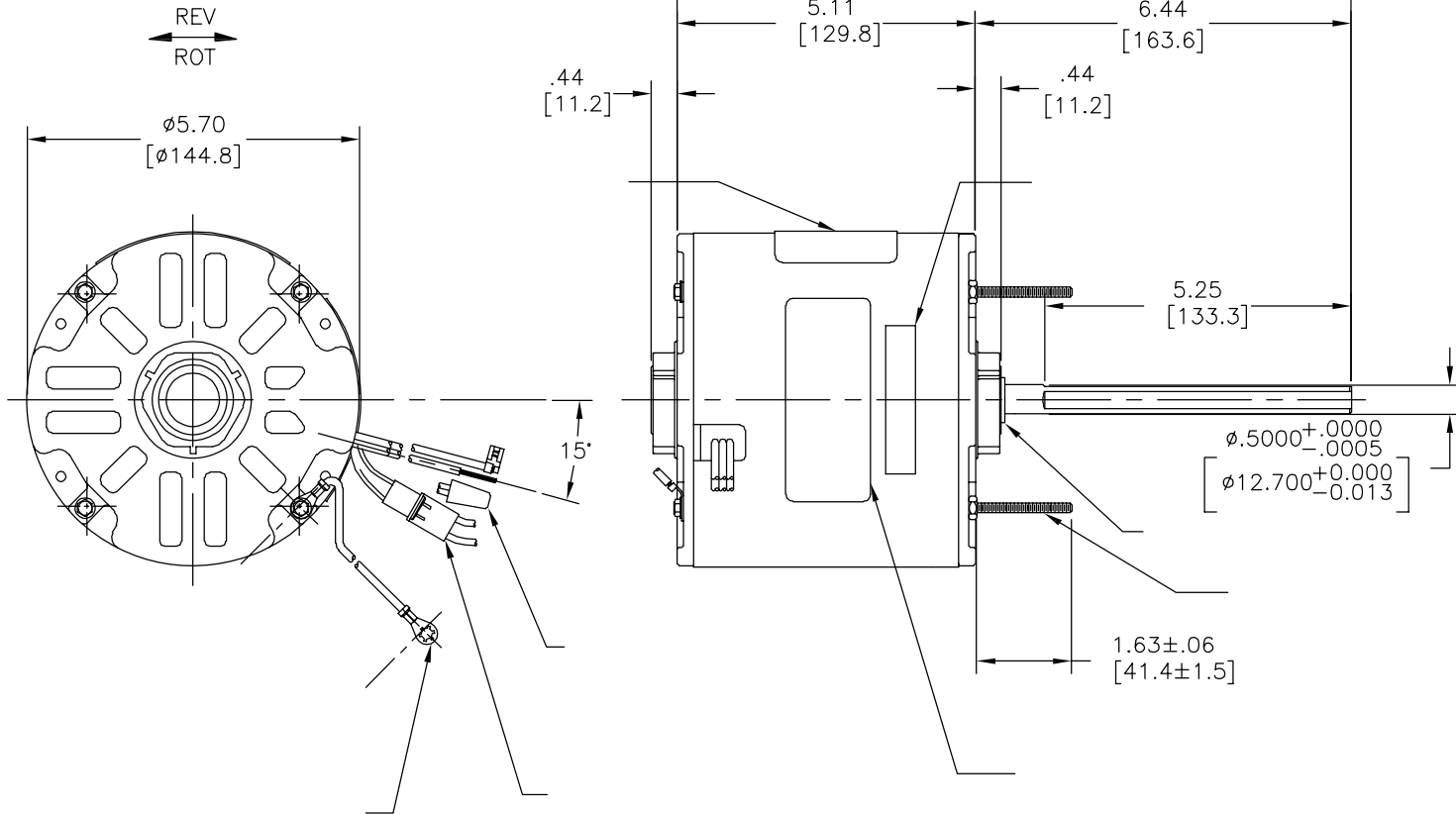
安装位置:

电气数据:

过载保护:

引线:

接地线:



铭牌数据	外部数据线																																
MODEL NO.: F48N62A01 CUST. P/N: FH1036 HP: 1/3 ROT.: REVERSIBLE RPM: 1075/2 SPD. TYPE: UF FRAME: 48Y VOLTS: 460 PH: 1 AMPS: 1.2 HZ: 60 INS.: B AMB.: 60° C DUTY: AIR OVER CAP.: 7.5 MFD/370V ENCL: SEMI-ENCL UL LOGO CSA LOGO THERMALLY PROTECTED	<table border="1"> <tr> <td>BROWN</td> <td>SEP. CAP.</td> </tr> <tr> <td>YELLOW</td> <td>LINE</td> </tr> <tr> <td>BLACK</td> <td>LINE</td> </tr> <tr> <td>ORANGE</td> <td>HIGH SPEED</td> </tr> <tr> <td>RED</td> <td>SPEED</td> </tr> <tr> <td>BROWN</td> <td>SEP. CAP.</td> </tr> <tr> <td>YELLOW</td> <td>LINE</td> </tr> <tr> <td>BLACK</td> <td>LINE</td> </tr> <tr> <td>ORANGE</td> <td>LO SPEED</td> </tr> <tr> <td>RED</td> <td>SPEED</td> </tr> <tr> <td>BLACK</td> <td>ROTATION</td> <td>BLACK</td> </tr> <tr> <td>WHITE</td> <td>CCWLE</td> <td>WHITE</td> </tr> <tr> <td>BLACK</td> <td>CWLE</td> <td>WHITE</td> </tr> <tr> <td>WHITE</td> <td>CWLE</td> <td>BLACK</td> </tr> </table>	BROWN	SEP. CAP.	YELLOW	LINE	BLACK	LINE	ORANGE	HIGH SPEED	RED	SPEED	BROWN	SEP. CAP.	YELLOW	LINE	BLACK	LINE	ORANGE	LO SPEED	RED	SPEED	BLACK	ROTATION	BLACK	WHITE	CCWLE	WHITE	BLACK	CWLE	WHITE	WHITE	CWLE	BLACK
BROWN	SEP. CAP.																																
YELLOW	LINE																																
BLACK	LINE																																
ORANGE	HIGH SPEED																																
RED	SPEED																																
BROWN	SEP. CAP.																																
YELLOW	LINE																																
BLACK	LINE																																
ORANGE	LO SPEED																																
RED	SPEED																																
BLACK	ROTATION	BLACK																															
WHITE	CCWLE	WHITE																															
BLACK	CWLE	WHITE																															
WHITE	CWLE	BLACK																															

颜色	长度	端子或剥线长度
	12.0/13.0	
	[305/330]	
	4.0/6.0	
	[102/152]	
	26.0/28.0	
	[660/711]	
	26.0/28.0	
	[660/711]	
	26.0/28.0	
	[660/711]	
	26.0/28.0	
	[660/711]	
	26.0/28.0	
	[660/711]	

性能曲线编号	转矩在 @ RPM (25° C)	批准样品	UL部件		CSA	
			文件号	指南	文件号	指南
C31855	35.2 OZ. FT.	99AC234A	E46412	PRGY2	LR43341	4211-01

无引线端机壳	
无引线端端盖	
有引线端机壳	
有引线端端盖	

用户	DISTRIBUTION SERVICES
----	-----------------------

- 形位公差
- 平面度
- 直线度
- ∠ 倾斜度
- ⊥ 垂直度
- // 平行度
- 圆度
- ⊘ 圆柱度
- △ 面轮廓度
- ⌒ 线轮廓度
- ↗ 圆跳动
- ⊕ 位置度
- ⊙ 同轴度
- ≡ 对称度

ASME Y14.5M 1994

REGAL-BELOIT CORPORATION (RBC) 在个别领域为客户提供技术支持。鉴于RBC未收到任何涉及电机使用和应用环境的数据，电机的适用性由客户自己决定。

未注公差尺寸仅供参考。

绘图:	A NAJERA	05-05-2011
批准:	J RUPERT	05-05-2011
第三角投影		图纸格式发布日期 11-11-2011 图纸格式版本 G
机密: 本图纸及相关信息所有权归REGAL-BELOIT CORPORATION。未经REGAL-BELOIT CORPORATION书面授权, 不得泄露、复制、传播或作其他用途。一版权所有		

REGAL-BELOIT CORPORATION

名称: MODEL-RFHP-48FR OUTLINE

图幅: C 图号: FH1036

比例: NONE 页号: 1

4

3

2

1