

4

3

2

1

GENERAL INFORMATION:

SHAFT RUNOUT: .001 [.03] T.I.R. PER INCH LENGTH OF EXTENSION

BEARINGS: BALL

MOUNTING POSITION: ALL ANGLE

ELECTRICAL DATA:

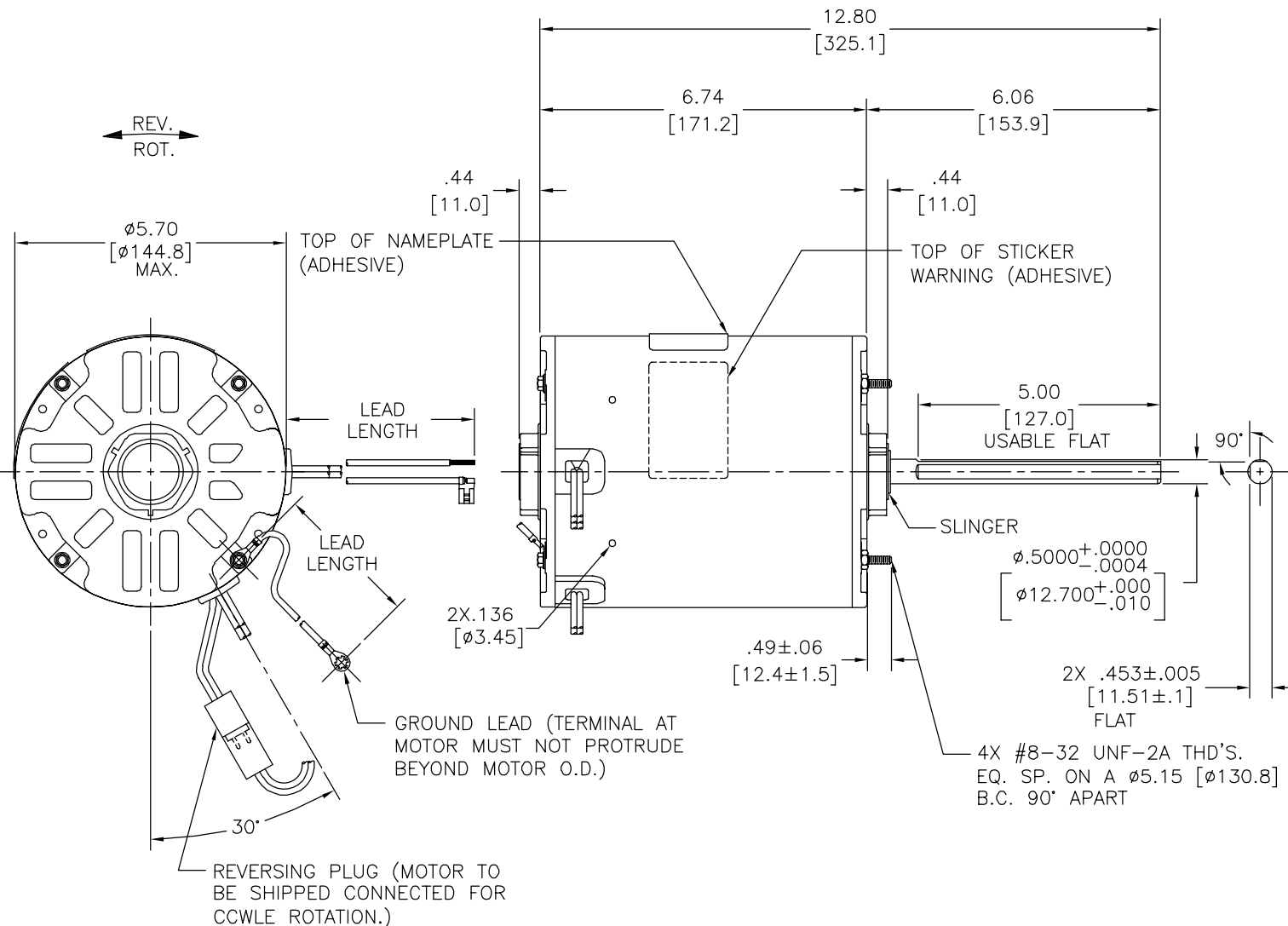
OVERLOAD PROTECTOR: AUTOMATIC RESET (T.I. 7AM 036)

LEADS: NO. 18 GA., .06 [1.5] THK. PVC 105°C INSUL.

REVERSING PLUGS: NO. 18 GA., .03 [.8] THK. XLP 125°C INSUL.

GROUND LEAD: NO. 16 GA., .03 [.8] THK. (GREEN/YELLOW) INSUL.

REV	ECO	REV BY	DATE	APPD	DATE
B	0025527	J.AGUILERA	04-24-2012	R.RASCON	04-24-2012



NAMEPLATE DATA:	EXTERNAL CONNECTION DIAGRAM
MODEL NO.: F48Z40A01 CUST. P/N: 787A HP: 1/2 ROT.: REVERSIBLE RPM: 825 TYPE: UF FRAME: 48Y VOLTS: 460 PH: 1 AMPS: 1.8 HZ: 60 INS.: B AMB.: 60° C DUTY: AIR OVER CAP.: 10 MFD/370 V ENCL: SEMI-ENCL. UL LOGO CSA LOGO THERMALLY PROTECTED	

GREEN/YELLOW (GROUND)	11.0/13.0 [279/330]	#10 EYELET
BLACK/WHITE	3.0/5.0 [76/127]	REVERSING PLUG
BROWN	25.0/27.0 [635/686]	.25 [6.4] FEMALE SPADE
BROWN/WHITE	25.0/27.0 [635/686]	.25 [6.4] FEMALE SPADE
WHITE	25.0/27.0 [635/686]	.25 [6.4] FEMALE SPADE
BLACK	25.0/27.0 [635/686]	.25 [6.4] FEMALE SPADE
COLOR	LENGTH	TERMINAL OR STRIP LENGTH

- NOTES:
- (1) CONDUIT BOX 52P7468-1-E308
 - (2) COVERS 46P93-1-E308
 - (1) GASKET 24P75-1
 - (4) SCREWS 21P258-25 TO BE PUT IN POLY BAG AND PACKED SEPARATE WITH EACH MOTOR.

MAIN FRAME - OLE	ENCLOSED
END FRAME - OLE	ENCLOSED
MAIN FRAME - LE	ENCLOSED
END FRAME - LE	OPEN

CUSTOMER	DISTRIBUTION SERVICE
----------	----------------------

PERFORMANCE CURVE NO.	TORQUE @ 825 RPM (25°C)	APPROVED SAMPLE	UL COMPONENT FILE #	CCN #	CSA FILE #	CLASS #
C32708A	66.1 OZ. FT.	0604344A	E46412	PRGY2	LR43341	4211-01

GEOMETRIC CHARACTERISTICS & SYMBOLS
 □ FLATNESS
 — STRAIGHTNESS
 ∠ ANGULARITY
 ⊥ PERPENDICULARITY (SQUARENESS)
 ∥ PARALLELISM
 ○ ROUNDNESS (CIRCULARITY)
 ∅ CYLINDRICITY
 △ PROFILE OF ANY SURFACE
 ∩ PROFILE OF ANY LINE
 ↗ RUNOUT
 ⊕ TRUE POSITION
 ⊙ CONCENTRICITY
 = SYMMETRY
 ASME Y14.5M 1994

REGAL-BELOIT CORPORATION (RBC) PROVIDES TECHNICAL ASSISTANCE TO OUR CUSTOMERS IN SEVERAL AREAS. SINCE RBC DOES NOT RECEIVE ALL DATA CONCERNING THE USE AND APPLICATION OF THE MOTOR, THE SUITABILITY OF THE MOTOR FOR THE APPLICATION MUST BE DETERMINED BY THE CUSTOMER.
 DIMENSIONS WITHOUT TOLERANCES ARE FOR REFERENCE ONLY.

DR BY: jrupert 05-13-2011
 APPD: jrupert 05-13-2011
 THIRD ANGLE PROJECTION
 CONFIDENTIAL: THIS DRAWING AND ITS INFORMATION ARE THE EXCLUSIVE AND CONFIDENTIAL PROPERTY OF REGAL-BELOIT CORPORATION AND ARE NOT TO BE DISCLOSED, DUPLICATED, DISTRIBUTED OR OTHERWISE USED WITHOUT THE WRITTEN CONSENT OF REGAL-BELOIT CORPORATION. -ALL RIGHTS RESERVED.

DESCRIPTION	
MODEL-RFHP-48FR OUTLINE	
SIZE C	DWG NO 787A
SCALE NONE	SHEET 1

4

3

2

1

4

3

2

1

INFORMACION GENERAL:

OSCILACION DE FLECHA: .001 [.03] T.I.R. PER INCH LENGTH OF EXTENSION

BALEROS: BALERO

POSICION DEL MONTAJE: TODOS LOS ANGULOS

INFORMACION ELECTRICA:

SOBRECARGA DEL PROTECTOR: REINICIO AUTOMATIC (T.I. 7AM 036)

CABLES: NO. 18 GA., .06 [1.5] THK. PVC 105°C AISLAM.

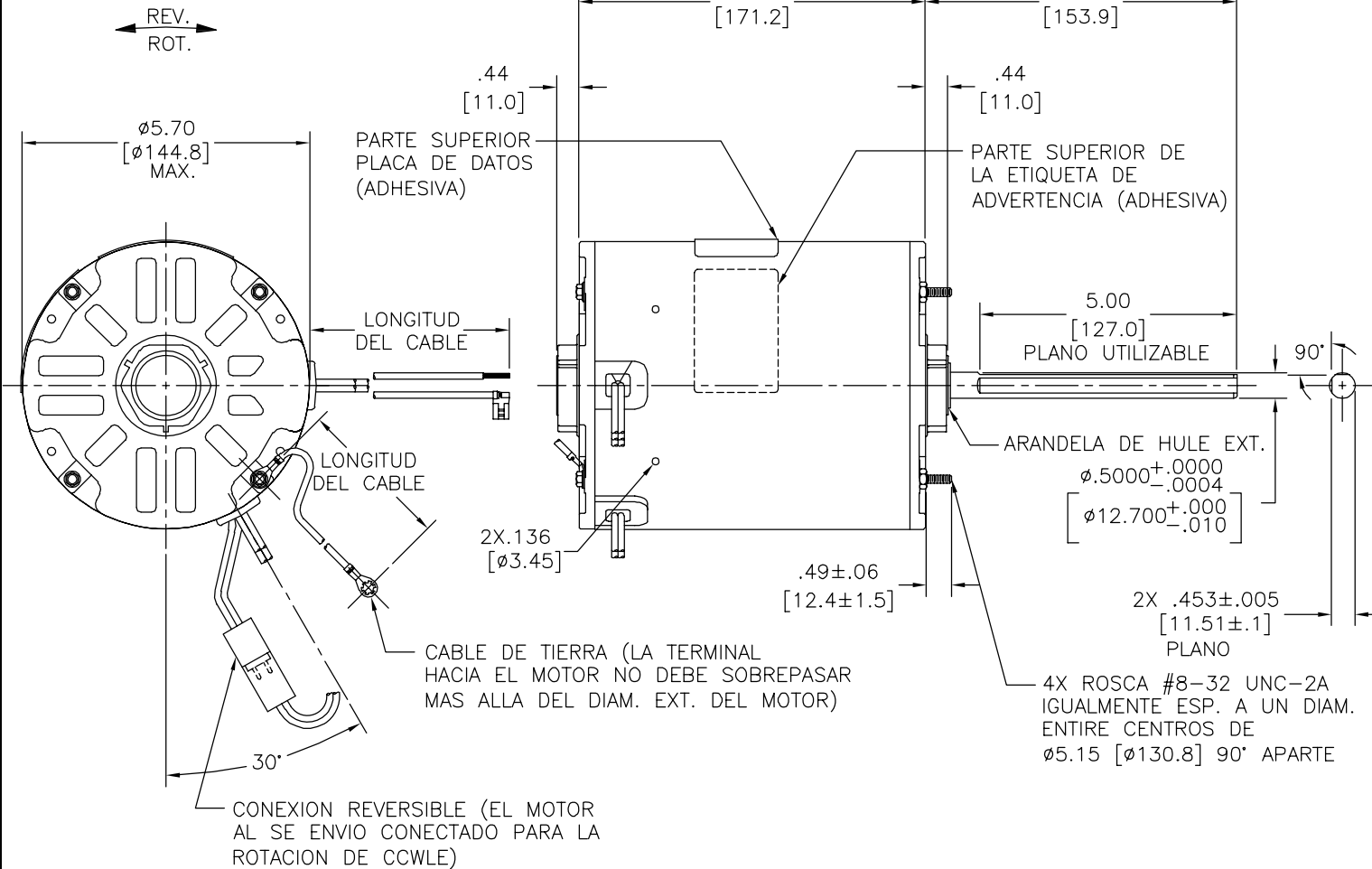
CONEXION REVERSIBLE: NO. 18 GA., .03 [.8] THK. XLP 125°C AISLAM.

CABLE DE TIERRA: NO. 16 GA., .03 [.8] THK. (VERDE/AMARILLO) AISLAM.

REVISION:	ECO	REVISADO POR:	FECHA:	APROBADO POR:	FECHA:
B	0025527	J.AGUILERA	04-24-2012	R.RASCON	04-24-2012

INFORMACION DE ETIQUETA:	DIAGRAMA DE CONEXION EXTRNA
MODEL NO.: F48Z40A01 CUST. P/N: 787A HP: 1/2 ROT.: REVERSIBLE RPM: 825 TYPE: UF FRAME: 48Y VOLTS: 460 PH: 1 AMPS: 1.8 HZ: 60 INS.: B AMB.: 60° C DUTY: AIR OVER CAP.: 10 MFD/370 V ENCL: SEMI-ENCL. UL LOGO CSA LOGO THERMALLY PROTECTED	

CURVAS DE FUNCIONAMIENTO	TORSION @ 825 RPM (25°C)	MUESTRA APROBADA	COMPONENTE UL	CSA
C32708A	66.1 OZ. FT.	0604344A	#ARCHIVO CCN #	#ARCHIVO CLASE #
			E46412 PRGY2	LR43341 4211-01



COLOR	LONGITUD	TERMINAL O LONGITUD DE DESFORRE
VERDE/AMARILLO (TIERRA)	11.0/13.0 [279/330]	OJAL #10
NEGRO/BLANCO	3.0/5.0 [76/127]	CONEXION REVERSIBLE
CAFE	25.0/27.0 [635/686]	.25 [6.4] TERMINAL ESPADE HEMBRA
CAFE/BLANCO	25.0/27.0 [635/686]	.25 [6.4] TERMINAL ESPADE HEMBRA
BLANCO	25.0/27.0 [635/686]	.25 [6.4] TERMINAL ESPADE HEMBRA
NEGRO	25.0/27.0 [635/686]	.25 [6.4] TERMINAL ESPADE HEMBRA

TIPO DE MOTOR	ENCERRADO
DE CARCASA - OLE	ENCERRADO
DE TAPA - OLE	ENCERRADO
DE CARCASA - LE	ENCERRADO
DE TAPA - LE	ABIERTA

CLIENTE	DISTRIBUTION SERVICE
---------	----------------------

CARACTERISTICAS DE GEOMETRIA Y SIMBOLOS
 □ PLANICIDAD
 — RECTITUD
 < ANGULARIDAD
 ⊥ PERPENDICULARIDAD (A ESCUADRA)
 // PARALELISMO
 ○ REDONDEZ (CIRCULARIDAD)
 ∅ CILINDRICIDAD
 △ PERFIL DE CUALQUIER SUPERFICIE
 ∇ PERFIL DE CUALQUIER LINEA
 ↗ VARIACION
 ⊕ POSICION REAL
 ⊙ CONCENTRICIDAD
 = SIMETRIA

REGAL-BELOIT CORPORATION (RBC) PROVEE ASISTENCIA TECNICA A NUESTROS CLIENTES EN VARIAS AREAS. DESDE QUE RBC NO RECIBE TODOS LOS DATOS EN RELACION AL USO Y A LA APLICACION DEL MOTOR, LA APLICACION ADECUADA DEL MOTOR DEBE SER DETERMINADA POR EL CLIENTE.
 DIMENSIONES SIN TOLERANCIA SON DE REFERENCIA SOLAMENTE

DIBUJADO POR: jrupert 05-13-2011
 APROBADO POR: jrupert 05-13-2011
 TERCER ANGULO DE PROYECCION
 FECHA EDS: 11-11-2011
 REV. FORMATO: G
 CONFIDENCIAL: ESTE DIBUJO Y SU INFORMACION SON PROPIEDAD DE USO EXCLUSIVO Y CONFIDENCIAL DE REGAL-BELOIT CORPORATION. Y NO DEBERAN SER REVELADOS, DUPLICADOS, DISTRIBUIDOS O USARSE DE OTRA MANERA SIN EL CONSENTIMIENTO ESCRITO DE REGAL-BELOIT CORPORATION. -TODOS LOS DERECHOS RESERVADOS.

REGAL-BELOIT CORPORATION
 DESCRIPCION: MODEL-RFHP-48FR OUTLINE
 TAMAÑO: C NUMERO DE DIBUJO: 787A
 ESCALA: NONE HOJA: 1

4

3

2

1

4

3

2

1

总技术要求:

轴跳动: .001[.03]/1[25.4]外伸轴

轴承: 球轴承

安装位置: 全方位

电气数据:

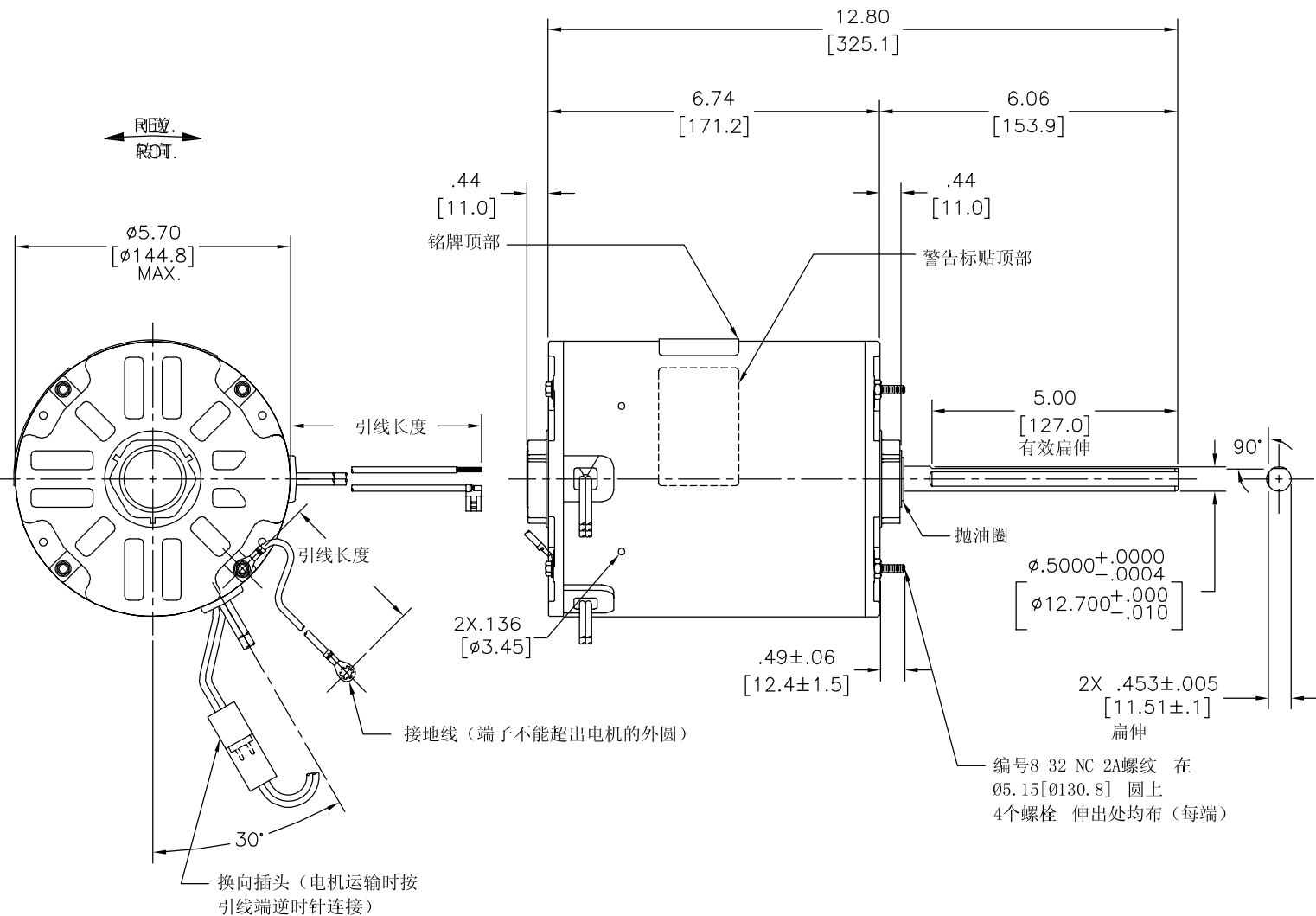
过载保护: 自动复位 (T.I. 7AM 036)

引线: 18# (美制标准), 厚.06 [1.5] PVC 105° C 绝缘

换向线: 18# (美制标准), 厚.03 [0.8] XLP 125° C 绝缘

接地线: 16# (美制标准), 厚.03 [0.8] 绿色绝缘

版本	ECO	编制	日期	批准	日期
B	0025527	J.AGUILERA	04-24-2012	R.RASCON	04-24-2012



铭牌数据	外部数据线
MODEL NO.: F48Z40A01 CUST. P/N: 787A HP: 1/2 ROT.: REVERSIBLE RPM: 825 TYPE: UF FRAME: 48Y VOLTS: 460 PH: 1 AMPS: 1.8 HZ: 60 INS.: B AMB.: 60° C DUTY: AIR OVER CAP.: 10 MFD/370 V ENCL: SEMI-ENCL. UL LOGO CSA LOGO THERMALLY PROTECTED	SEP. CAP. BROWN BRN/WHT WHITE BLACK LINE ROTATION BLACK BLACK WHITE WHITE BLACK CCWLE WHITE WHITE WHITE CWLE BLACK BLACK

颜色	长度	端子或剥线长度
绿色 (接地线)	11.0/13.0 [279/330]	#10金属圈
黑/白	3.0/5.0 [76/127]	翻边插头
棕	25.0/27.0 [635/686]	.25 [6.4] 母铲形插
棕/白	25.0/27.0 [635/686]	.25 [6.4] 母铲形插
白	25.0/27.0 [635/686]	.25 [6.4] 母铲形插
黑	25.0/27.0 [635/686]	.25 [6.4] 母铲形插
颜色	长度	端子或剥线长度

无引线端机壳	密封
无引线端端盖	密封
有引线端机壳	密封
有引线端端盖	开放
密封性	

用户	DISTRIBUTION SERVICE
----	----------------------

性能曲线编号	转矩在 825 RPM @ 25° C	批准样品	UL部件	CSA
C32708A	66.1 OZ. FT.	0604344A	文件号 指南	文件号 指南
			E46412 PRGY2	LR43341 4211-01

- 形位公差
- 平面度
- 直线度
- ∠ 倾斜度
- ⊥ 垂直度
- // 平行度
- 圆度
- ⊘ 圆柱度
- ⊖ 面轮廓度
- ⌒ 线轮廓度
- ↗ 圆跳动
- ⊕ 位置度
- ⊙ 同轴度
- ≡ 对称度

ASME Y14.5M 1994

REGAL-BELOIT CORPORATION (RBC) 在个别领域为客户提供技术支持。鉴于RBC未收到任何涉及电机使用和应用环境的数据, 电机的适用性由客户自己决定。

未注公差尺寸仅供参考。

绘图:	jrupert	05-13-2011
批准:	jrupert	05-13-2011
第三角投影		图纸格式发布日期 11-11-2011 图纸格式版本 G
机密: 本图纸及相关信息所有权归REGAL-BELOIT CORPORATION。未经REGAL-BELOIT CORPORATION书面授权, 不得泄露、复制、传播或作其他用途。—版权所有		

名称 MODEL-RFHP-48FR OUTLINE	
图幅 C	图号 787A
比例 NONE	页号 1

4

3

2

1