

GENERAL INFORMATION:

SHAFT RUNOUT: .001[.025] T.I.R. PER INCH LENGTH OF EXTENSION

BEARINGS: 201 BALL

MOUNTING POSITION: ALL ANGLE

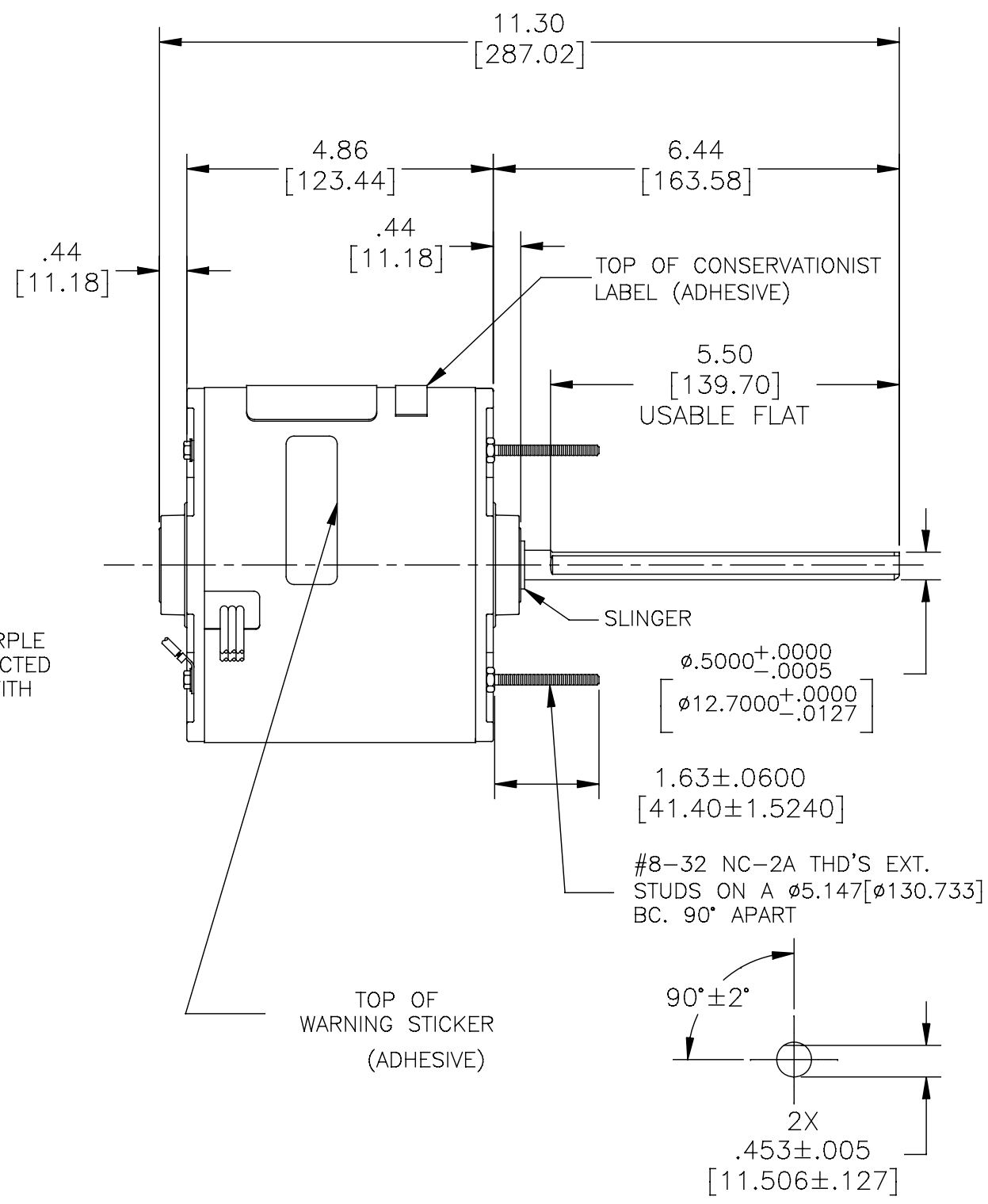
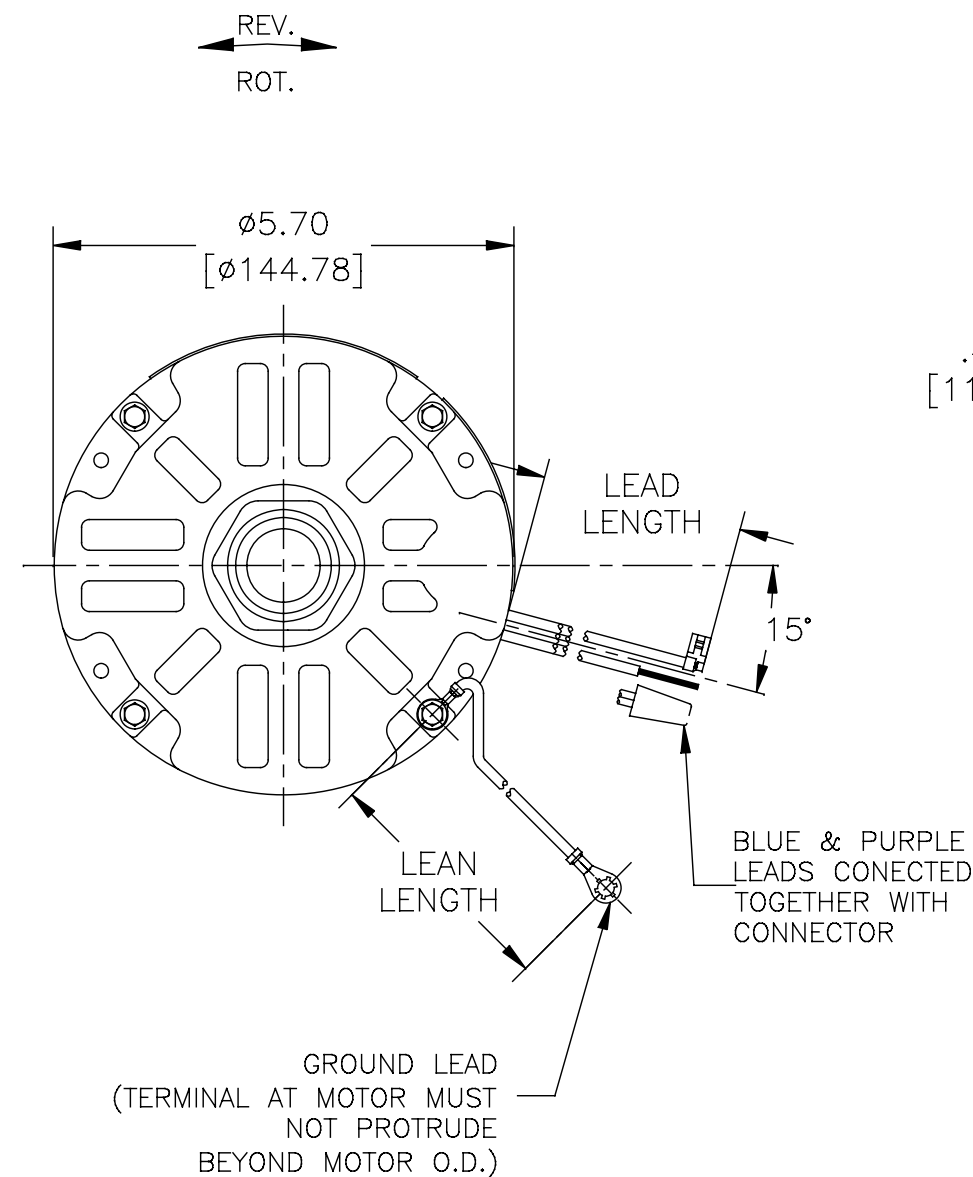
ELECTRICAL DATA:

OVERLOAD PROTECTOR: AUTOMATIC RESET (T.I. 7AM 036)

LEADS: NO. 18 GA., .06[1.52] THK. PVC 105°C INSUL.

REVERSING LEADS: NO. 18 GA., .03 [.76] THK. 125°C INSUL.

GROUND LEAD: NO. 18 GA., .03 [.76] THK. GREEN INSUL.



NOTE:  
1. DISTRIBUTION CUST. P/N: F1038  
GRAINGER CUST. R/N: 4MB29

NAMEPLATE DATA:

MODEL NO.: F48E03A01

CUST. P/N: [ ]

HP: 1/3

ROT.: REV.

RPM: 825

TYPE: UF

FRAME: 48Y

VOLTS: 208-230

PH: 1

AMPS: 1.9(2.6 MAX.)

HZ: 60

INS.: B

AMB.: 60°C

DUTY: AIR OVER

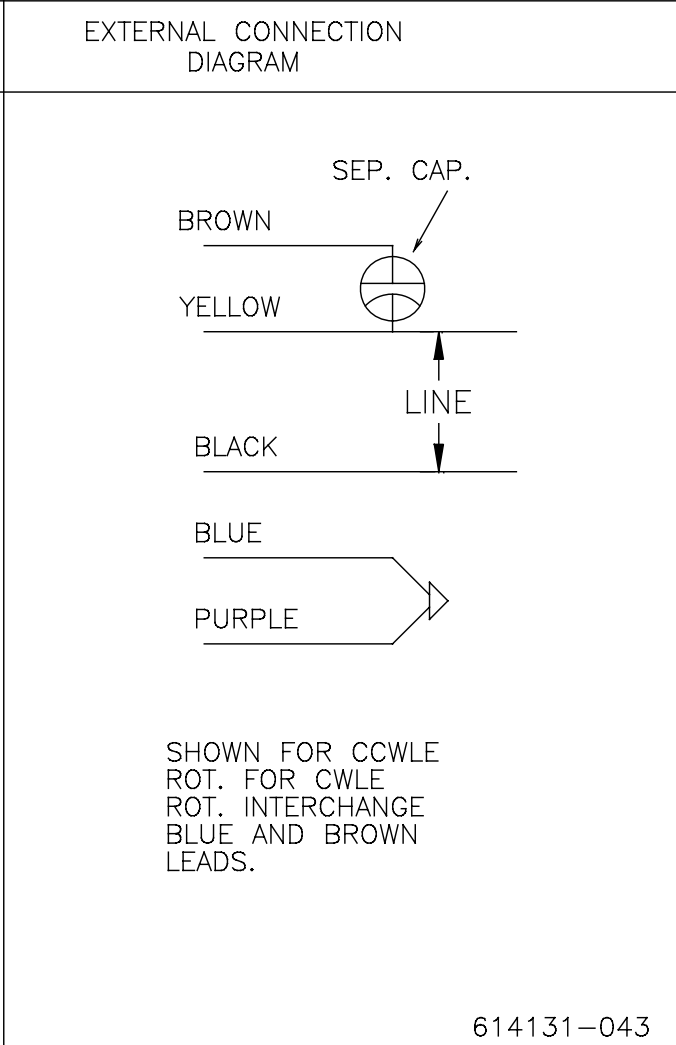
CAP.: 7.5 MFD/370 V

ENCL: SEMI-ENCL

UL LOGO

CSA LOGO

THERMALLY PROTECTED



614131-043

GRN(GRD)	12.0/13.0 [304.8/330.2]	10# EYELET
BROWN	26.0/28.0 [660.4/711.2]	.25[6.35] FLAG
YELLOW	26.0/28.0 [660.4/711.2]	.75[19.05] STRIP
BLACK	26.0/28.0 [660.4/711.2]	.75[19.05] STRIP
PURPLE	26.0/28.0 [660.4/711.2]	.75[19.05] STRIP
BLUE	26.0/28.0 [660.4/711.2]	.75[19.05] STRIP
COLOR	LENGTH	TERMINAL OR STRIP LENGTH

MAIN FRAME - OLE	ENCLOSURE.
END FRAME - OLE	ENCLOSURE.
MAIN FRAME - LE	ENCLOSURE.
END FRAME - LE	OPEN
ENCLOSURE	

PERFORMANCE CURVE NO.	TORQUE @825RPM (25°C)	APPROVED SAMPLE	UL COMPONENT		CSA	
			FILE #	CCN #	FILE #	CLASS #
C30806	36.6 OZ. FT.	93AC162A	E46412	PRGY2	LR43341	4211-01

DRAWING REVISION	REVISION BY	DATE
C	J.CHAI	10-30-2015
ECO	APPROVED BY	DATE
ECO-0087930	-	10-30-2015
ECO DESCRIPTION		
SEE ECO		

COPYRIGHT REGAL BELOIT AMERICA, INC. ALL RIGHTS RESERVED. PROPRIETARY AND CONFIDENTIAL INFORMATION - THIS DOCUMENT IS THE PROPERTY OF REGAL BELOIT AMERICA, INC. ("OWNER") AND CONTAINS OWNER'S PROPRIETARY INFORMATION. ANY PERSON, CORPORATION OR OTHER FIRM RECEIVING IT IS DEEMED, BY RECEIVING IT, TO AGREE THAT IT, AND/OR ANY PART OF IT, SHALL NOT BE DISCLOSED TO ANY PERSON, CORPORATION OR OTHER ENTITY, DUPLICATED, AND/OR USED, EXCEPT AS EXPRESSLY APPROVED IN WRITING IN ADVANCE BY OWNER. THIS DOCUMENT SHALL BE RETURNED TO OWNER UPON REQUEST. IT MAY BE SUBJECT TO CERTAIN RESTRICTIONS UNDER APPLICABLE EXPORT CONTROL LAWS AND REGULATIONS.

DRAWN BY:	<b>Regal Beloit America, Inc.</b>
DATE:	
APPROVED BY:	
DATE:	
PROCESS/FINISH	DESCRIPTION
	MODEL-RFHP-48FR OUTLINE
THIRD ANGLE PROJECTION	MATERIAL
	SIZE DWG NO
	F48E03A01
	SHEET
	1

CUSTOMER DISTRIBUTION SERVICES