

GENERAL INFORMATION:

SHAFT RUNOUT: .001[.03] T.I.R PER INCH LENGTH OF EXTENSION

END PLAY: .010[.25] TO .063[1.60]

BEARINGS: SLEEVE

MOUNTING POSITION: HORIZONTAL

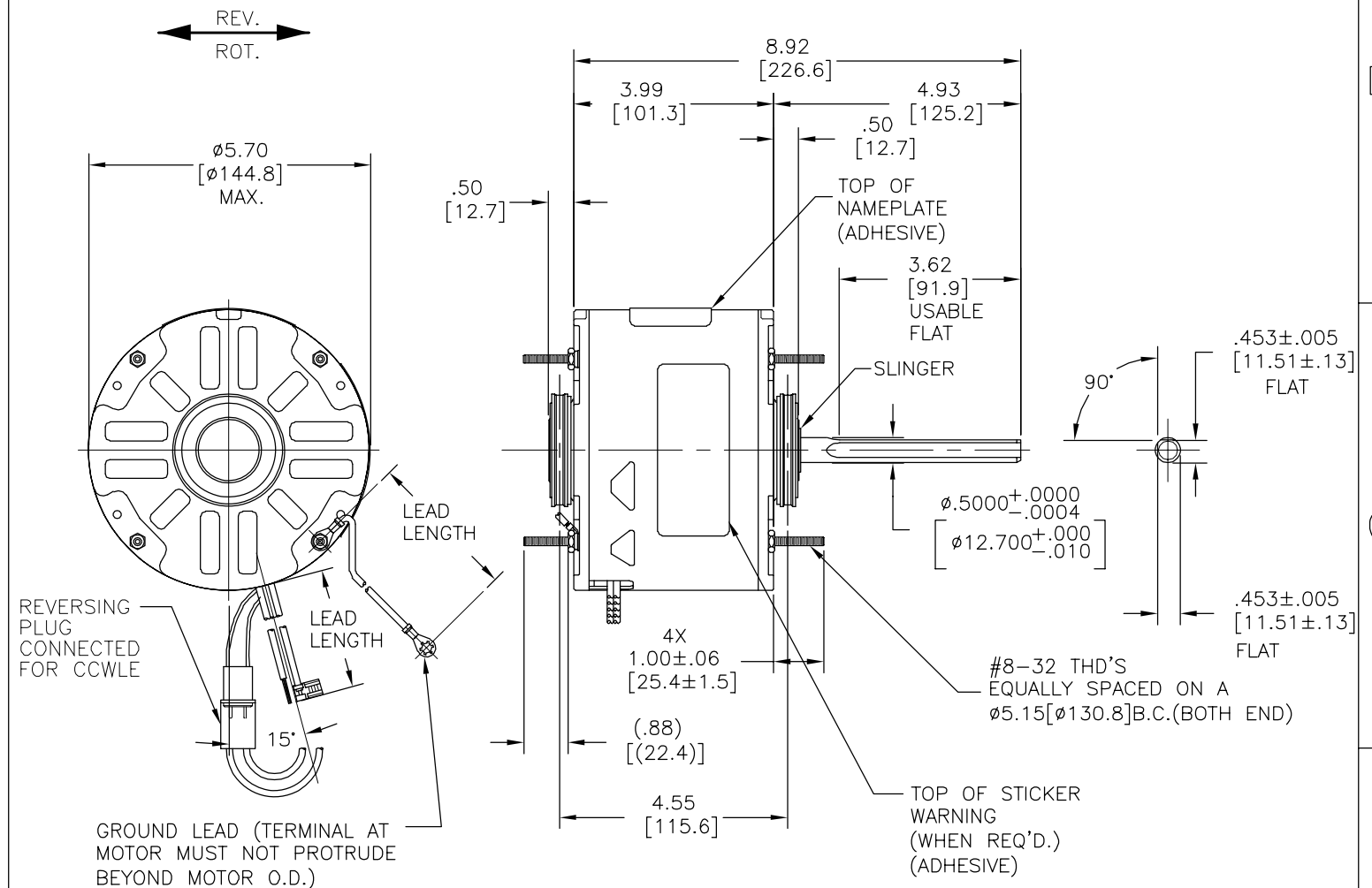
ELECTRICAL DATA:

OVERLOAD PROTECTOR: AUTOMATIC RESET (T.I. 7AM 304)

LEADS: NO. 18 GA., .06[1.5] THK.. EPDM 125°C INSUL.

REVERSING LEADS: NO. 18 GA., .03[.8] THK.. XLP 125°C INSUL.

GROUND LEAD: NO. 18 GA., .03 [.8] THK. GREEN INSUL.



NOTE:
1. SNAP RINGS 615035 (4 REQ'D) TO BE PACKED WITH EACH MOTOR

REGAL-BELOIT CORPORATION (RBC) PROVIDES TECHNICAL ASSISTANCE TO OUR CUSTOMERS IN SEVERAL AREAS. SINCE RBC DOES NOT RECEIVE ALL DATA CONCERNING THE USE AND APPLICATION OF THE MOTOR, THE SUITABILITY OF THE MOTOR FOR THE APPLICATION MUST BE DETERMINED BY THE CUSTOMER.

DIMENSIONS WITHOUT TOLERANCES ARE FOR REFERENCE ONLY.

LEAD DATA		
COLOR	LENGTH	TERMINAL OR STRIP LENGTH
BLACK	36.0/38.0 [914/965]	.50[12.7] STRIP
WHITE	36.0/38.0 [914/965]	.50[12.7] STRIP
BROWN	36.0/38.0 [914/965]	.25[6.4] FLAG
BROWN/WHITE	36.0/38.0 [914/965]	.25[6.4] FLAG
BLACK/WHITE	4.0/5.0 [101/127]	.50[12.7] STRIP
GREEN(GRD)	12.0/13.0 [304/330]	#10 EYELET

ENCLOSURE	
END FRAME - LE	OPEN
MAIN FRAME - LE	SEMI-ENCLOSED
END FRAME - OLE	ENCLOSED
MAIN FRAME - OLE	ENCLOSED

DISTRIBUTION SERVICE	
CUSTOMER	

NAMEPLATE DATA:	EXTERNAL CONNECTION DIAGRAM
MODEL NO.:F48L73A01 CUST. P/N:FS1024S HP: 1/4 ROT: REVERSIBLE RPM: 1625 TYPE: UF FRAME: 48Y VOLTS: 208-230 PH: 1 AMPS: 1.4 HZ: 50/60 INS: B AMB: 40 °C DUTY: AIR OVER CAP.: 5 MFD/370 V UL LOGO CSA LOGO THERMALLY PROTECTED	<p>614131-242</p>

PERFORMANCE CURVE NO.	TORQUE @ 1625 RPM (25°C)	APPROVED SAMPLE	UL COMPONENT		CSA	
			FILE #	CCN #	FILE #	CLASS #
C31663	15.4 OZ.FT.	98AC139A	E46412	PRGY2	LR43341	4211-01

DRAWING REVISION	REVISION BY	DATE
C	J. COX	11-20-2013
ECO-0041020	C. McREYNOLDS	11-20-2013

ECO DESCRIPTION
CHANGE AMPS

COPYRIGHT REGAL-BELOIT AMERICA, INC. ALL RIGHTS RESERVED. PROPRIETARY AND CONFIDENTIAL INFORMATION - THIS DOCUMENT IS THE PROPERTY OF REGAL-BELOIT AMERICA, INC. (OWNER) AND CONTAINS OWNER'S PROPRIETARY INFORMATION. ANY PERSON, CORPORATION OR OTHER FIRM RECEIVING IT IS DEEMED, BY RECEIVING IT, TO AGREE THAT IT, AND/OR ANY PART OF IT, SHALL NOT BE DISCLOSED TO ANY PERSON, CORPORATION OR OTHER ENTITY, DUPLICATED, AND/OR USED, EXCEPT AS EXPRESSLY APPROVED IN WRITING IN ADVANCE BY OWNER. THIS DOCUMENT SHALL BE RETURNED TO OWNER UPON REQUEST. IT MAY BE SUBJECT TO CERTAIN RESTRICTIONS UNDER APPLICABLE EXPORT CONTROL LAWS AND REGULATIONS.

DRAWN BY:		REGAL-BELOIT CORPORATION	
A. NAJERA	DATE: 05-04-2011	DESCRIPTION: MODEL-RFHP-48FR OUTLINE	
J. RUPERT	DATE: 05-04-2011	MATERIAL: -	
PROCESS/FINISH: -	THIRD ANGLE PROJECTION	SIZE DWG NO: C FS1024S	SHEET: 1