

4

3

2

1

GENERAL INFORMATION:

SHAFT RUNOUT: .001 [.03] T.I.R. PER INCH LENGTH OF EXTENSION.

END PLAY: .010 [.25] TO .063 [1.60]

BEARINGS: SLEEVE

MOUNTING POSITION: HORIZONTAL OR VERTICAL SHAFT-UP

ELECTRICAL DATA:

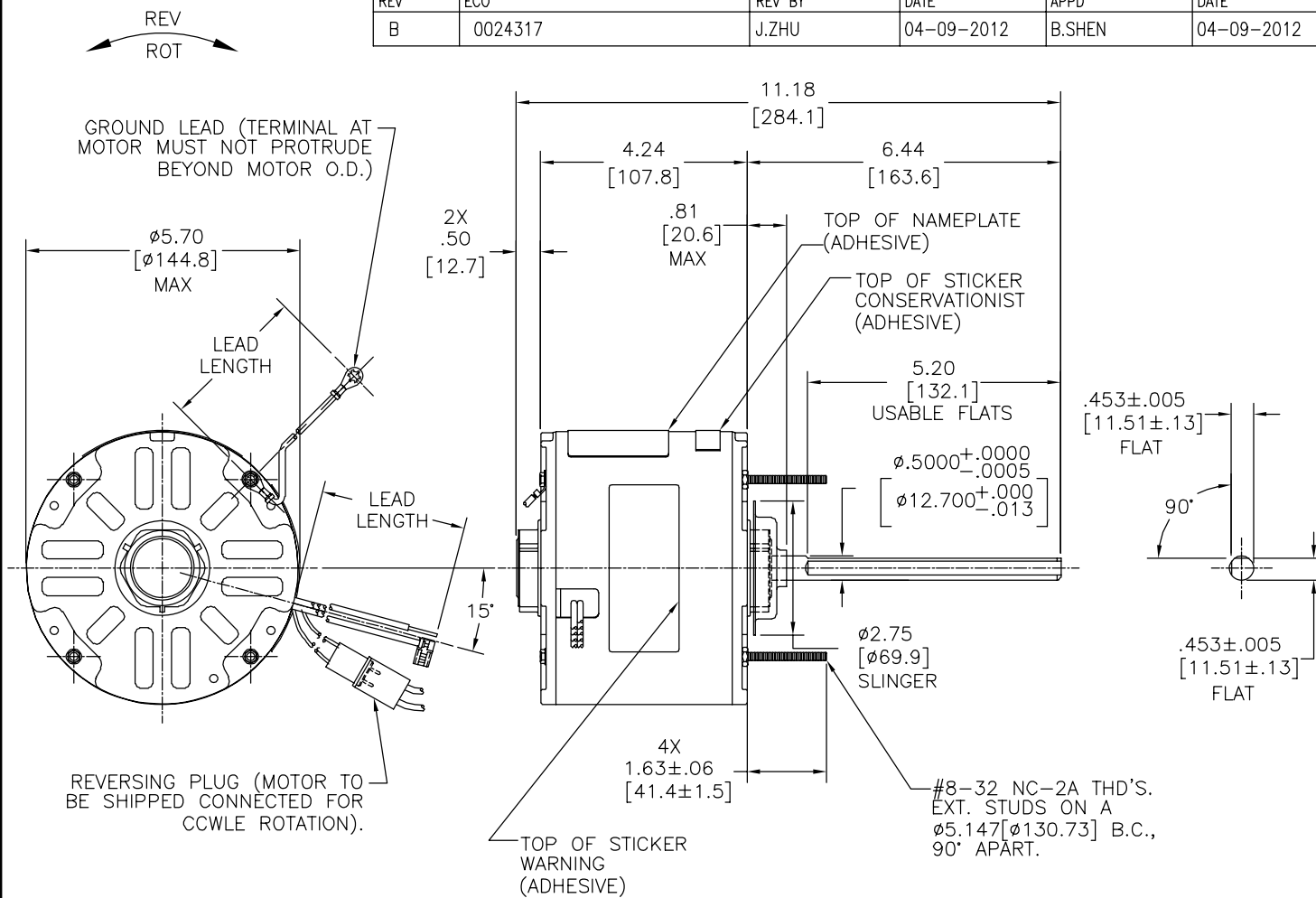
OVERLOAD PROTECTOR: AUTOMATIC RESET (SENSATA 7AM 036)

LEADS: NO. 18 GA., .06 [1.5] THK., PVC 105°C INSUL.

REVERSING LEADS: NO. 18 GA., .03 [.8] THK., XLP, 125°C INSUL.

GROUND LEAD: NO. 18 GA., .03 [.8] THK., (GREEN) INSUL.

REV	ECO	REV BY	DATE	APPD	DATE
B	0024317	J.ZHU	04-09-2012	B.SHEN	04-09-2012



COLOR	LENGTH	TERMINAL OR STRIP LENGTH
GREEN (GRD)	12.0/13.0 [305/330]	#10 EYELET
BROWN	26.0/28.0 [660/711]	.25 [6.4] FLAG
BROWN/WHITE	26.0/28.0 [660/711]	.25 [6.4] FLAG
YELLOW	26.0/28.0 [660/711]	.50 [12.7] SKIN
BLACK	26.0/28.0 [660/711]	.50 [12.7] SKIN
RED	26.0/28.0 [660/711]	.50 [12.7] SKIN
BLACK/WHITE	3.0/5.0 [76/127]	REVERSING PLUG

ENCLOSURE	
MAIN FRAME - OLE	ENCLOSED
END FRAME - OLE	ENCLOSED
MAIN FRAME - LE	ENCLOSED
END FRAME - LE	OPEN

CUSTOMER	DIST. SERVICES
----------	----------------

NAMEPLATE DATA:	EXTERNAL CONNECTION DIAGRAM
MODEL NO.: F48SG6L8 CUST. P/N: FS1026 HP: 1/4 ROT.: REVERSIBLE RPM: 1075/2 SPD TYPE: UF FRAME: 48Y VOLTS: 208-230 PH: 1 AMPS: 1.4 (2.0 MAX) HZ: 60/50 INS.: B AMB.: 60° C DUTY: AIR OVER CAP.: 5 MFD/370V ENCL: SEMI-ENCL UL LOGO CSA LOGO THERMALLY PROTECTED	

PERFORMANCE CURVE NO.	TORQUE @ 1075 RPM (25°C)	APPROVED SAMPLE	UL COMPONENT FILE #	CCN #	CSA FILE #	CLASS #
C22787	25.9 OZ. FT.	EX11127	E46412	PRGY2	LR43341	4211-01

GEOMETRIC CHARACTERISTICS & SYMBOLS

- FLATNESS
- STRAIGHTNESS
- ANGULARITY
- PERPENDICULARITY (SQUARENESS)
- PARALLELISM
- ROUNDNESS (CIRCULARITY)
- CYLINDRICITY
- PROFILE OF ANY SURFACE
- PROFILE OF ANY LINE
- RUNOUT
- TRUE POSITION
- CONCENTRICITY
- SYMMETRY

ASME Y14.5M 1994

REGAL-BELOIT CORPORATION (RBC) PROVIDES TECHNICAL ASSISTANCE TO OUR CUSTOMERS IN SEVERAL AREAS. SINCE RBC DOES NOT RECEIVE ALL DATA CONCERNING THE USE AND APPLICATION OF THE MOTOR, THE SUITABILITY OF THE MOTOR FOR THE APPLICATION MUST BE DETERMINED BY THE CUSTOMER.

DIMENSIONS WITHOUT TOLERANCES ARE FOR REFERENCE ONLY.

DR BY: J.ZHU 04-09-2012

APPD: B.SHEN 04-09-2012

THIRD ANGLE PROJECTION

EDS DATE 11-11-2011
FORMAT REV G

CONFIDENTIAL: THIS DRAWING AND ITS INFORMATION ARE THE EXCLUSIVE AND CONFIDENTIAL PROPERTY OF REGAL-BELOIT CORPORATION AND ARE NOT TO BE DISCLOSED, DUPLICATED, DISTRIBUTED OR OTHERWISE USED WITHOUT THE WRITTEN CONSENT OF REGAL-BELOIT CORPORATION. -ALL RIGHTS RESERVED.

REGAL-BELOIT CORPORATION

DESCRIPTION: MODEL-RFHP-48FR OUTLINE

SIZE: C DWG NO: FS1026

SCALE: NONE SHEET: 1

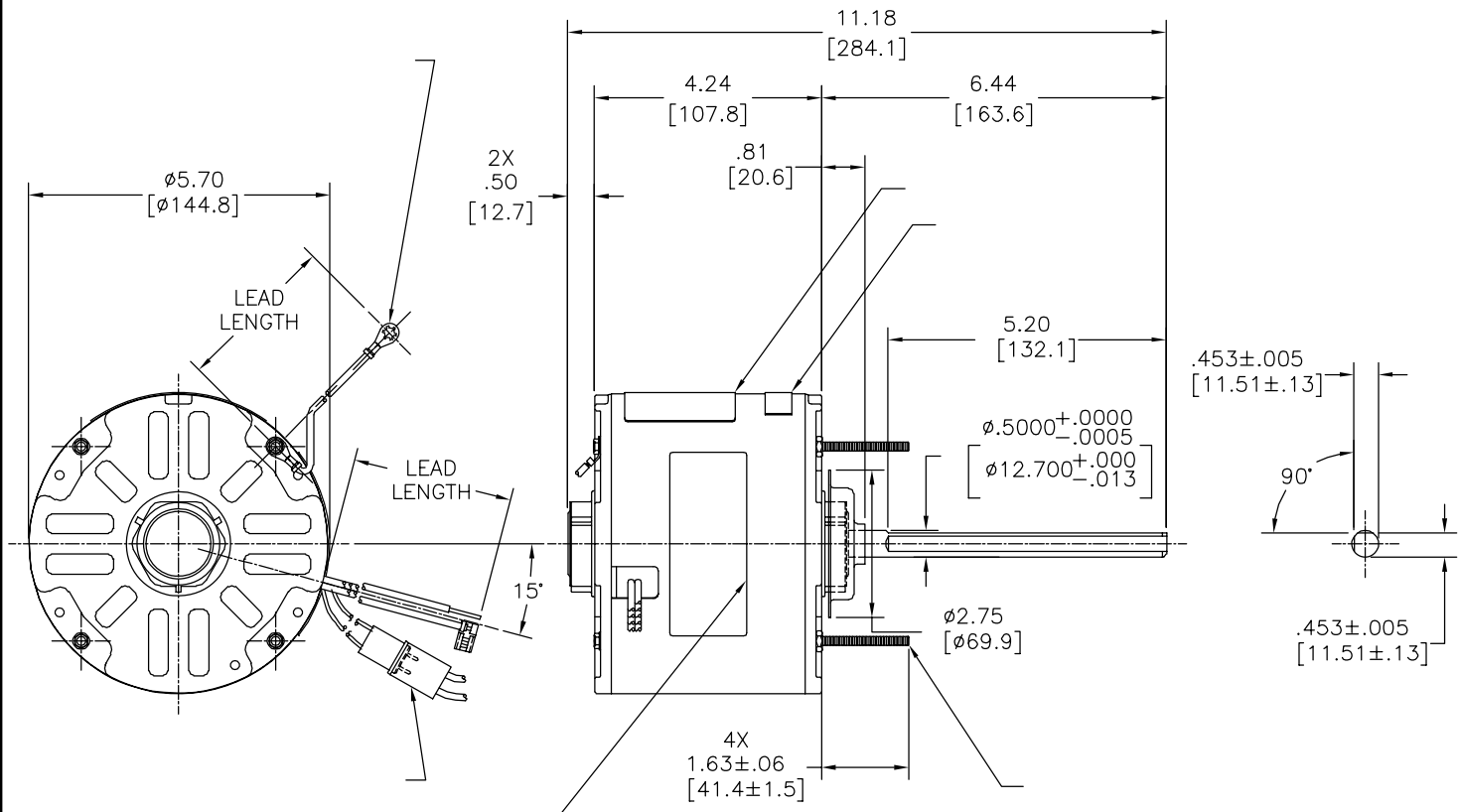
4

3

2

1

REVISION:	ECO	REVISADO POR:	J.ZHU	FECHA:	04-09-2012	APROBADO POR:	B.SHEN	FECHA:	04-09-2012
B	0024317								



MODEL NO.: F48SG6L8
 CUST. P/N: FS1026
 HP: 1/4
 ROT.: REVERSIBLE
 RPM: 1075/2 SPD
 TYPE: UF
 FRAME: 48Y
 VOLTS: 208-230
 PH: 1
 AMPS: 1.4 (2.0 MAX)
 HZ: 60/50
 INS.: B
 AMB.: 60° C
 DUTY: AIR OVER
 CAP.: 5 MFD/370V
 ENCL: SEMI-ENCL
 UL LOGO
 CSA LOGO
 THERMALLY PROTECTED

SEP. CAP.
 BROWN
 BROWN/W
 YELLOW

BLACK HI
 RED LO
 ROTATION

BLACK WHITE
 WHITE BLACK
 CCWLE
 CWLE
 614131-109

	12.0/13.0	
	[305/330]	
	26.0/28.0	
	[660/711]	
	26.0/28.0	
	[660/711]	
	26.0/28.0	
	[660/711]	
	26.0/28.0	
	[660/711]	
	3.0/5.0	
	[76/127]	

C22787	25.9 OZ. FT.	EX11127	E46412	PRGY2	LR43341	4211-01	DIST. SERVICES
--------	--------------	---------	--------	-------	---------	---------	----------------

CARACTERISTICAS DE GEOMETRIA Y SIMBOLOS

- PLANICIDAD
- RECTITUD
- ∠ ANGULARIDAD
- ⊥ PERPENDICULARIDAD (A ESCUADRA)
- // PARALELISMO
- REDONDEZ (CIRCULARIDAD)
- ∅ CILINDRICIDAD
- △ PERFIL DE CUALQUIER SUPERFICIE
- ∩ PERFIL DE CUALQUIER LINEA
- ∕ VARIACION
- ⊕ POSICION REAL
- ◎ CONCENTRICIDAD
- = SIMETRIA

ASME Y14.5M 1994

REGAL-BELOIT CORPORATION (RBC) PROVEE ASISTENCIA TECNICA A NUESTROS CLIENTES EN VARIAS AREAS. DESDE QUE RBC NO RECIBE TODOS LOS DATOS EN RELACION AL USO Y A LA APLICACION DEL MOTOR, LA APLICACION ADECUADA DEL MOTOR DEBE SER DETERMINADA POR EL CLIENTE.

DIMENSIONES SIN TOLERANCIA SON DE REFERENCIA SOLAMENTE

DIBUJADO POR: J.ZHU
 04-09-2012
 APROBADO POR: B.SHEN
 04-09-2012
 TERCER ANGULO DE PROYECCION
 CONFIDENCIAL: ESTE DIBUJO Y SU INFORMACION SON PROPIEDAD DE USO EXCLUSIVO Y CONFIDENCIAL DE REGAL-BELOIT CORPORATION. Y NO DEBERAN SER REVELADOS, DUPLICADOS, DISTRIBUIDOS O USARSE DE OTRA MANERA SIN EL CONSENTIMIENTO ESCRITO DE REGAL-BELOIT CORPORATION. -TODOS LOS DERECHOS RESERVADOS.

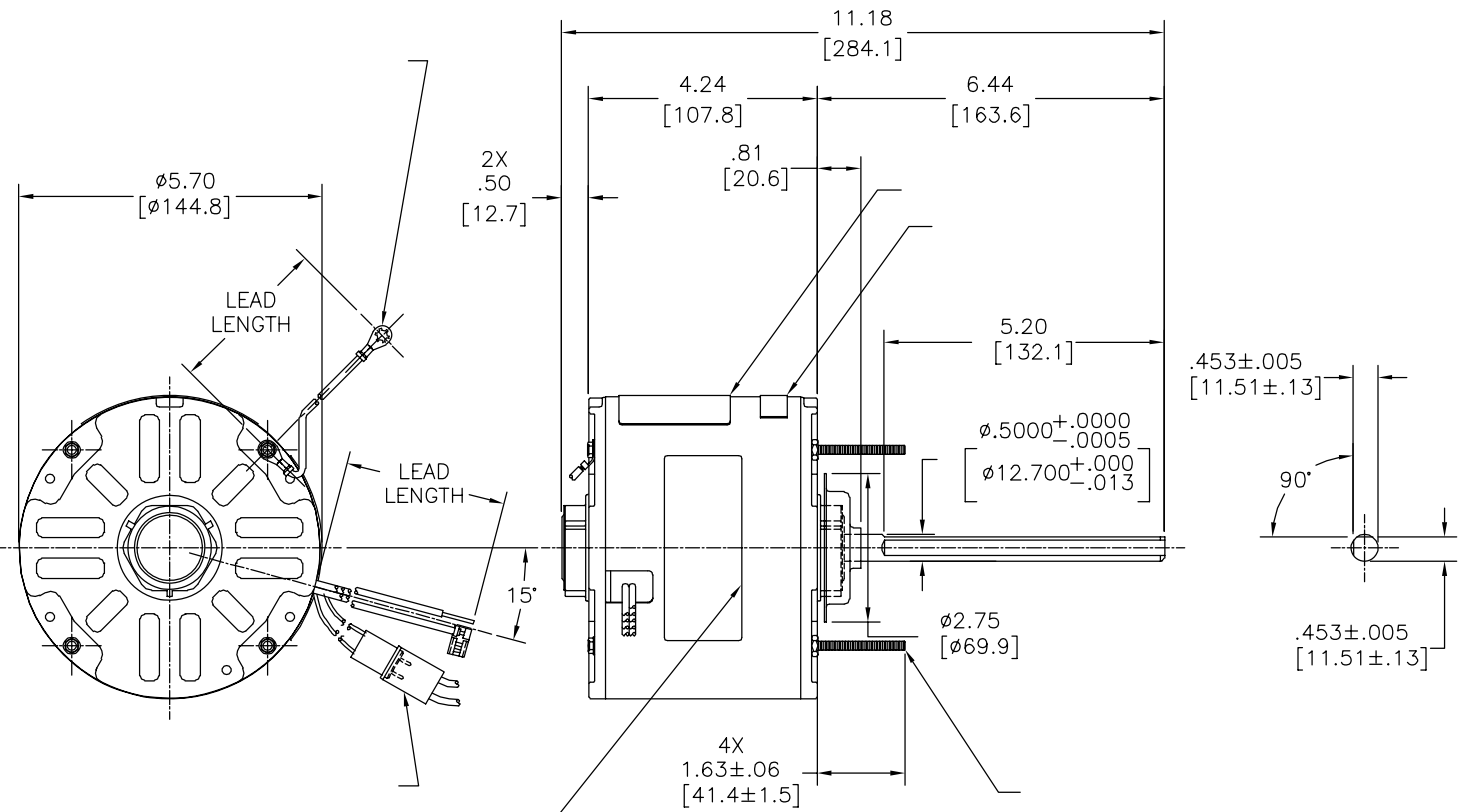
REGAL-BELOIT CORPORATION

DESCRIPCION: MODEL-RFHP-48FR OUTLINE

TAMAÑO: C NUMERO DE DIBUJO: FS1026

ESCALA: NONE HOJA: 1

版本	ECO	编制	日期	批准	日期
B	0024317	J.ZHU	04-09-2012	B.SHEN	04-09-2012



MODEL NO.: F48SG6L8 CUST. P/N: FS1026 HP: 1/4 ROT.: REVERSIBLE RPM: 1075/2 SPD TYPE: UF FRAME: 48Y VOLTS: 208-230 PH: 1 AMPS: 1.4 (2.0 MAX) HZ: 60/50 INS.: B AMB.: 60° C DUTY: AIR OVER CAP.: 5 MFD/370V ENCL: SEMI-ENCL UL LOGO CSA LOGO THERMALLY PROTECTED	<p>SEP.CAP.</p> <p>BROWN</p> <p>BROWN/W</p> <p>YELLOW</p> <p>BLACK HI</p> <p>RED LO</p> <p>ROTATION</p> <p>BLACK WHITE</p> <p>WHITE BLACK</p> <p>CCWLE</p> <p>WHITE BLACK</p> <p>CWLE</p> <p>614131-109</p>
--	---

	12.0/13.0	
	[305/330]	
	26.0/28.0	
	[660/711]	
	26.0/28.0	
	[660/711]	
	26.0/28.0	
	[660/711]	
	26.0/28.0	
	[660/711]	
	3.0/5.0	
	[76/127]	

C22787	25.9 OZ. FT.	EX11127	E46412	PRGY2	LR43341	4211-01	DIST. SERVICES
--------	--------------	---------	--------	-------	---------	---------	----------------

形位公差 □ 平面度 — 直线度 ∠ 倾斜度 ⊥ 垂直度 ∥ 平行度 ○ 圆度 ⊘ 圆柱度 ⊖ 面轮廓度 — 线轮廓度 ↗ 圆跳动 ⊕ 位置度 ⊙ 同轴度 = 对称度	ASME Y14.5M 1994
--	------------------

REGAL-BELOIT CORPORATION (RBC) 在个别领域为客户提供技术支持。鉴于RBC未收到任何涉及电机使用和应用环境的数据，电机的适用性由客户自己决定。

未注公差尺寸仅供参考。

绘图:	J.ZHU	04-09-2012
批准:	B.SHEN	04-09-2012
第三角投影		图纸格式发布日期 11-11-2011 图纸格式版本 G
机密: 本图纸及相关信息所有权归REGAL-BELOIT CORPORATION。未经REGAL-BELOIT CORPORATION书面授权, 不得泄露、复制、传播或作其他用途。--版权所有		

名称	MODEL-RFHP-48FR OUTLINE
图幅	C
图号	FS1026
比例	NONE
页号	1