

GENERAL INFORMATION:

SHAFT RUNOUT: .001[.025] T.I.R. PER INCH[mm] LENGTH OF EXTENSION
 END PLAY: .010[.254] TO .063[1.600]
 BEARINGS: SLEEVE
 MOUNTING POSITION: VERTICAL SHAFT-UP OR HORIZONTAL
 ELECTRICAL DATA:
 OVERLOAD PROTECTOR: AUTOMATIC RESET (T.I. 7AM 036)
 LEADS: NO. 18 GA., .06[1.52] THK. 105°C INSUL.
 REVERSING LEADS: NO. 18 GA., .03[.76] THK. 125°C INSUL.
 GROUND LEAD: NO. 18 GA., .03[.76] THK. (GREEN) INSUL.

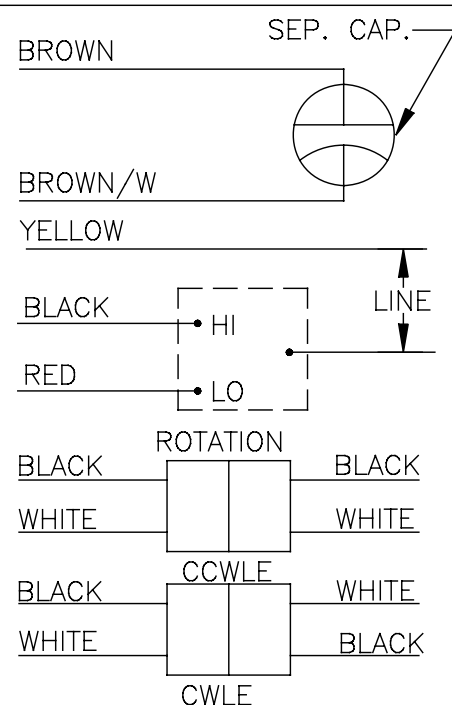
NOTE:
 1. DISTRIBUTION: CUST. P/N:FS1016
 GRAINGER: CUST. P/N: 4MB49

SEE NOTE 1

NAMEPLATE DATA :

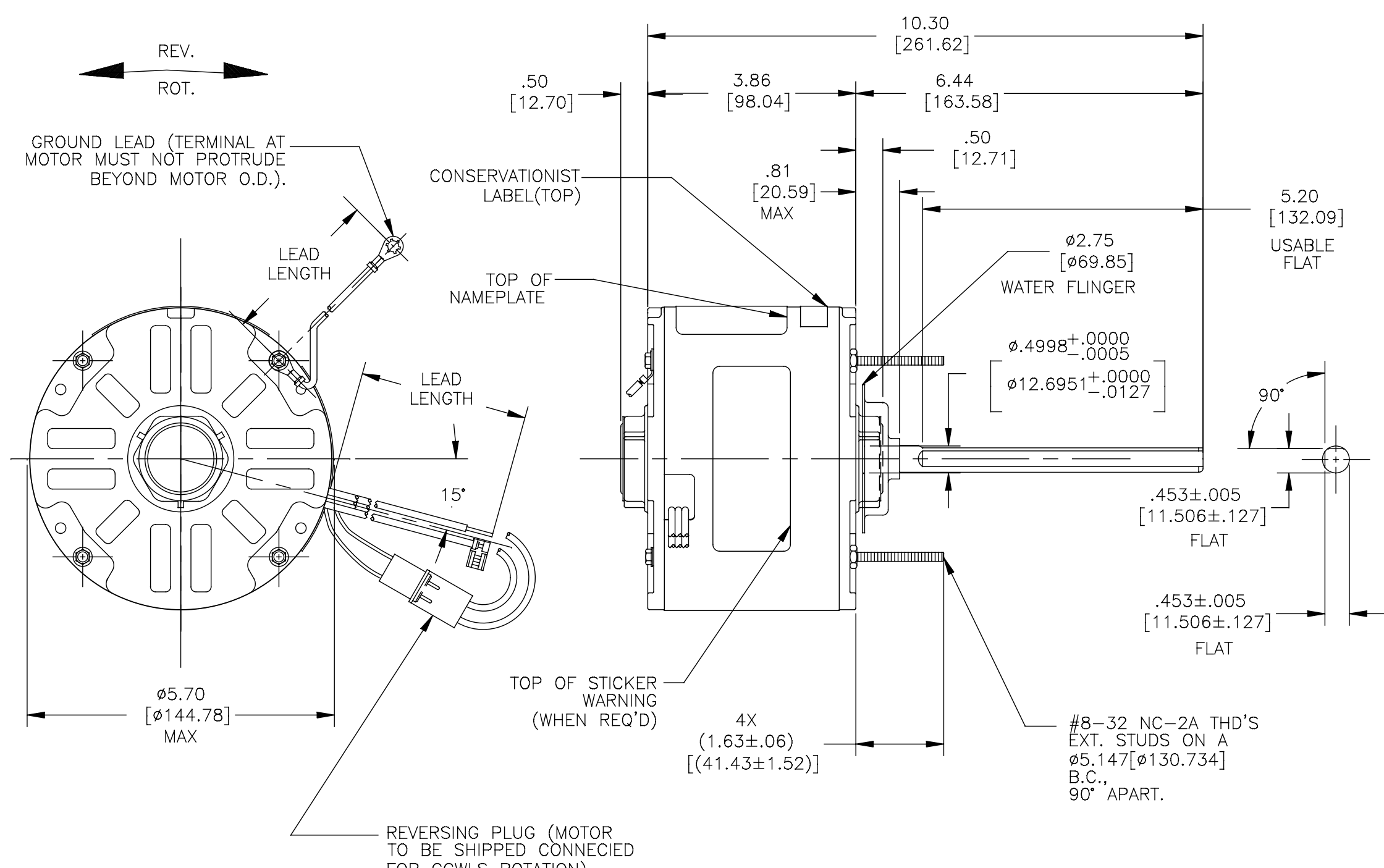
MODEL NO.: F48SE6L7
 CUST. P/N: []
 HP: 1/6
 ROT: REVERSIBLE
 RPM: 1075/2 SPD
 TYPE: UF
 FRAME: 48Y
 VOLTS: 208-230
 PH: 1
 AMPS: 0.9 (1.1 MAX.)
 HZ: 60
 INS: B
 AMB: 60°C
 DUTY: AIR OVER
 CAP.: 5 MFD/370V
 ENCL: SEMI-ENCL.
 CSA LOGO
 UL LOGO
 THERMALLY PROTECTED

EXTERNAL CONNECTION DIAGRAM



614131-109

PERFORMANCE CURVE NO.	TORQUE @1075 RPM (25°C)	APPROVED SAMPLE	UL COMPONENT		CSA	
			FILE #	GUIDE#	FILE #	GUIDE #
C22801	15.9 OZ. FT.	EX11126	E46412	PRGY2	LR43341	260-0-0



COLOR	LENGTH	TERMINAL OR STRIP LENGTH
GREEN(GRD)	12/13 [305/330]	#10 EYELET
BLACK/WHITE	3/5 [76/127]	REVERSING PLUG
BROWN/WHITE TRACER(CAP)	26/28 [660/711]	.25[6.35] FLAG
BROWN(CAP)	26/28 [660/711]	.25[6.35] FLAG
YELLOW	26/28 [660/711]	.50[12.70] SKIN
BLACK	26/28 [660/711]	.50[12.70] SKIN
RED	26/28 [660/711]	.50[12.70] SKIN

REGAL-BELOIT CORPORATION (RBC) PROVIDES TECHNICAL ASSISTANCE TO OUR CUSTOMERS IN SEVERAL AREAS. SINCE RBC DOES NOT RECEIVE ALL DATA CONCERNING THE USE AND APPLICATION OF THE MOTOR, THE SUITABILITY OF THE MOTOR FOR THE APPLICATION MUST BE DETERMINED BY THE CUSTOMER.
 DIMENSIONS WITHOUT TOLERANCES ARE FOR REFERENCE ONLY.

FRONT PANEL	ENCLOSURE
MAIN FR.-OLE	ENCLOSED
END FR.-OLE	ENCLOSED
MAIN FR.-LE	ENCLOSED
END FR.-LE	OPEN

DRAWING REVISION A	REVISION BY C.ZHOU	DATE 10-23-2015	DRAWN BY: C.ZHOU	DATE: 10-23-2015	APPROVED BY: C.ZHANG	DATE: 10-23-2015	REFERENCE 11948-008	THIRD ANGLE PROJECTION	SIZE DWG NO C	SHEET 1
ECO 0087525	APPROVED BY C.ZHANG	DATE 10-23-2015								
ECO DESCRIPTION NEW DRAWING. REPLACE 11948-008			REGAL™ Regal Beloit America, Inc.		DESCRIPTION MODEL-RFHP-48FR OUTLINE		MATERIAL		PROCESS/FINISH	
COPYRIGHT REGAL-BELOIT AMERICA, INC. ALL RIGHTS RESERVED. PROPRIETARY AND CONFIDENTIAL INFORMATION - THIS DOCUMENT IS THE PROPERTY OF REGAL-BELOIT AMERICA, INC. (OWNER) AND CONTAINS OWNER'S PROPRIETARY INFORMATION. ANY PERSON, CORPORATION OR OTHER FIRM RECEIVING IT IS DEEMED, BY RECEIVING IT, TO AGREE THAT IT, AND/OR ANY PART OF IT, SHALL NOT BE DISCLOSED TO ANY PERSON, CORPORATION OR OTHER ENTITY, DUPLICATED, AND/OR USED, EXCEPT AS EXPRESSLY APPROVED IN WRITING IN ADVANCE BY OWNER. THIS DOCUMENT SHALL BE RETURNED TO OWNER UPON REQUEST. IT MAY BE SUBJECT TO CERTAIN RESTRICTIONS UNDER APPLICABLE EXPORT CONTROL LAWS AND REGULATIONS.			11948-008		FS1016					