

4

3

2

1

REV	ECO	REV BY	DATE	APPD	DATE
D	0025544	I.MATA	04-26-2012	R.RASCON	.

GENERAL INFORMATION:

SHAFT RUNOUT: .001 [.03] T.I.R. PER INCH LENGTH OF EXTENSION

BEARINGS: BALL

MOUNTING POSITION: VERTICAL SHAFT-UP

ELECTRICAL DATA:

OVERLOAD PROTECTOR: AUTOMATIC RESET (T.I. 7AM 036)

LEADS: NO. 18 GA., .06 [1.5] THK., PVC 105°C INSUL.

REVERSING LEADS: NO. 18 GA., .03 [.8] THK. 125°C INSUL.

GROUND LEAD: NO. 18 GA., .03 [.8] THK. GREEN INSUL.

NOTES:

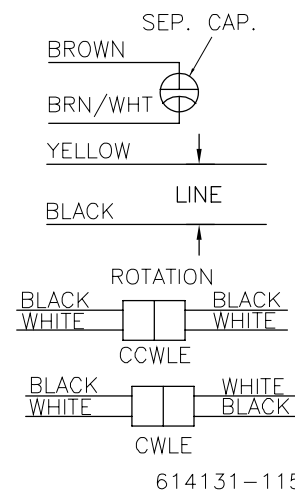
- DISTRIBUTION: CUST. P/N: F1028S
GRAINGER: CUST. P/N: 4MB69

SEE NOTE 1

NAMEPLATE DATA:

MODEL NO.: F48U64A01
CUST. P/N: []
HP: 1/4
ROT.: REVERSIBLE
RPM: 825
TYPE: UF
FRAME: 48Y
VOLTS: 208-230
PH: 1
AMPS: 1.5(1.9 MAX)
HZ: 60
INS.: B
AMB: 60°C
DUTY: AIR OVER
CAP.: 5 MFD/370 V
ENCL: SEMI-ENCL
CSA LOGO
UL LOGO
THERMALLY PROTECTED

EXTERNAL CONNECTION DIAGRAM



614131-115

PERFORMANCE CURVE NO.	TORQUE @ 1625 RPM (25°C)	APPROVED SAMPLE	UL COMPONENT		CSA	
			FILE #	GUIDE#	FILE #	GUIDE#
C30583	26.1 OZ. FT.	90AC557A	E46412	PRGY2	LR43341	260-0-0

COLOR	LENGTH	TERMINAL OR STRIP LENGTH
GREEN(GRD)	12.0/13.0 [305/330]	#10 EYELET
BLACK/WHITE	3.0/5.0 [76/127]	REVERSING PLUG
BROWN	26.0/28.0 [660/711]	.25 [6.4] FLAG
BROWN/WHITE	26.0/28.0 [660/711]	.25 [6.4] FLAG
YELLOW	26.0/28.0 [660/711]	.50 [12.7] SKIN
BLACK	26.0/28.0 [660/711]	.50 [12.7] SKIN

REGAL-BELOIT CORPORATION (RBC) PROVIDES TECHNICAL ASSISTANCE TO OUR CUSTOMERS IN SEVERAL AREAS. SINCE RBC DOES NOT RECEIVE ALL DATA CONCERNING THE USE AND APPLICATION OF THE MOTOR, THE SUITABILITY OF THE MOTOR FOR THE APPLICATION MUST BE DETERMINED BY THE CUSTOMER.

DIMENSIONS WITHOUT TOLERANCES ARE FOR REFERENCE ONLY.

DR BY: .
APPD: GOROON 05-20-2004
THIRD ANGLE PROJECTION
EDS DATE 11-11-2011
FORMAT REV G
CONFIDENTIAL: THIS DRAWING AND ITS INFORMATION ARE THE EXCLUSIVE AND CONFIDENTIAL PROPERTY OF REGAL-BELOIT CORPORATION AND ARE NOT TO BE DISCLOSED, DUPLICATED, DISTRIBUTED OR OTHERWISE USED WITHOUT THE WRITTEN CONSENT OF REGAL-BELOIT CORPORATION. -ALL RIGHTS RESERVED.

MAIN FRAME - OLE	ENCLOSED
END FRAME - OLE	ENCLOSED
MAIN FRAME - LE	ENCLOSED
END FRAME - LE	OPEN

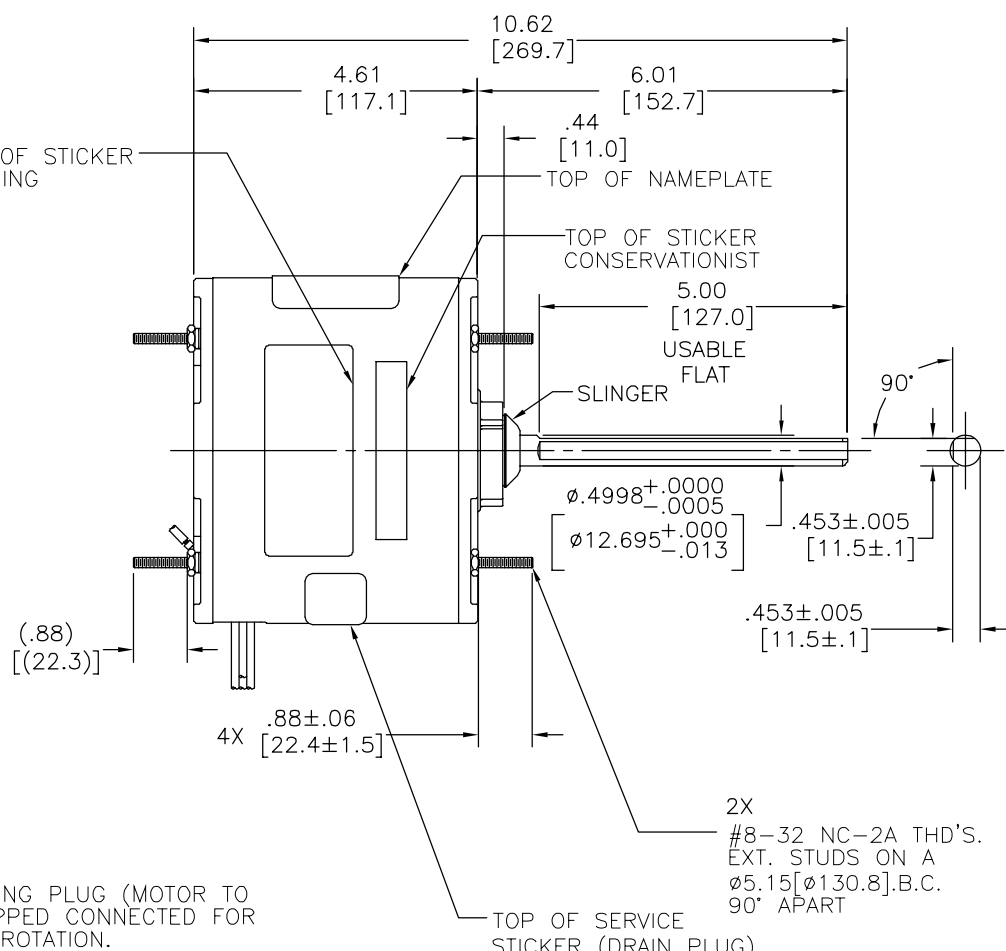
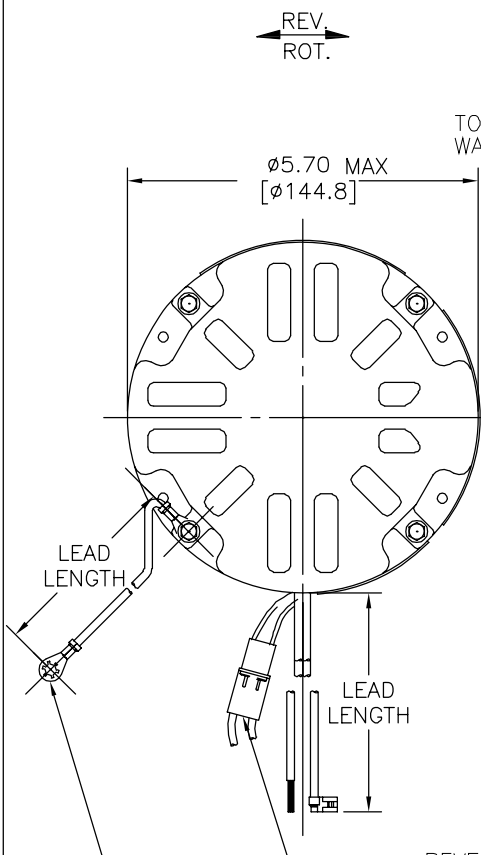
CUSTOMER	DISTRIBUTION SERVICE
----------	----------------------

D

C

B

A



D

C

B

A

4

3

2

1

GEOMETRIC CHARACTERISTICS & SYMBOLS

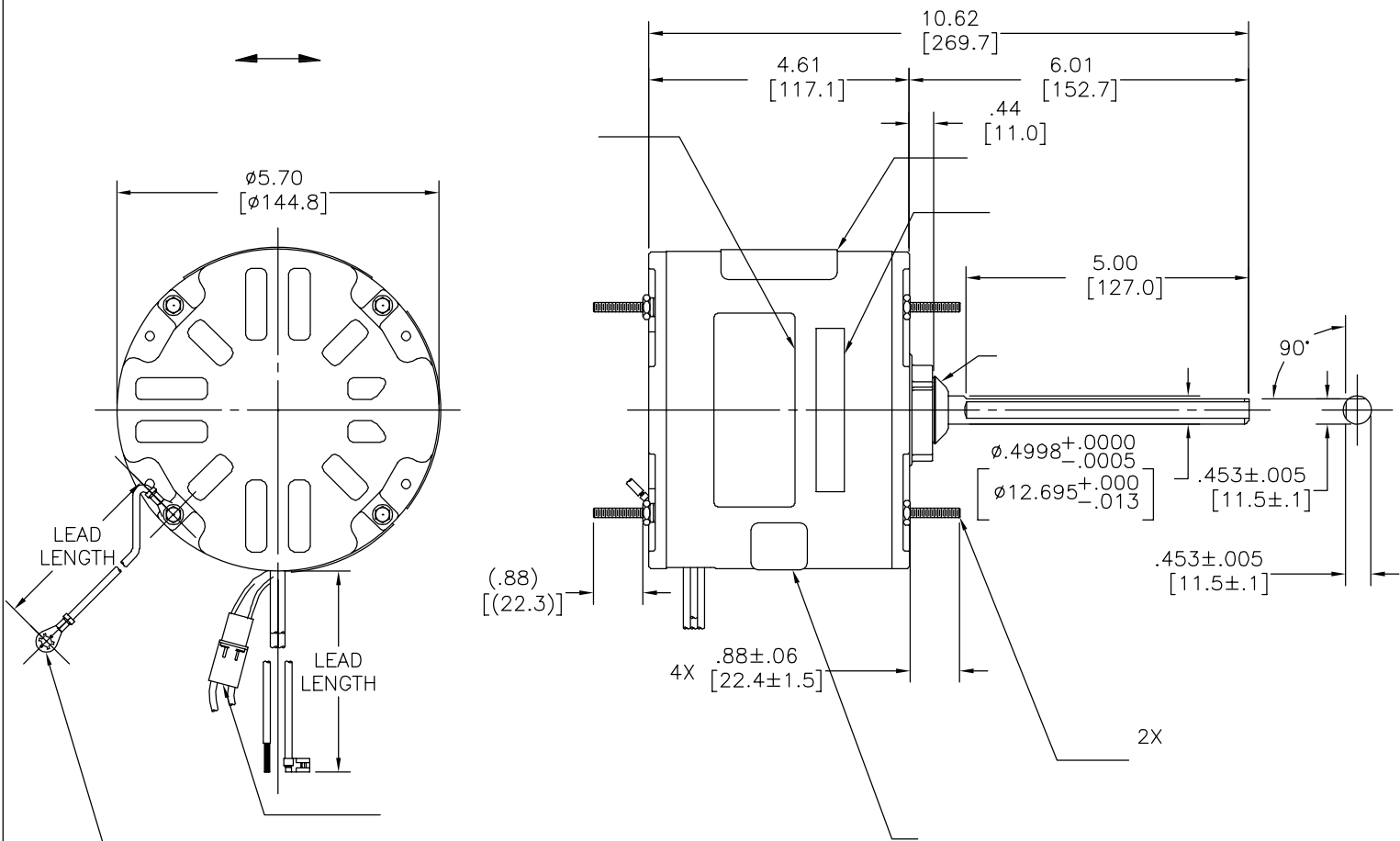
- FLATNESS
- STRAIGHTNESS
- ANGULARITY
- PERPENDICULARITY (SQUARENESS)
- PARALLELISM
- ROUNDNESS (CIRCULARITY)
- CYLINDRICITY
- PROFILE OF ANY SURFACE
- PROFILE OF ANY LINE
- RUNOUT
- TRUE POSITION
- CONCENTRICITY
- SYMMETRY

ASME Y14.5M 1994

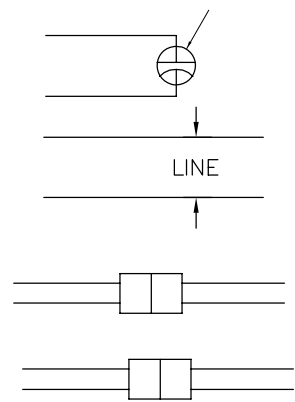


DESCRIPTION	
MODEL-RFHP-48FR OUTLINE	
SIZE	DWG NO
C	11750-002
SCALE	SHEET
NONE	1

REVISION:	ECO	REVISADO POR:	FECHA:	APROBADO POR:	FECHA:
D	0025544	I.MATA	04-26-2012	R.RASCON	.



MODEL NO.: F48U64A01
 CUST. P/N:
 HP: 1/4
 ROT.: REVERSIBLE
 RPM: 825
 TYPE: UF
 FRAME: 48Y
 VOLTS: 208-230
 PH: 1
 AMPS: 1.5(1.9 MAX)
 HZ: 60
 INS.: B
 AMB.: 60°C
 DUTY: AIR OVER
 CAP.: 5 MFD/370 V
 ENCL: SEMI-ENCL
 CSA LOGO
 UL LOGO
 THERMALLY PROTECTED



614131-115

	12.0/13.0	
	[305/330]	
	3.0/5.0	
	[76/127]	
	26.0/28.0	
	[660/711]	
	26.0/28.0	
	[660/711]	
	26.0/28.0	
	[660/711]	
	26.0/28.0	
	[660/711]	

C30583	26.1 OZ. FT.	90AC557A	E46412	PRGY2	LR43341	260-Ø-0
--------	--------------	----------	--------	-------	---------	---------

CARACTERISTICAS DE GEOMETRIA Y SIMBOLOS
 ▽ PLANICIDAD
 — RECTITUD
 ∠ ANGULARIDAD
 ⊥ PERPENDICULARIDAD (A ESQUADRA)
 // PARALELISMO
 ○ REDONDEZ (CIRCULARIDAD)
 ∅ CILINDRICIDAD
 △ PERFIL DE CUALQUIER SUPERFICIE
 ∩ PERFIL DE CUALQUIER LINEA
 ↑ VARIACION
 ⊕ POSICION REAL
 ⊙ CONCENTRICIDAD
 = SIMETRIA
 ASME Y14.5M 1994

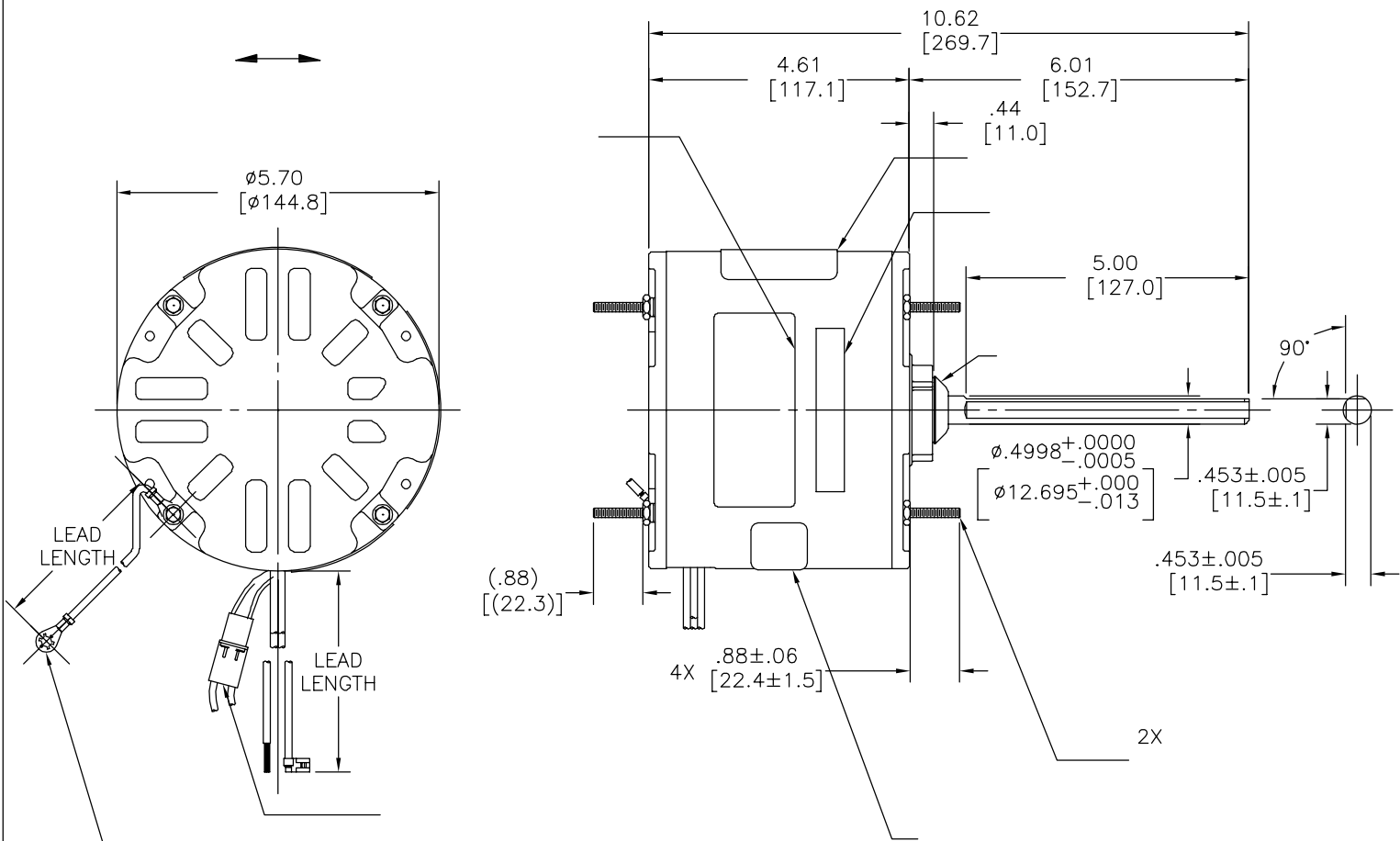
REGAL-BELOIT CORPORATION (RBC)
 PROVEE ASISTENCIA TECNICA A
 NUESTROS CLIENTES EN VARIAS AREAS.
 DESDE QUE RBC NO RECIBE TODOS
 LOS DATOS EN RELACION AL USO Y A
 LA APLICACION DEL MOTOR, LA
 APLICACION ADECUADA DEL MOTOR
 DEBE SER DETERMINADA POR EL
 CLIENTE.

DIMENSIONES SIN TOLERANCIA SON
 DE REFERENCIA SOLAMENTE

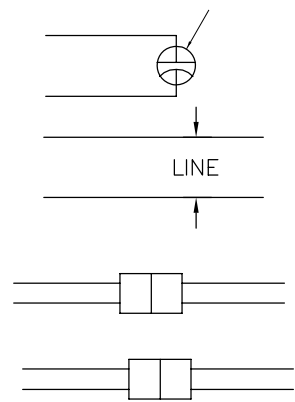
DIBUJADO POR:
 APROBADO POR:
 GOROON
 05-20-2004
 TERCER ANGULO
 DE PROYECCION
 CONFIDENCIAL: ESTE DIBUJO Y SU INFORMACION
 SON PROPIEDAD DE USO EXCLUSIVO Y CONFIDENCIAL DE
 REGAL-BELOIT CORPORATION. Y NO DEBERAN SER REVELADOS,
 DUPLICADOS, DISTRIBUIDOS O USARSE DE OTRA MANERA
 SIN EL CONSENTIMIENTO ESCRITO DE REGAL-BELOIT
 CORPORATION. -TODOS LOS DERECHOS RESERVADOS.

REGAL-BELOIT CORPORATION
 DESCRIPCION:
 MODEL-RFHP-48FR
 OUTLINE
 TAMAÑO: C NUMERO DE DIBUJO:
 11750-002
 ESCALA: NONE HOJA: 1

版本	ECO	编制	日期	批准	日期
D	0025544	I.MATA	04-26-2012	R.RASCON	.



MODEL NO.: F48U64A01
 CUST. P/N:
 HP: 1/4
 ROT.: REVERSIBLE
 RPM: 825
 TYPE: UF
 FRAME: 48Y
 VOLTS: 208-230
 PH: 1
 AMPS: 1.5(1.9 MAX)
 HZ: 60
 INS.: B
 AMB.: 60°C
 DUTY: AIR OVER
 CAP.: 5 MFD/370 V
 ENCL: SEMI-ENCL
 CSA LOGO
 UL LOGO
 THERMALLY PROTECTED



614131-115

	12.0/13.0	
	[305/330]	
	3.0/5.0	
	[76/127]	
	26.0/28.0	
	[660/711]	
	26.0/28.0	
	[660/711]	
	26.0/28.0	
	[660/711]	
	26.0/28.0	
	[660/711]	

C30583	26.1 OZ. FT.	90AC557A	E46412	PRGY2	LR43341	260-0-0
--------	--------------	----------	--------	-------	---------	---------

- 形位公差
- 平面度
 - 直线度
 - ∠ 倾斜度
 - ⊥ 垂直度
 - ∥ 平行度
 - 圆度
 - ⊘ 圆柱度
 - △ 面轮廓度
 - ∇ 线轮廓度
 - ↗ 圆跳动
 - ⊕ 位置度
 - ◎ 同轴度
 - ≡ 对称度

ASME Y14.5M 1994

REGAL-BELOIT CORPORATION (RBC) 在个别领域为客户提供技术支持。鉴于RBC未收到任何涉及电机使用和应用环境的数据，电机的适用性由客户自己决定。

未注公差尺寸仅供参考。

绘图: .
 批准: GOROON 05-20-2004
 第三角投影 图纸格式发布日期 11-11-2011
 图纸格式版本 G
 机密: 本图纸及相关信息所有权归REGAL-BELOIT CORPORATION。未经REGAL-BELOIT CORPORATION书面授权, 不得泄露、复制、传播或作其他用途。—版权所有



名称
 MODEL-RFHP-48FR
 OUTLINE

图幅	C	图号	11750-002
比例	NONE	页号	1