

GENERAL INFORMATION:

SHAFT RUNOUT: .001 [.025] T.I.R. PER INCH LENGTH OF EXTENSION

BEARINGS: BALL

MOUNTING POSITION: HORIZONTAL OR VERTICAL SHAFT UP

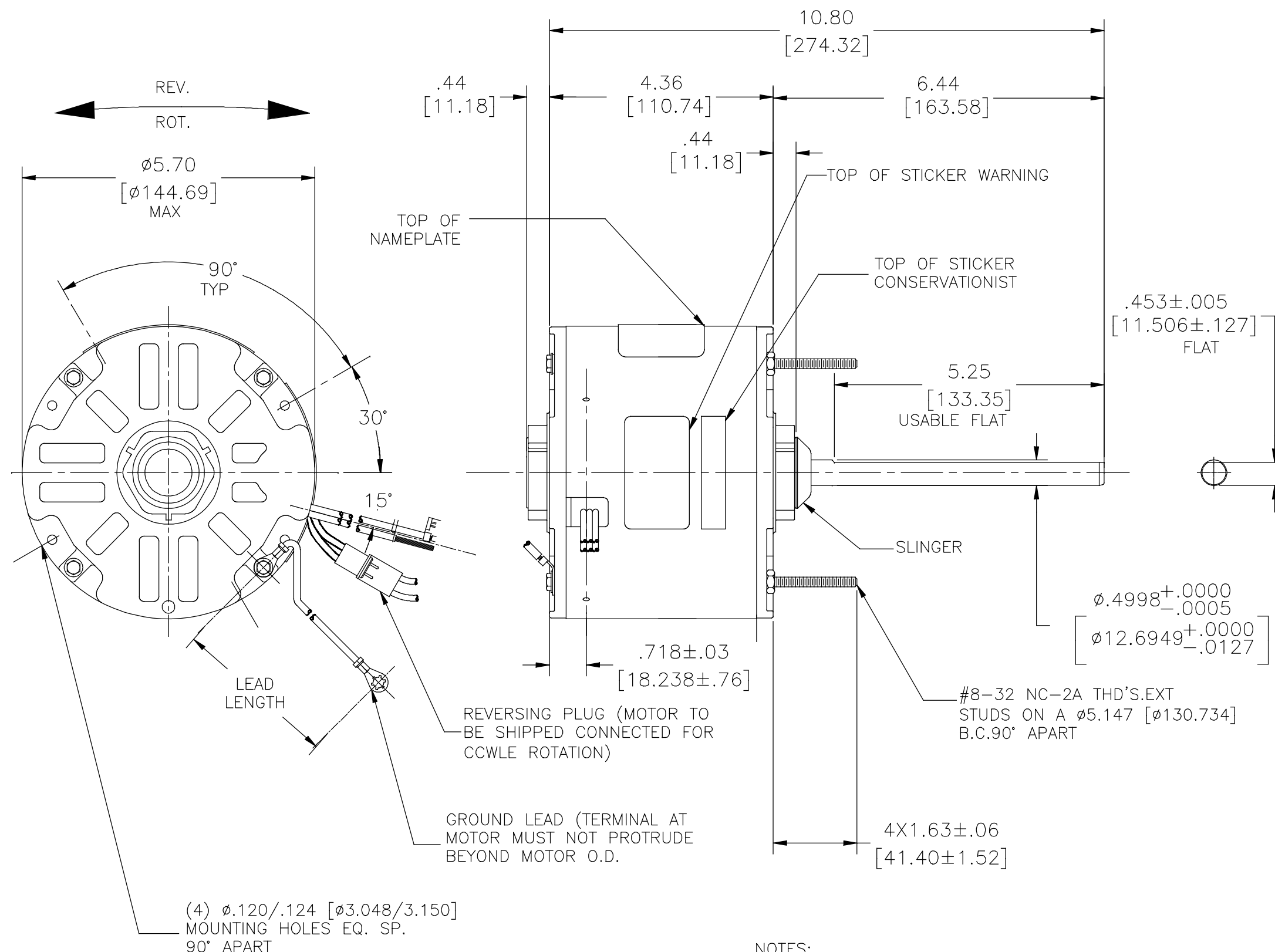
ELECTRICAL DATA:

OVERLOAD PROTECTOR: AUTOMATIC RESET (T.I. 7AM 036)

LINE LEADS: NO. 18 GA., .06 [1.52] THK. PVC 105°C INSUL.

REVERSING LEADS: NO. 18 GA., .03 [.76] THK. 125°C INSUL.

GROUND LEAD: NO. 18 GA., .03 [.76] THK. (GREEN) INSUL.



NOTES:
4X SCREWS 615982-001 TO BE PUT IN A POLYBAG & HANG ON SHAFT.

NAMEPLATE DATA:	EXTERNAL CONNECTION DIAGRAM
MODEL NO.: F48A02A01	BROWN ESP.CAP
CUST. NO.: F1026S	BRN/WHT
HP: 1/4	YELLOW
ROT: REVERSIBLE	BLACK
RPM: 1075	LINE
TYPE: UF	ROTATION
FRAME: 48Y	BLACK BLACK
VOLTS: 208-230	WHITE WHITE
PH: 1	CCWLE
AMPS: 1.4 (2.0 MAX.)	BLACK WHITE
HZ: 60/50	CWLE
INS: B	
AMB: 60C	
DUTY: AIR OVER	
CAP.: 5 MFD/370 V	
ENCL: SEMI-ENCL.	
UL & CSA LOGO	
THERMALLY PROTECTED	

614131-115

COLOR	LENGTH	TERMINAL OR STRIP LENGTH
GREEN (GROUND)	12.0/13.0 [304.8/330.2]	#10 EYELET
BLACK/WHITE	3.0/5.0 [76.2/127.0]	REVERSING PLUG
BROWN/WHITE	26.0/28.0 [660.4/711.2]	.25 [6.35] FLAG
BROWN	26.0/28.0 [660.4/711.2]	.25 [6.35] FLAG
YELLOW	26.0/28.0 [660.4/711.2]	.60 [15.24] SKIN
BLACK	26.0/28.0 [660.4/711.2]	.60 [15.24] SKIN

REGAL-BELOIT CORPORATION (RBC) PROVIDES TECHNICAL ASSISTANCE TO OUR CUSTOMERS IN SEVERAL AREAS. SINCE RBC DOES NOT RECEIVE ALL DATA CONCERNING THE USE AND APPLICATION OF THE MOTOR, THE SUITABILITY OF THE MOTOR FOR THE APPLICATION MUST BE DETERMINED BY THE CUSTOMER.

DIMENSIONS WITHOUT TOLERANCES ARE FOR REFERENCE ONLY.

MAIN FRAME - OLE	ENCLOSED
END FRAME - OLE	ENCLOSED
MAIN FRAME - LE	ENCLOSED
END FRAME - LE	OPEN

CUSTOMER DISTRIBUTION SERVICE

PERFORMANCE CURVE NO.	TORQUE @ 1075 RPM (25°C)	APPROVED SAMPLE	UL COMPONENT		CSA	
			FILE #	CCN #	FILE #	CLASS #
C30444	25.5 OZ. FT.	89AC307A	E46412	PRGY2	LR43341	4211-01

DRAWING REVISION	REVISION BY	DATE
A	SELENA.YAO	01-09-2018
ECO	APPROVED BY FRANK.JIN	DATE 01-09-2018
ECO-0317490		
ECO DESCRIPTION		
NEW RELEASE		

COPYRIGHT REGAL-BELOIT CORPORATION, INC. ALL RIGHTS RESERVED. PROPRIETARY AND CONFIDENTIAL INFORMATION - THIS DOCUMENT IS THE PROPERTY OF REGAL-BELOIT CORPORATION, INC. (OWNER) AND CONTAINS OWNER'S PROPRIETARY INFORMATION. ANY PERSON, CORPORATION OR OTHER FIRM RECEIVING IT IS DEEMED, BY RECEIVING IT, TO AGREE THAT IT, AND/OR ANY PART OF IT, SHALL NOT BE DISCLOSED TO ANY PERSON, CORPORATION OR OTHER ENTITY, DUPLICATED, AND/OR USED, EXCEPT AS EXPRESSLY APPROVED IN WRITING IN ADVANCE BY OWNER. THIS DOCUMENT SHALL BE RETURNED TO OWNER UPON REQUEST. IT MAY BE SUBJECT TO CERTAIN RESTRICTIONS UNDER APPLICABLE EXPORT CONTROL LAWS AND REGULATIONS.

ENCLOSURE	
DRAWN BY: MCNAMEE	DATE: 03-18-1991
APPROVED BY: J.SOPK	DATE: 03-18-1991
PROCESS/FINISH	
THIRD ANGLE PROJECTION	

REGAL ™ Regal Beloit America, Inc.
DESCRIPTION MODEL-RFHP-48FR OUTLINE
MATERIAL
SIZE DWG NO C F1026S
SHEET 1