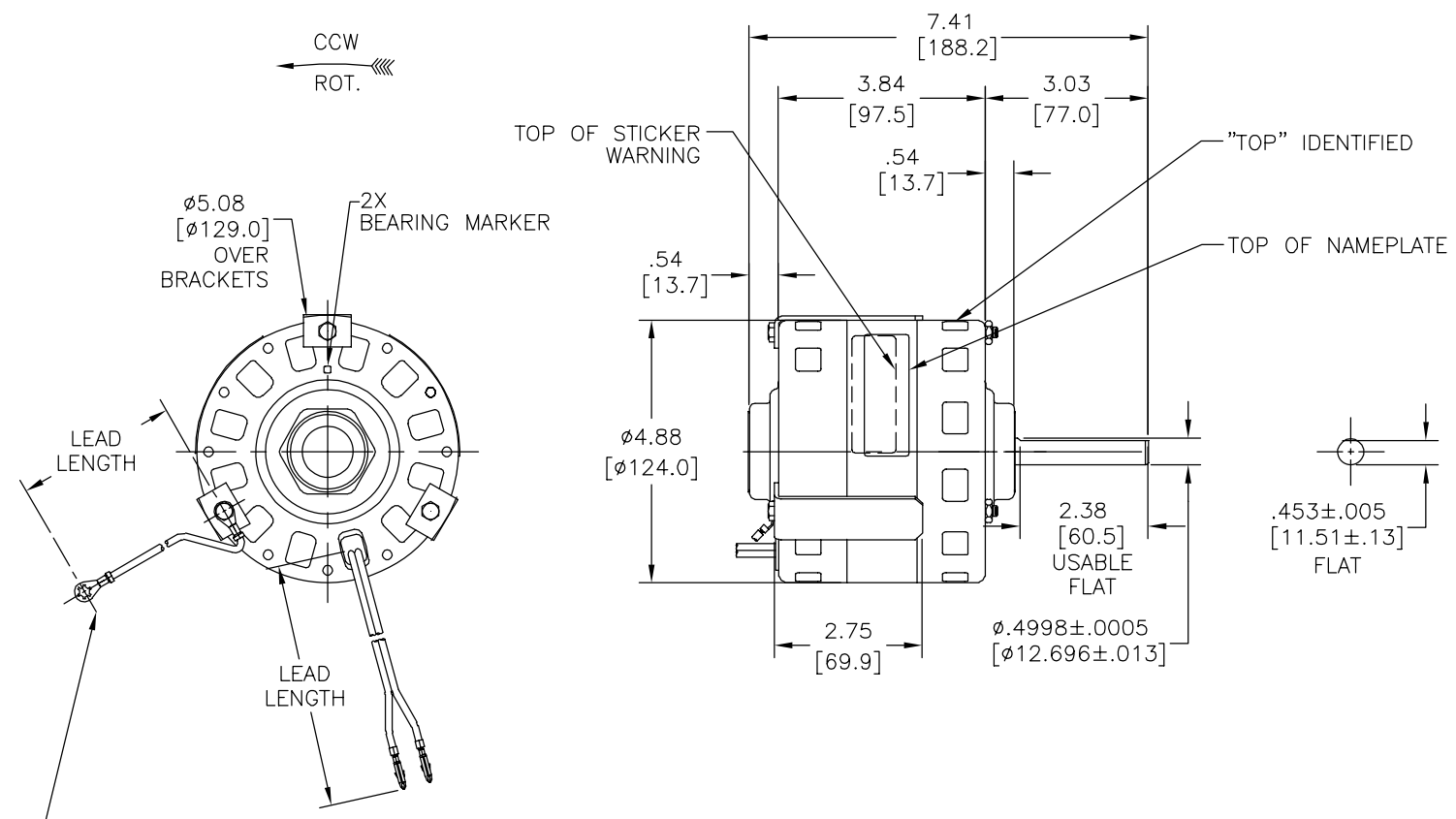


GENERAL INFORMATION:

SHAFT RUNOUT: .001 [.03] T.I.R. PER INCH LENGTH OF EXTENSION
 END PLAY: .010[.25] TO .063[1.60]
 BEARINGS: SLEEVE
 MOUNTING POSITION: ALL ANGLE
 ELECTRICAL DATA:
 OVERLOAD PROTECTOR: AUTOMATIC RESET T.I. 7AM 304
 LEADS: NO. 18 GA., .06 [1.5] THK., 125°C INSUL.
 GROUND LEAD: NO. 18 GA., .03 [.8] THK., GREEN INSUL.



GROUND LEAD TERMINAL AT MOTOR MUST NOT PROTRUDE BEYOND MOTOR O.D.

- NOTES:
1. - MOTOR SHIPPED WITH LEADS AND PIN TERMINALS INSIDE PROTECTIVE TUBE.
 2. ⊕ MAX. DIA. OVER INSUL. GRIP OF PIN TERMINAL IS .217[5.51]
 3. DISTRIBUTION: CUST. P/N: BL6408
GRAINGER: CUST. P/N: 4KA20

REGAL-BELOIT CORPORATION (RBC) PROVIDES TECHNICAL ASSISTANCE TO OUR CUSTOMERS IN SEVERAL AREAS. SINCE RBC DOES NOT RECEIVE ALL DATA CONCERNING THE USE AND APPLICATION OF THE MOTOR, THE SUITABILITY OF THE MOTOR FOR THE APPLICATION MUST BE DETERMINED BY THE CUSTOMER.

DIMENSIONS WITHOUT TOLERANCES ARE FOR REFERENCE ONLY.

NAMEPLATE DATA:	EXTERNAL CONNECTION DIAGRAM
MODEL NO: B42A83A01 CUST. P/N: [] HP: 1/10 ROT.: CCWLE RPM: 1050 TYPE: FE FRAME: 42Y VOLTS: 115 PH: 1 AMPS: 3.9 HZ: 60 INS.: B AMB: 40°C DUTY: AIR OVER CAP.: - CSA LOGO UL LOGO THERMALLY PROTECTED TYPE C	

SEE NOTE 3

PERFORMANCE CURVE NO.	TORQUE @ 1050 RPM (25°C)	APPROVED SAMPLE	UL COMPONENT		CSA	
			FILE #	GUIDE #	FILE #	GUIDE #
C32066	9.44 OZ. FT.	0442671B	E46412	PRGY2	LR43341	260-ø-0

COLOR	LENGTH	TERMINAL OR STRIP LENGTH
GREEN(GRD)	6/7 [152/178]	#10 EYELET
2 COND. RIPCORD	26/28 [660/711]	AMP PIN #350538-1

ENCLOSURE	
MAIN FR. - OLE	OPEN
END FR. - OLE	OPEN
MAIN FR. - LE	OPEN
END FR. - LE	OPEN

CUST	DISTRIBUTION SERVICES

DRAWING REVISION	REVISION BY	DATE
F	R.ZHOU	04-14-2015
ECO	C.ZHANG	04-14-2015

ECO-0075731
 SEE ECO

COPYRIGHT REGAL-BELOIT CORPORATION. ALL RIGHTS RESERVED. PROPRIETARY AND CONFIDENTIAL INFORMATION - THIS DOCUMENT IS THE PROPERTY OF REGAL-BELOIT CORPORATION AND CONTAINS CONFIDENTIAL INFORMATION. ANY PERSON, CORPORATION OR OTHER FIRM RECEIVING IT IS DEEMED TO HAVE AGREED THAT IT, AND/OR ANY PART OF IT, SHALL NOT BE DISCLOSED TO ANY PERSON, CORPORATION OR OTHER ENTITY, IN ANY MANNER, WITHOUT THE EXPRESS WRITTEN APPROVAL OF REGAL-BELOIT CORPORATION. THIS DOCUMENT SHALL BE RETURNED TO REGAL-BELOIT CORPORATION UPON REQUEST. IT MAY BE SUBJECT TO CERTAIN RESTRICTIONS UNDER APPLICABLE EXPORT CONTROL LAWS AND REGULATIONS.

DRAWN BY:	REGAL Regal Beloit America, Inc.
DATE:	DESCRIPTION
APPROVED BY:	MODEL-RFHP-48FR
DATE:	OUTLINE
PROCESS/FINISH:	MATERIAL
THIRD ANGLE PROJECTION	SIZE DWG NO
	11722-004
	SHEET 1