

4

3

2

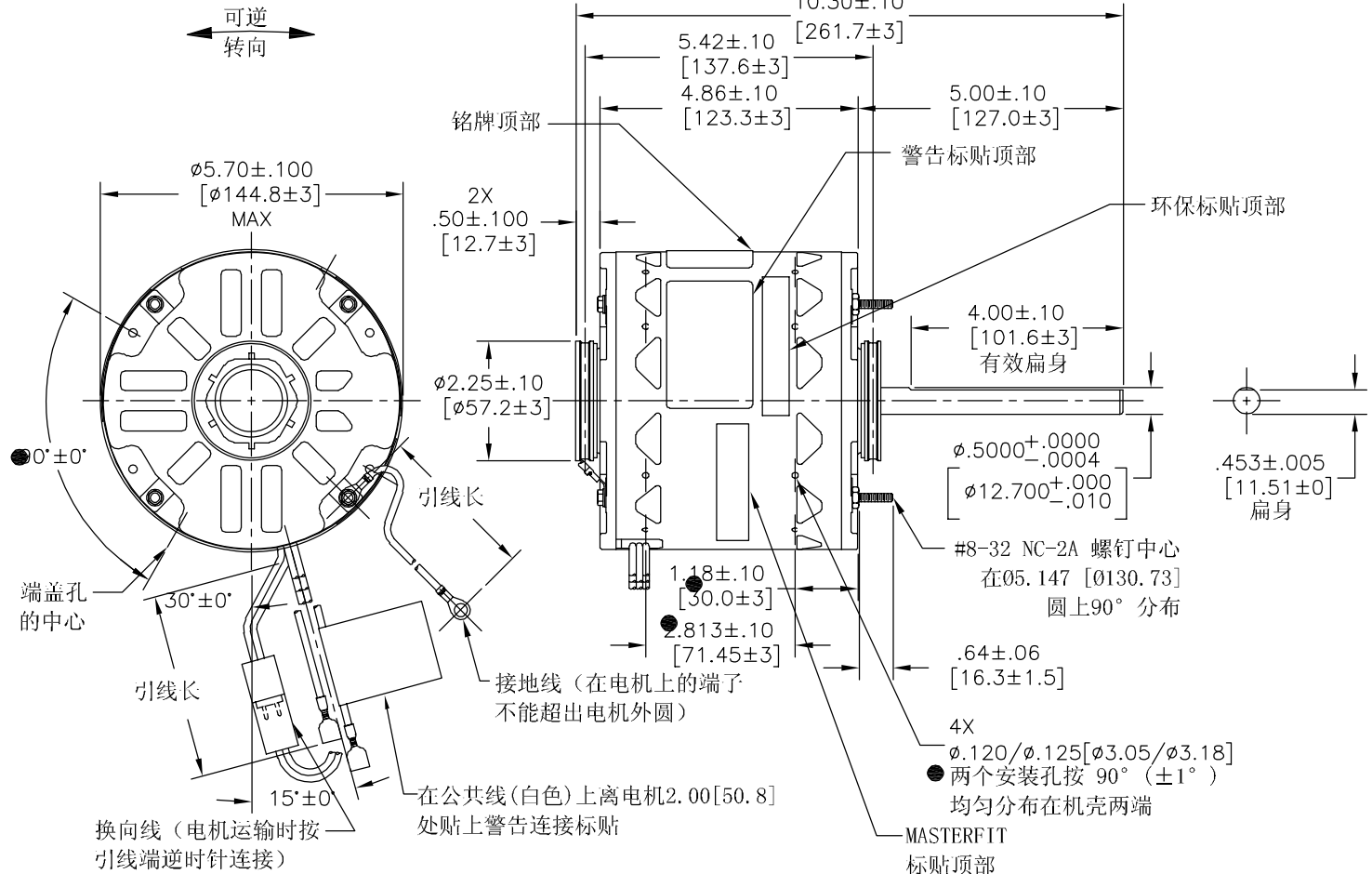
1

总要求:

- 轴跳动: .001 [.03] (外伸轴)
 - 轴承: 球轴承
 - 安装位置: 水平
- 电气数据:
- 过载保护: 自动复位 (T. I. 7AM 036)
 - 引线: 18 GA., .03 [.8] 厚, 125° C XLP 绝缘
 - 换向引线: 18 GA., .03 [.8] 厚, 125° C XLP 绝缘
 - 接地线: 18 GA., .03 [.8] 厚, (绿色) 绝缘

- 技术要求:
- 表示重要特性。
 - 4个开口环参考615035 (或者53P26-1, 只用于墨西哥), 8个615982-001螺钉, 1个电容2509074-001, 一个卡箍 (2518746-001) 装在塑料袋中和电机一起装运。

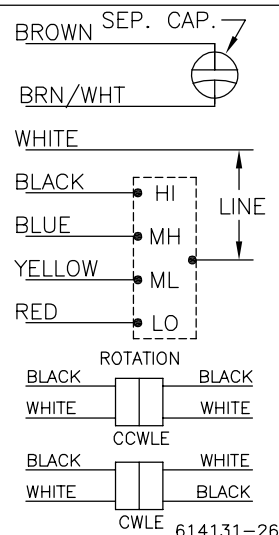
版本	ECO	编制	日期	批准	日期
E	0039779	G. RODRIGUEZ	01-28-2014	TERESITA REYES	01-28-2014



铭牌数据

外部连接详图

MODEL NO.: F48AD82A01
 CUST. P/N: FD6001A
 HP: 3/4-1/5
 ROT.: REVERSIBLE
 RPM: 1075/4 SPD.
 TYPE: UF
 FRAME: 48
 VOLTS: 208-230
 PH: 1
 AMPS: 4.0 MAX.
 HZ: 60
 INS.: B
 AMB.: 40° C
 DUTY: AIR OVER
 CAP.: 10 OR 5 MFD/370V
 ENCL: OPEN
 UL LOGO
 CSA LOGO
 THERMALLY PROTECTED



绿色 (接地)	9.0/11.0 [229/279]	.25 [6.4] 环形端子
黑色/白色	3.0/5.0 [76/127]	回形插
棕色	36.5/39.5 [927/1003]	.25 [6.4] 旗形插
棕色/白色	36.5/39.5 [927/1003]	.25 [6.4] 旗形插
红色	36.5/39.5 [927/1003]	.25 [6.4] 旗形插
黄色	36.5/39.5 [927/1003]	.25 [6.4] 旗形插
蓝色	36.5/39.5 [927/1003]	.25 [6.4] 旗形插
黑色	36.5/39.5 [927/1003]	.25 [6.4] 旗形插
白色	36.5/39.5 [927/1003]	.25 [6.4] 旗形插
颜色	长度	端子或剥线长度

非引线端机壳	开放
非引线端端盖	开放
引线端机壳	开放
引线端端盖	开放

用户 分销

性能曲线编号	转矩在1075RPM (25° C)	批准样品	UL部件			
C32037	57.2 OZ. FT.	0143718A	文件号	指南	文件号	指南
			E46412	PRGY2	LR43341	4211-01

- 形位公差
- 平面度
 - 直线度
 - ∠ 倾斜度
 - ⊥ 垂直度
 - // 平行度
 - 圆度
 - ⊘ 圆柱度
 - ⌒ 面轮廓度
 - ⌒ 线轮廓度
 - ↗ 圆跳动
 - ⊕ 位置度
 - ⊙ 同轴度
 - ≡ 对称度

REGAL-BELOIT CORPORATION (RBC) 在个别领域为客户 提供技术支持。鉴于RBC 未收到任何涉及电机使用和 应用环境的数据, 电机的适用性 由客户自己决定。

未注公差尺寸仅供参考。

绘图:	R.RASCON	05-30-2011
批准:	J.FRANK	05-30-2011
第三角投影		图纸格式发布日期 11-11-2011 图纸格式版本 H
机密:	本图纸及相关信息所有权归REGAL-BELOIT CORPORATION。 未经REGAL-BELOIT CORPORATION书面授权, 不得泄露、 复制、传播或作其他用途。—版权所有	

REGAL REGAL-BELOIT CORPORATION

名称: MODEL-RFHP-48FR OUTLINE

图幅: C 图号: FD6001A

比例: NONE 页号: 1

4

3

2

1

4

3

2

1

REV	ECO	REV BY	DATE	APPD	DATE
E	0039779	G. RODRIGUEZ	01-28-2014	TERESITA REYES	01-28-2014

GENERAL INFORMATION:

SHAFT RUNOUT: .001[.03] T.I.R. PER INCH LENGTH OF EXTENSION

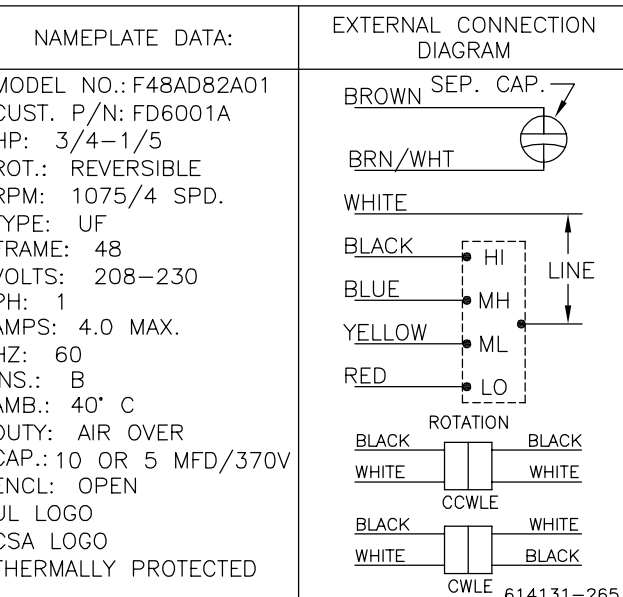
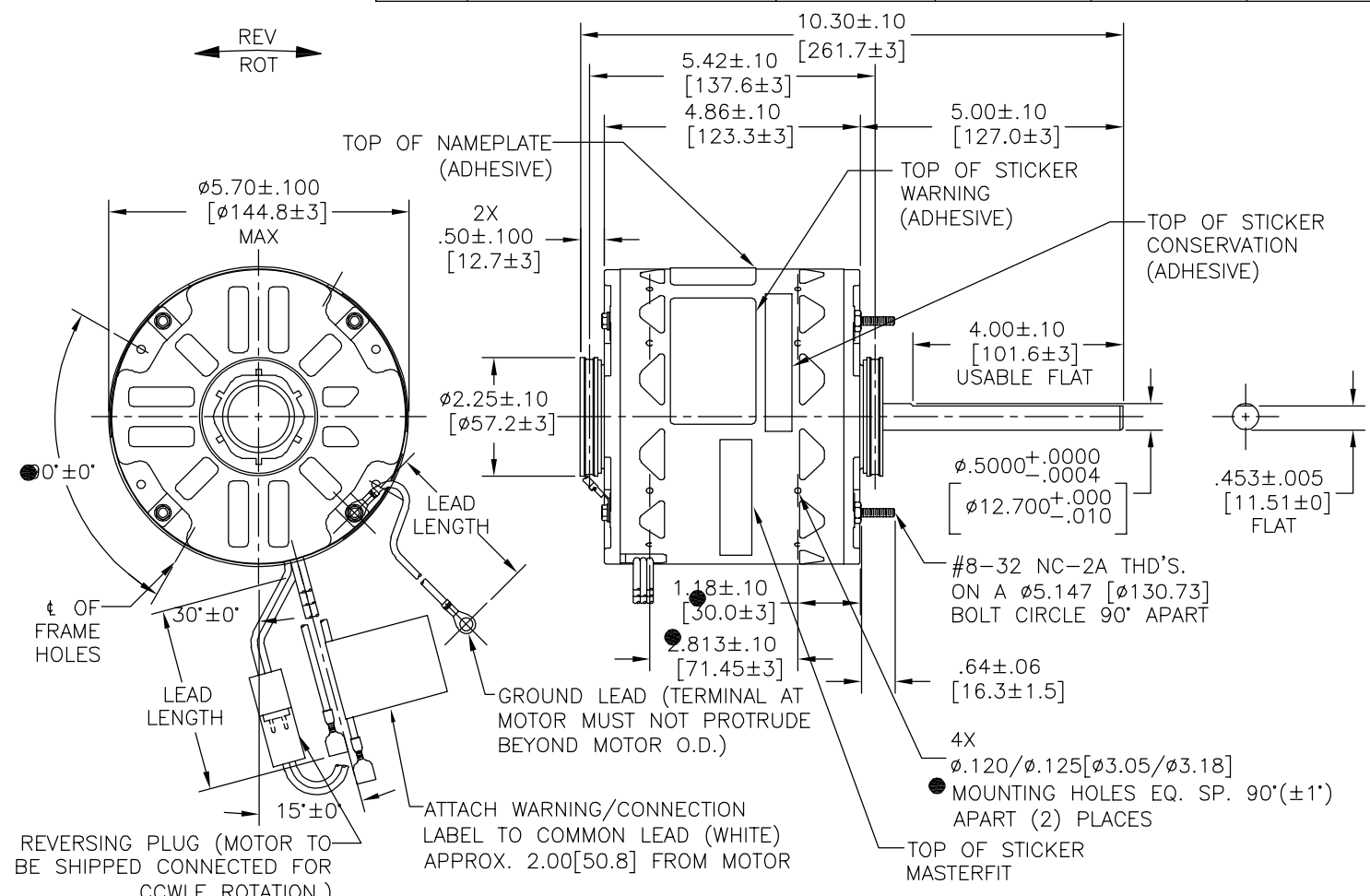
BEARINGS: BALL
MOUNTING POSITION: HORIZONTAL

ELECTRICAL DATA:

OVERLOAD PROTECTOR: AUTOMATIC RESET (SENSATA 7AM 036)
LINE LEADS: NO. 18 GA., .03[.8] THK. XLP 125°C INSUL.
REVERSING PLUGS: NO. 18 GA., .03[.8] THK. XLP 125°C INSUL.
GROUND LEAD: NO. 18 GA., .03[.8] THK. (GREEN) INSUL.

NOTES:

- DENOTES CRITICAL CHARACTERISTICS.
- (4) SPLIT RING ADAPTOR 615035, (OR 53P26-1 ONLY USED IN MEXICO)
(8) SCREWS 615982-001, (1) 2518746-001 CLAMP AND ADD QTY 1 2509074-001 CAPACITOR TO BE PUT IN A POLYBAG & BE PACKED WITH EACH MOTOR.



GREEN (GROUND)	9.0/11.0 [229/279]	.25[6.4] RING
BLACK/WHITE	3.0/5.0 [76/127]	REVERSING PLUG
BROWN	36.5/39.5 [927/1003]	.25[6.4] FEMALE
BROWN/WHITE	36.5/39.5 [927/1003]	.25[6.4] FEMALE
RED	36.5/39.5 [927/1003]	.25[6.4] FEMALE
YELLOW	36.5/39.5 [927/1003]	.25[6.4] FEMALE
BLUE	36.5/39.5 [927/1003]	.25[6.4] FEMALE
BLACK	36.5/39.5 [927/1003]	.25[6.4] FEMALE
WHITE	36.5/39.5 [927/1003]	.25[6.4] FEMALE
COLOR	LENGTH	TERMINAL OR STRIP LENGTH

MAIN FRAME - OLE	OPEN
END FRAME - OLE	OPEN
MAIN FRAME - LE	OPEN
END FRAME - LE	OPEN

CUSTOMER	DISTRIBUTION SERVICE
----------	----------------------

PERFORMANCE CURVE NO.	TORQUE @1075 RPM (25°C)	APPROVED SAMPLE	UL COMPONENT FILE #	CCN #	CSA FILE #	CLASS #
C32037	57.2 OZ. FT.	0143718A	E46412	PRGY2	LR43341	4211-01

GEOMETRIC CHARACTERISTICS & SYMBOLS
 □ FLATNESS
 — STRAIGHTNESS
 < ANGLARITY
 ⊥ PERPENDICULARITY (SQUARENESS)
 // PARALLELISM
 ○ ROUNDNESS (CIRCULARITY)
 ∅ CYLINDRICITY
 △ PROFILE OF ANY SURFACE
 ∩ PROFILE OF ANY LINE
 ∠ RUNOUT
 ⊕ TRUE POSITION
 ⊙ CONCENTRICITY
 = SYMMETRY
 ASME Y14.5M 1994

REGAL-BELOIT CORPORATION (RBC) PROVIDES TECHNICAL ASSISTANCE TO OUR CUSTOMERS IN SEVERAL AREAS. SINCE RBC DOES NOT RECEIVE ALL DATA CONCERNING THE USE AND APPLICATION OF THE MOTOR, THE SUITABILITY OF THE MOTOR FOR THE APPLICATION MUST BE DETERMINED BY THE CUSTOMER.
 DIMENSIONS WITHOUT TOLERANCES ARE FOR REFERENCE ONLY.

DR BY: R.RASCON 05-30-2011
 APPD: J.FRANK 05-30-2011
 EDS DATE 11-11-2011
 FORMAT REV H
 THIRD ANGLE PROJECTION
 CONFIDENTIAL: THIS DRAWING AND ITS INFORMATION ARE THE EXCLUSIVE AND CONFIDENTIAL PROPERTY OF REGAL-BELOIT CORPORATION AND ARE NOT TO BE DISCLOSED, DUPLICATED, DISTRIBUTED OR OTHERWISE USED WITHOUT THE WRITTEN CONSENT OF REGAL-BELOIT CORPORATION. -ALL RIGHTS RESERVED.

REGAL REGAL-BELOIT CORPORATION

DESCRIPTION: MODEL-RFHP-48FR OUTLINE

SIZE: C DWG NO: FD6001A

SCALE: NONE SHEET: 1

4

3

2

1

4

3

2

1

REVISION:	ECO	REVISADO POR:	FECHA:	APROBADO POR:	FECHA:
E	0039779	G. RODRIGUEZ	01-28-2014	TERESITA REYES	01-28-2014

INFORMACION GENERAL:

OSCILACION DE FLECHA: .001[.03] L.T.I. POR PULGADA DE LONGITUD DE EXTENSION

BALERO: BALINES

POSICION DE MONTAJE: HORIZONTAL

INFORMACION ELECTRICA:

PROTECTOR DE SOBRECARGA: REINICIO AUTOMATICO (SENSATA 7AM 036)

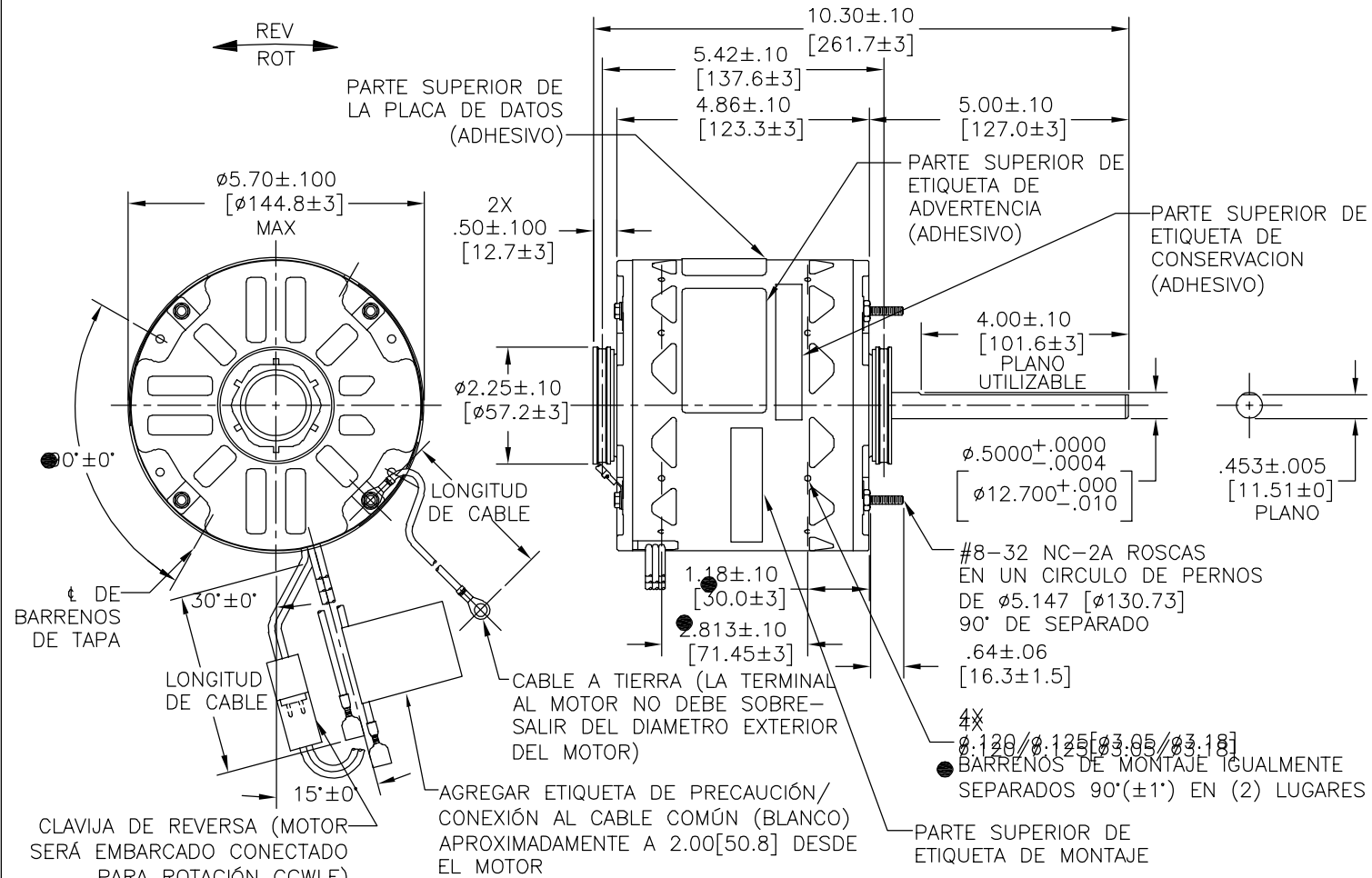
CABLES: NO. 18 CALIBRE, .03[.8] GROSOR. XLP 125°C AISLANTE.

CLAVIJA DE REVERSA: NO. 18 CALIBRE, .03[.8] GROSOR XLP 125°C AISLANTE.

CABLE DE TIERRA: NO. 18 CALIBRE, .03[.8] GROSOR AISLANTE (VERDE)

NOTAS:

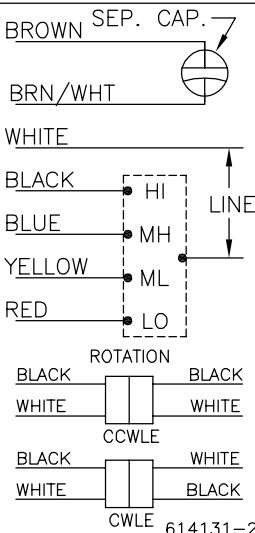
- INDICA CARACTERISTICAS CRITICAS.
- (4) ANILLO ADAPTADOR CON RANURA 615035, (0 53P26-1 SOLO USADO EN MEXICO) (8) TORNILLOS 615982-001, (1) ABRAZADERA 2518746-001 Y (1) CAPACITOR 2509074-001 SERAN PUESTOS EN UNA BOLSA DE POLIETILENO Y SERAN EMPACADOS CON CADA MOTOR.



INFO DE PLACA DE DATOS:

MODEL NO.: F48AD82A01
 CUST. P/N: FD6001A
 HP: 3/4-1/5
 ROT.: REVERSIBLE
 RPM: 1075/4 SPD.
 TYPE: UF
 FRAME: 48
 VOLTS: 208-230
 PH: 1
 AMPS: 4.0 MAX.
 HZ: 60
 INS.: B
 AMB.: 40° C
 DUTY: AIR OVER
 CAP.: 10 OR 5 MFD/370V
 ENCL: OPEN
 UL LOGO
 CSA LOGO
 THERMALLY PROTECTED

DIAGRAMA DE CONEXION EXTERNA



VERDE (TIERRA)	9.0/11.0 [229/279]	.25[6.4] ANILLO
NEGRO/BLANCO	3.0/5.0 [76/127]	CLAVIJA DE REVERSA
CAFE	36.5/39.5 [927/1003]	.25[6.4] HEMBRA
CAFE/BLANCO	36.5/39.5 [927/1003]	.25[6.4] HEMBRA
ROJO	36.5/39.5 [927/1003]	.25[6.4] HEMBRA
AMARILLO	36.5/39.5 [927/1003]	.25[6.4] HEMBRA
AZUL	36.5/39.5 [927/1003]	.25[6.4] HEMBRA
NEGRO	36.5/39.5 [927/1003]	.25[6.4] HEMBRA
BLANCO	36.5/39.5 [927/1003]	.25[6.4] HEMBRA
COLOR	LONGITUD	TERMNAL O LONGITUD DE DESFORRE

CARCAZA - OLE	ABIERTO
TAPA - OLE	ABIERTO
CARCAZA - LE	ABIERTO
TAPA - LE	ABIERTO

CLIENTE

CARACTERISTICAS DE GEOMETRIA Y SIMBOLOS
 ▽ PLANICIDAD
 — RECTITUD
 < ANGULARIDAD
 ⊥ PERPENDICULARIDAD (A ESCUADRA)
 // PARALELISMO
 ○ REDONDEZ (CIRCULARIDAD)
 ∅ CILINDRICIDAD
 △ PERFIL DE CUALQUIER SUPERFICIE
 ∩ PERFIL DE CUALQUIER LINEA
 ↗ VARIACION
 ⊕ POSICION REAL
 ⊙ CONCENTRICIDAD
 = SIMETRIA

REGAL-BELOIT CORPORATION (RBC) PROVEE ASISTENCIA TECNICA A NUESTROS CLIENTES EN VARIAS AREAS, DESDE QUE RBC NO RECIBE TODOS LOS DATOS EN RELACION AL USO Y A LA APLICACION DEL MOTOR, LA APLICACION ADECUADA DEL MOTOR DEBE SER DETERMINADA POR EL CLIENTE.

DIMENSIONES SIN TOLERANCIA SON DE REFERENCIA SOLAMENTE

DIBUJADO POR: R.RASCON 05-30-2011
 APROBADO POR: J.FRANK 05-30-2011
 TERCER ANGULO DE PROYECCION
 CONFIDENCIAL: ESTE DIBUJO Y SU INFORMACION SON PROPIEDAD DE USO EXCLUSIVO Y CONFIDENCIAL DE REGAL-BELOIT CORPORATION. Y NO DEBERAN SER REVELADOS, DUPLICADOS, DISTRIBUIDOS O USARSE DE OTRA MANERA SIN EL CONSENTIMIENTO ESCRITO DE REGAL-BELOIT CORPORATION. -TODOS LOS DERECHOS RESERVADOS.



DESCRIPCION: MODEL-RFHP-48FR OUTLINE
 TAMAÑO: C NUMERO DE DIBUJO: FD6001A
 ESCALA: NONE HOJA: 1

4

3

2

1