

4

3

2

1

总技术要求:

轴跳动: .001 [.03] (外伸轴)

端部窜动量

轴承: 滑动轴承

安装位置: 水平

电气数据:

过载保护: 自动复位 (T. I. 7AM 036)

引线: 18 GA., .03 [.8] 厚. 125° C XLP 绝缘

换向引线: 18 GA., .03 [.8] 厚. 125° C XLP 绝缘

接地线: 18 GA., .03 [.8] 厚. (绿色) 绝缘

见技术要求 3

铭牌数据	外部数据连接图
MODEL NO.: F48AD81A01 CUST. P/N: FD6000A HP: 1/2-1/6 ROT.: REVERSIBLE RPM: 1075/4 SPD. TYPE: UF FRAME: 48 VOLTS: 208-230 PH: 1 AMPS: 3.9 MAX. HZ: 60 INS.: B AMB.: 40° C DUTY: AIR OVER CAP.: 10 OR 5 MFD/370 V ENCL: OPEN UL LOGO CSA LOGO THERMALLY PROTECTED	

性能曲线编号	转矩在 @1075 RPM (25° C)	批准样品	UL 部件		CSA	
			文件号	指南	文件号	指南
C31865	56.7 OZ. FT.	99AC166A	E46412	PRGY2	LR43341	4211-01

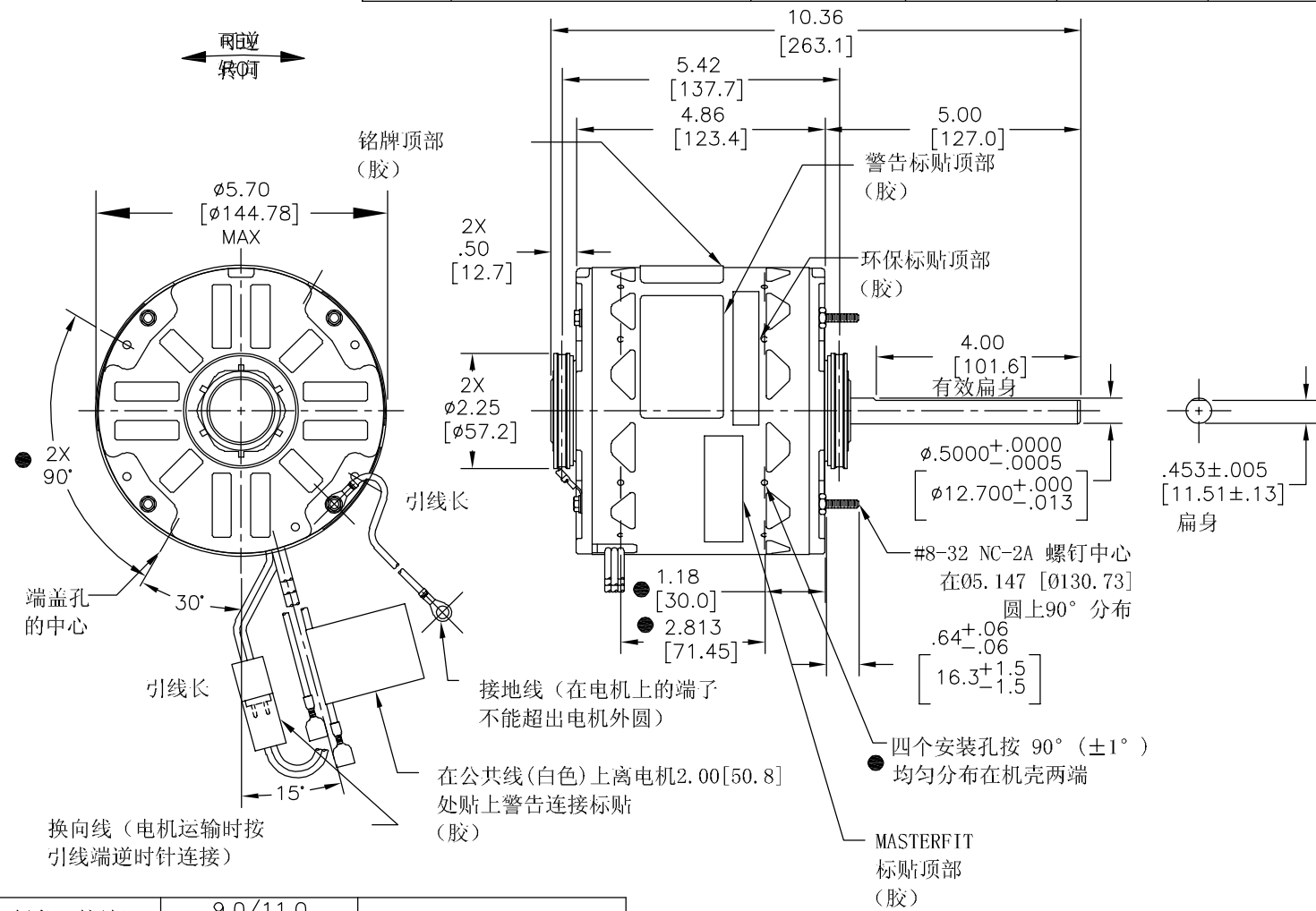
形位公差
 □ 平面度
 — 直线度
 < 倾斜度
 ⊥ 垂直度
 // 平行度
 ○ 圆度
 ⊙ 圆柱度
 ⌒ 面轮廓度
 △ 线轮廓度
 ⤴ 圆跳动
 ⊕ 位置度
 ⊗ 对称度

ASME Y14.5M 1994

REGAL-BELOIT CORPORATION (RBC) 在个别领域为客户提供技术支持。鉴于 RBC 未收到任何涉及电机使用和应用环境的数据，电机的适用性由客户自己决定。

未注公差尺寸仅供参考。

版本	ECO	编制	日期	批准	日期
H	0039779	G. RODRIGUEZ	01-28-2014	TERESITA REYES	01-28-2014



绿色 (接地)	9.0/11.0 [229/279]	.25 [6.4] 环形端子
黑色/白色	3.0/5.0 [76/127]	回形插
棕色	36.5/39.5 [927/1003]	.25 [6.4] 旗形插
棕色/白色	36.5/39.5 [927/1003]	.25 [6.4] 旗形插
红色	36.5/39.5 [927/1003]	.25 [6.4] 旗形插
黄色	36.5/39.5 [927/1003]	.25 [6.4] 旗形插
蓝色	36.5/39.5 [927/1003]	.25 [6.4] 旗形插
黑色	36.5/39.5 [927/1003]	.25 [6.4] 旗形插
白色	36.5/39.5 [927/1003]	.25 [6.4] 旗形插
颜色	长度	端子或剥线长度

技术要求:

- 标有 ⊗ 为关键要求。
- 将4个弹垫 (615035) (或53P26-1 只用于墨西哥); 8个螺钉 (615982-001) 和1个电容器 (2509074-001), 一个卡箍 (2518746-001) 装在一个小塑料袋内并附在每台电机的包装箱中
- 分销客户代码为: FD6000A.

无引线端机壳	开放
有引线端端盖	开放
有引线端机壳	开放
无引线端端盖	开放

用户 DISTRIBUTION SERVICE

绘图: R.RASCON 05-26-2011
 批准: J.FRANK 05-26-2011
 第三角投影
 图框格式发布日期 11-11-2011
 图框格式版本 H
 机密: 本图纸及相关信息所有权归 REGAL-BELOIT CORPORATION 未经 REGAL-BELOIT CORPORATION 书面授权, 不得泄露、复制、传播或作其他用途。— 版权所有

REGAL-BELOIT CORPORATION	
名称	MODEL-RFHP-48FR OUTLINE
图幅	C
图号	FD6000A
比例	NONE
页号	1

4

3

2

1

4

3

2

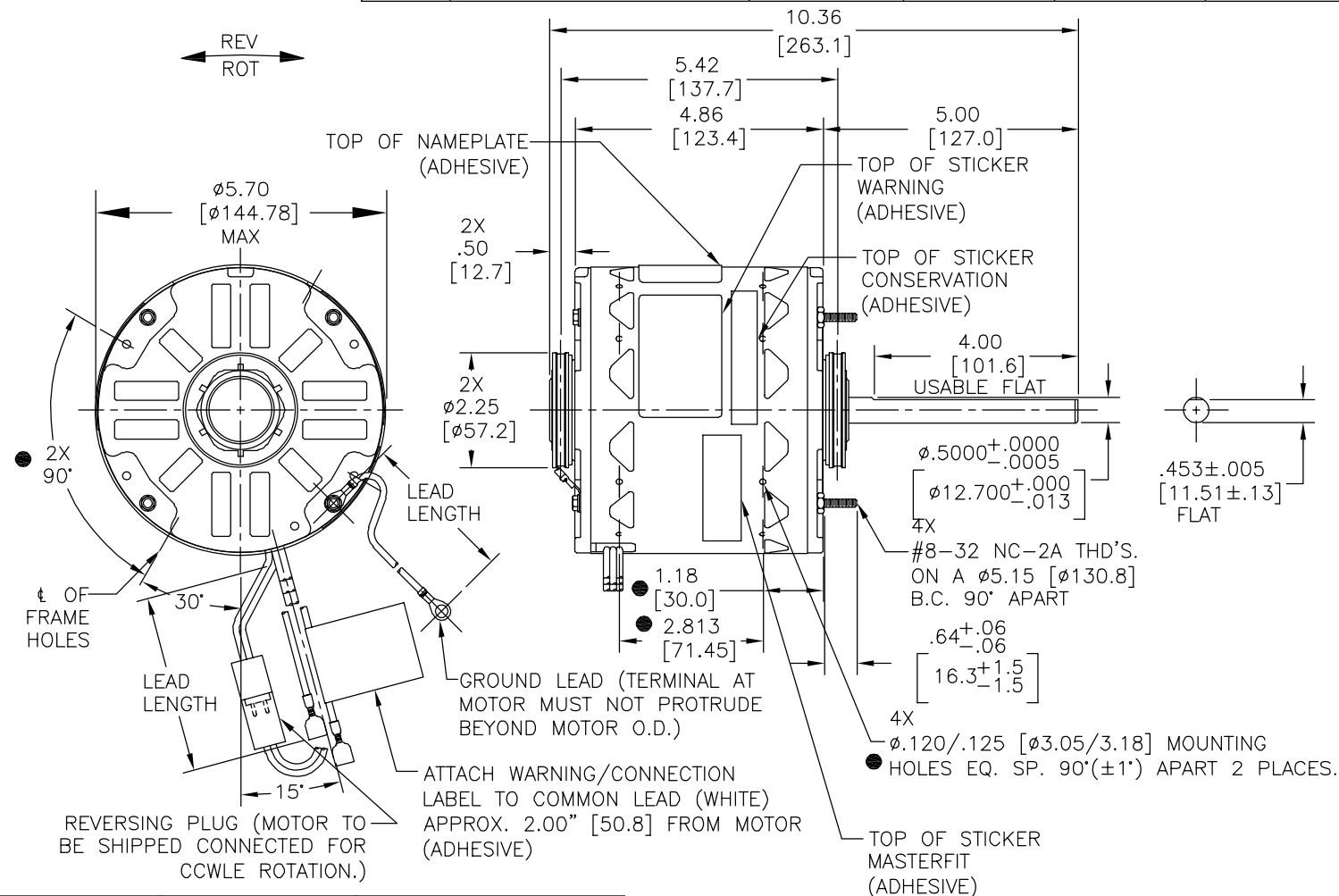
1

REV	ECO	REV BY	DATE	APPD	DATE
H	0039779	G. RODRIGUEZ	01-28-2014	TERESITA REYES	01-28-2014

GENERAL INFORMATION:

SHAFT RUNOUT: .001[.03] T.I.R. PER INCH LENGTH OF EXTENSION
 END PLAY: .010 TO .063[.25 TO 1.60]
 BEARINGS: SLEEVE
 MOUNTING POSITION: HORIZONTAL
 ELECTRICAL DATA:
 OVERLOAD PROTECTOR: AUTOMATIC RESET (SENSATA 7AM 036)
 LEADS: NO. 18 GA., .03[.8] THK. XLP 125°C INSUL.
 REVERSING PLUGS: NO. 18 GA., .03[.8] THK. XLP 125°C INSUL.
 GROUND LEAD: NO. 18 GA., .03[.8] THK. (GREEN) INSUL.

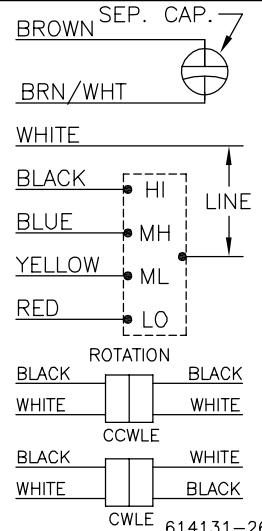
- NOTES:
 1. ● DENOTES CRITICAL CHARACTERISTICS.
 2. (4) SPLIT RING ADAPTOR 615035 (OR 53P26-1 ONLY USED IN MEXICO), (8) SCREWS 615982-001, (1) 2518746-001 CLAMP AND (1) CAPACITOR 2509074-001 TO BE PUT IN A POLYBAG & BE PACKED WITH EACH MOTOR.



NAMEPLATE DATA:

EXTERNAL CONNECTION DIAGRAM

MODEL NO.: F48AD81A01
 CUST. P/N: FD6000A
 HP: 1/2-1/6
 ROT.: REVERSIBLE
 RPM: 1075/4 SPD.
 TYPE: UF
 FRAME: 48
 VOLTS: 208-230
 PH: 1
 AMPS: 3.9 MAX.
 HZ: 60
 INS.: B
 AMB.: 40° C
 DUTY: AIR OVER
 CAP.: 10 OR 5 MFD/370 V
 ENCL: OPEN
 UL LOGO
 CSA LOGO
 THERMALLY PROTECTED



GREEN (GROUND)	9.0/11.0 [229/279]	.25 [6.4] RING
BLACK/WHITE	3.0/5.0 [76/127]	REVERSING PLUG
BROWN	36.5/39.5 [927/1003]	.25[6.4] FEMALE
BROWN/WHITE	36.5/39.5 [927/1003]	.25[6.4] FEMALE
RED	36.5/39.5 [927/1003]	.25[6.4] FEMALE
YELLOW	36.5/39.5 [927/1003]	.25[6.4] FEMALE
BLUE	36.5/39.5 [927/1003]	.25[6.4] FEMALE
BLACK	36.5/39.5 [927/1003]	.25[6.4] FEMALE
WHITE	36.5/39.5 [927/1003]	.25[6.4] FEMALE
COLOR	LENGTH	TERMINAL OR STRIP LENGTH

MAIN FRAME - OLE	OPEN
END FRAME - OLE	OPEN
MAIN FRAME - LE	OPEN
END FRAME - LE	OPEN

CUSTOMER	DISTRIBUTION SERVICE
----------	----------------------

PERFORMANCE CURVE NO.	TORQUE @1075 RPM (25°C)	APPROVED SAMPLE	UL COMPONENT FILE #	CCN #	CSA FILE #	CLASS #
C31865	56.7 OZ. FT.	99AC166A	E46412	PRGY2	LR43341	4211-01

GEOMETRIC CHARACTERISTICS & SYMBOLS
 ▮ FLATNESS
 — STRAIGHTNESS
 ∠ ANGULARITY
 ⊥ PERPENDICULARITY (SQUARENESS)
 // PARALLELISM
 ○ ROUNDNESS (CIRCULARITY)
 ∅ CYLINDRICITY
 △ PROFILE OF ANY SURFACE
 ∩ PROFILE OF ANY LINE
 ↗ RUNOUT
 ⊕ TRUE POSITION
 ⊙ CONCENTRICITY
 = SYMMETRY
 ASME Y14.5M 1994

REGAL-BELOIT CORPORATION (RBC) PROVIDES TECHNICAL ASSISTANCE TO OUR CUSTOMERS IN SEVERAL AREAS. SINCE RBC DOES NOT RECEIVE ALL DATA CONCERNING THE USE AND APPLICATION OF THE MOTOR, THE SUITABILITY OF THE MOTOR FOR THE APPLICATION MUST BE DETERMINED BY THE CUSTOMER.
 DIMENSIONS WITHOUT TOLERANCES ARE FOR REFERENCE ONLY.

DR BY: R.RASCON 05-26-2011
 APPD: J.FRANK 05-26-2011
 THIRD ANGLE PROJECTION
 CONFIDENTIAL: THIS DRAWING AND ITS INFORMATION ARE THE EXCLUSIVE AND CONFIDENTIAL PROPERTY OF REGAL-BELOIT CORPORATION AND ARE NOT TO BE DISCLOSED, DUPLICATED, DISTRIBUTED OR OTHERWISE USED WITHOUT THE WRITTEN CONSENT OF REGAL-BELOIT CORPORATION. -ALL RIGHTS RESERVED.

REGAL REGAL-BELOIT CORPORATION

DESCRIPTION: MODEL-RFHP-48FR OUTLINE

SIZE: C DWG NO: FD6000A

SCALE: NONE SHEET: 1

4

3

2

1

4

3

2

1

REVISION:	ECO	REVISADO POR:	FECHA:	APROBADO POR:	FECHA:
H	0039779	G. RODRIGUEZ	01-28-2014	TERESITA REYES	01-28-2014

INFORMACION GENERAL:

OSCILACION DE FLECHA: .001[.03] L.T.I. POR PULGADA DE EXTENSION

JUEGO AXIAL: .010 A .063 [.25 A 1.60]

BALEROS: MANGA

POSICION DEL MONTAJE: HORIZONTAL

INFORMACION ELECTRICA:

PROTECTOR DE SOBRECARGA: REINICIO AUTOMATICO (SENSATA 7AM 036)

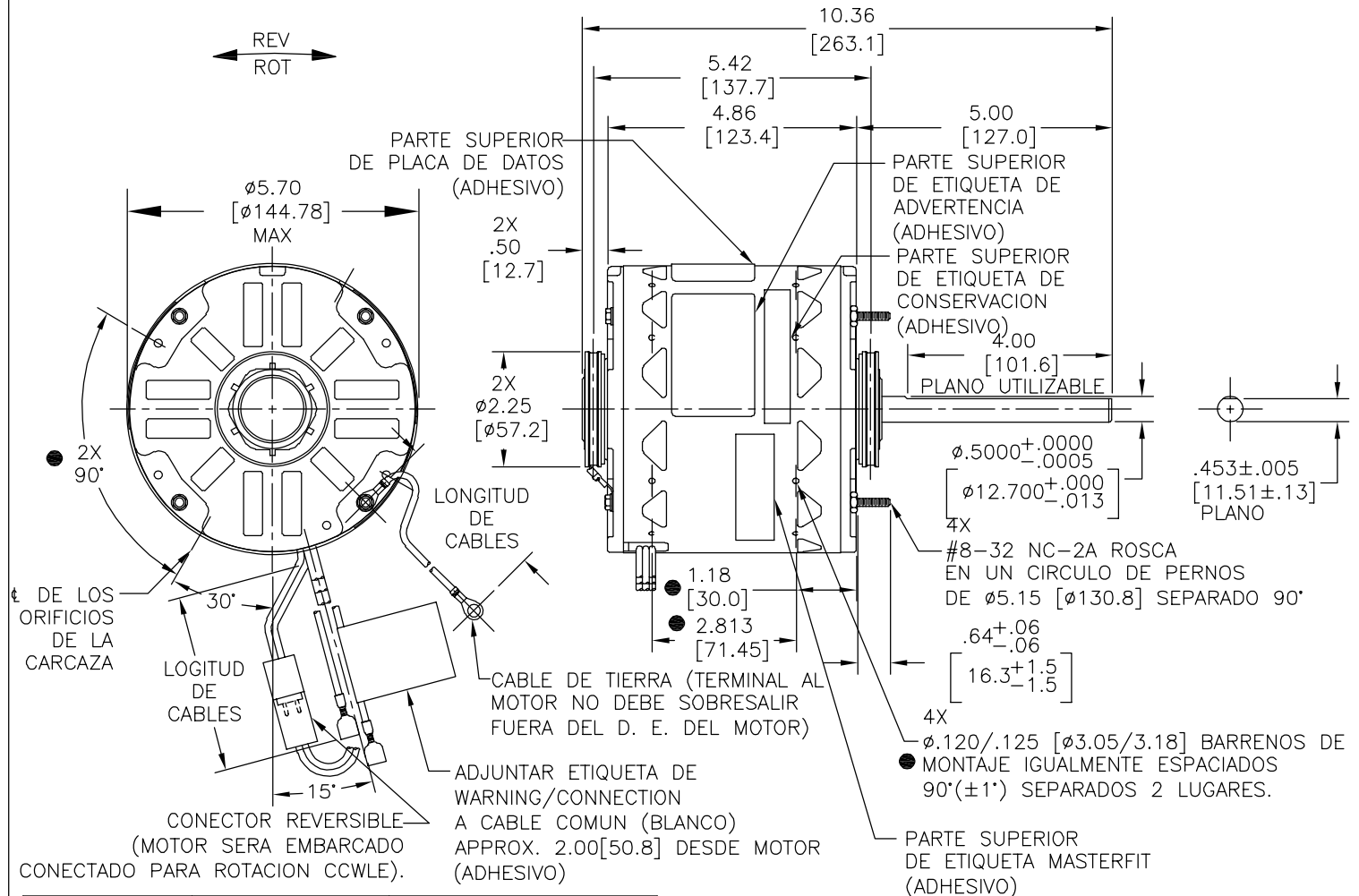
CABLES: NO. 18 GA., .03[.8] GROSOR XLP AISLANTE 125°C

CONECTOR REVERSIBLE: NO. 18 GA., .03[.8] GROSOR XLP AISLANTE 125°C

CABLE DE TIERRA: NO. 18 GA., .03[.8] GROSOR AISLANTE (VERDE)

NOTAS:

- INDICA CARACTERISTICAS CRITICAS.
- (4) ANILLO ADAPTADOR CON RANURA 615035, (8) TORNILLOS 615982-001 (1) ABRAZADERA 2518746-001 Y UN CAPACITOR 2509074-001 DEBEN PONERSE EN UNA BOLSA DE POLIESTER Y SER EMPACADO EN CADA MOTOR.



VERDE (TIERRA)	9.0/11.0 [229/279]	.25 [6.4] ANILLO
NEGRO/BLANCO	3.0/5.0 [76/127]	CONECTOR REVERSIBLE
CAFE	36.5/39.5 [927/1003]	.25[6.4] HEMBRA
CAFE/BLANCO	36.5/39.5 [927/1003]	.25[6.4] HEMBRA
ROJO	36.5/39.5 [927/1003]	.25[6.4] HEMBRA
AMARILLO	36.5/39.5 [927/1003]	.25[6.4] HEMBRA
AZUL	36.5/39.5 [927/1003]	.25[6.4] HEMBRA
NEGRO	36.5/39.5 [927/1003]	.25[6.4] HEMBRA
BLANCO	36.5/39.5 [927/1003]	.25[6.4] HEMBRA
COLOR	LONGITUD	TERMINAL O LONGITUD DE DESFORRE

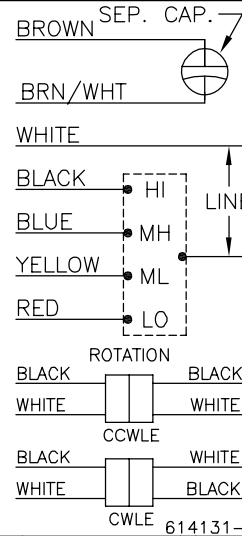
CARCASA - LOC	ABIERTO
TAPA - LOC	ABIERTO
CARCASA - LC	ABIERTO
TAPA - LC	ABIERTO

CLIENTE	DISTRIBUTION SERVICE
---------	----------------------

INFORMACION DE ETIQUETA:

MODEL NO.: F48AD81A01
 CUST. P/N: FD6000A
 HP: 1/2-1/6
 ROT.: REVERSIBLE
 RPM: 1075/4 SPD.
 TYPE: UF
 FRAME: 48
 VOLTS: 208-230
 PH: 1
 AMPS: 3.9 MAX.
 HZ: 60
 INS.: B
 AMB.: 40° C
 DUTY: AIR OVER
 CAP.: 10 OR 5 MFD/370 V
 ENCL: OPEN
 UL LOGO
 CSA LOGO
 THERMALLY PROTECTED

DIAGRAMA DE CONEXION EXTERNA



CURVAS DE DESEMPEÑO	TORSION @1075 RPM (25°C)	MUESTRA APROBADA	COMPONENTE UL	CSA
C31865	56.7 OZ. FT.	99AC166A	#ARCHIVO CCN #	#ARCHIVO CLASE #
			E46412 PRGY2	LR43341 4211-01

CARACTERISTICAS DE GEOMETRIA Y SIMBOLOS

- PLANICIDAD
- RECTITUD
- ∠ ANGULARIDAD
- ⊥ PERPENDICULARIDAD (A ESCUADRA)
- // PARALELISMO
- REDONDEZ (CIRCULARIDAD)
- ∅ CILINDRICIDAD
- △ PERFIL DE CUALQUIER SUPERFICIE
- ∩ PERFIL DE CUALQUIER LINEA
- ∠ VARIACION
- ⊕ POSICION REAL
- ◎ CONCENTRICIDAD
- ≡ SIMETRIA

ASME Y14.5M 1994

REGAL-BELOIT CORPORATION (RBC) PROVEE ASISTENCIA TECNICA A NUESTROS CLIENTES EN VARIAS AREAS. DESDE QUE RBC NO RECIBE TODOS LOS DATOS EN RELACION AL USO Y A LA APLICACION DEL MOTOR, LA APLICACION ADECUADA DEL MOTOR DEBE SER DETERMINADA POR EL CLIENTE.

DIMENSIONES SIN TOLERANCIA SON DE REFERENCIA SOLAMENTE

DIBUJADO POR: R.RASCON 05-26-2011

APROBADO POR: J.FRANK 05-26-2011

TERCER ANGULO DE PROYECCION

FECHA EDS: 11-11-2011

REV. FORMATO: H

CONFIDENCIAL: ESTE DIBUJO Y SU INFORMACION SON PROPIEDAD DE USO EXCLUSIVO Y CONFIDENCIAL DE REGAL-BELOIT CORPORATION. Y NO DEBERAN SER REVELADOS, DUPLICADOS, DISTRIBUIDOS O USARSE DE OTRA MANERA SIN EL CONSENTIMIENTO ESCRITO DE REGAL-BELOIT CORPORATION. -TODOS LOS DERECHOS RESERVADOS.

REGAL REGAL-BELOIT CORPORATION

DESCRIPCION: MODEL-RFHP-48FR OUTLINE

TAMAÑO: C NUMERO DE DIBUJO: FD6000A

ESCALA: NONE HOJA: 1

4

3

2

1