

4

3

2

1

GENERAL INFORMATION:

SHAFT RUNOUT: .001 [.03] T.I.R. PER INCH LENGTH OF EXTENSION

END PLAY: .010[.25] TO .063[1.60]

BEARINGS: SLEEVE

MOUNTING POSITION: HORIZONTAL

ELECTRICAL DATA:

OVERLOAD PROTECTOR: AUTOMATIC RESET (T.I. 7AM 036)

LINE LEADS: NO. 18 GA., .06 [1.5] THK. PVC 105°C INSUL.

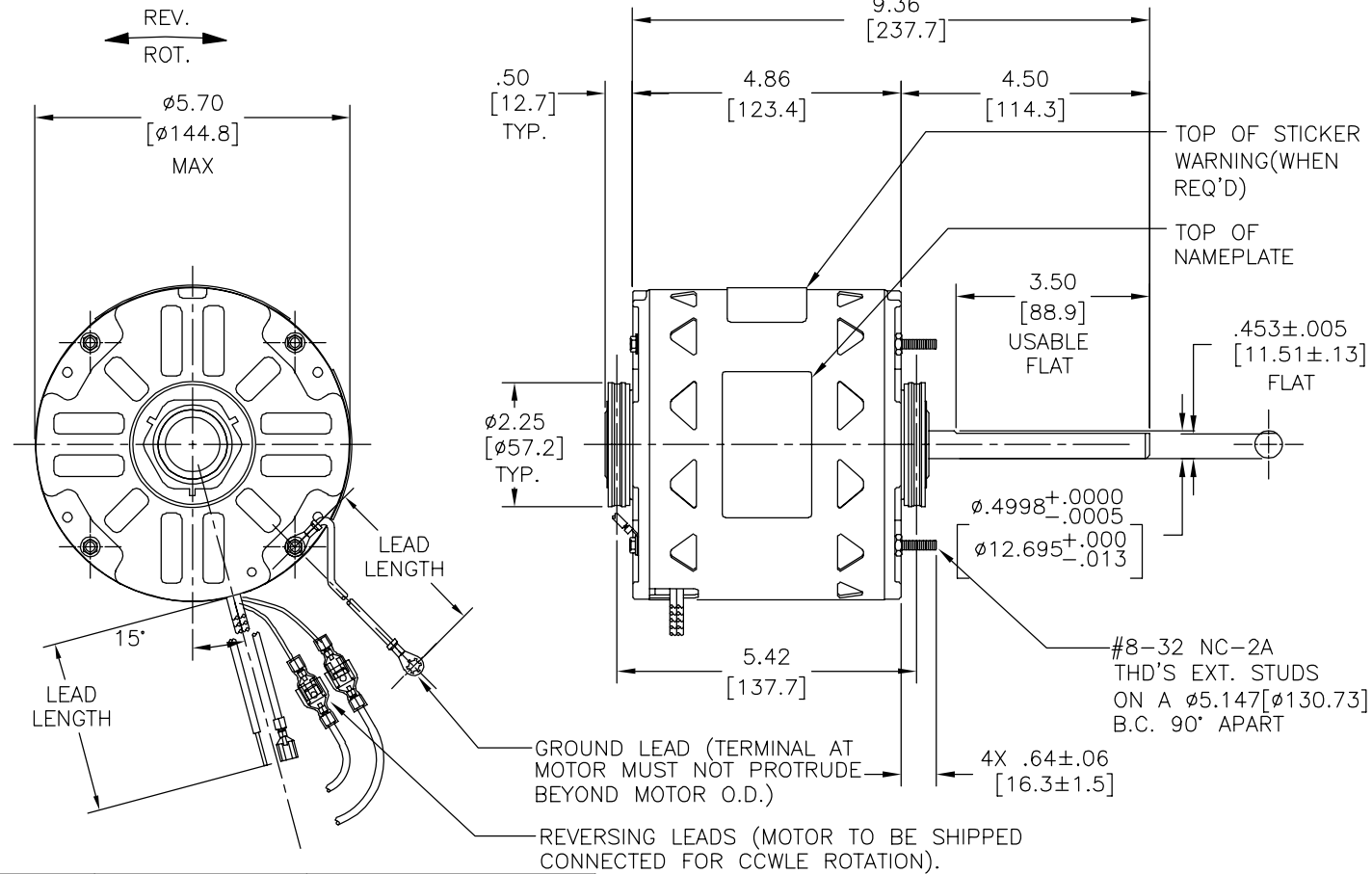
REVERSING LEADS: NO. 18 GA., .03 [.8] THK., CROSS-LINKED POLYETHYLENE, 125°C INSUL.

GROUND LEAD: NO. 18 GA., .03 [.8] THK. (GREEN) INSUL.

NOTE:
 1. 4X SPLIT RING ADAPTOR 615035 TO BE PACKED WITH EACH MOTOR.
 2. DISTRIBUTION:CUST.P/N:DL005 GRAINGER:CUST.P/N:4KA28

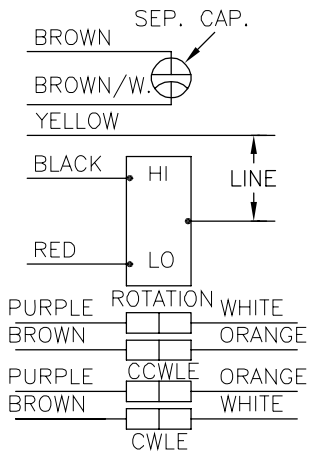
SEE NOTE 2

REV	ECO	REV BY	DATE	APPD	DATE
C	0025543	I. ORTIZ	04-26-2012	D. BALDERRAMA	04-26-2012



NAMEPLATE DATA: EXTERNAL CONNECTION DIAGRAM

MODEL NO.: F48N04A01
 CUST. P/N: []
 HP: 1/2
 ROT.: REVERSIBLE
 RPM: 1075/2 SPD
 TYPE: UF
 FRAME: 48Y
 VOLTS: 115
 PH: 1
 AMPS: 6.5 (9.0 MAX)
 HZ: 60
 INS.: B
 AMB.: 40°C
 DUTY: AIR OVER
 CODE: -
 CAP.: 10.0 MFD/370V
 ENCL: OPEN
 UL LOGO
 CSA LOGO
 THERMALLY PROTECTED



614131-171

PERFORMANCE CURVE NO.	TORQUE @ 1075 RPM (25°C)	APPROVED SAMPLE	UL COMPONENT		CSA	
C31357	50.7 OZ. FT.	----	FILE #	CCN #	FILE #	CLASS #
			E46412	PRGY2	LR43341	260-φ-0

GREEN (GRD)	9.0/11.0 [229/279]	#10 EYELET
WHITE (REV)	4.0/6.0 [127/152]	.25[6.4] PRE-INSUL FEMALE SPADE
PURPLE (REV)	4.0/6.0 [127/152]	.25[6.4] PRE-INSUL FEMALE SPADE
ORANGE (REV)	4.0/6.0 [127/152]	.25[6.4] PRE-INSUL FEMALE SPADE
BROWN (REV)	4.0/6.0 [127/152]	.25[6.4] PRE-INSUL FEMALE SPADE
BROWN	25.0/27.0 [635/686]	.25[6.4] FRAME SPADE
BROWN/WHITE	25.0/27.0 [635/686]	.25[6.4] FRAME SPADE
YELLOW	25.0/27.0 [635/686]	.60 [15.2] SKIN
BLACK	25.0/27.0 [635/686]	.60 [15.2] SKIN
RED	25.0/27.0 [635/686]	.60 [15.2] SKIN
COLOR	LENGTH	TERMINAL OR STRIP LENGTH

MAIN FRAME - OLE	OPEN
END FRAME - OLE	OPEN
MAIN FRAME - LE	OPEN
END FRAME - LE	OPEN

CUSTOMER	DISTRIBUTION SERVICE
----------	----------------------

GEOMETRIC CHARACTERISTICS & SYMBOLS
 ▽ FLATNESS
 - STRAIGHTNESS
 < ANGLARITY
 ⊥ PERPENDICULARITY (SQUARENESS)
 // PARALLELISM
 ○ ROUNDNESS (CIRCULARITY)
 ∅ CYLINDRICITY
 △ PROFILE OF ANY SURFACE
 ∩ PROFILE OF ANY LINE
 ↑ RUNOUT
 ⊕ TRUE POSITION
 ⊙ CONCENTRICITY
 = SYMMETRY

REGAL-BELOIT CORPORATION (RBC) PROVIDES TECHNICAL ASSISTANCE TO OUR CUSTOMERS IN SEVERAL AREAS. SINCE RBC DOES NOT RECEIVE ALL DATA CONCERNING THE USE AND APPLICATION OF THE MOTOR, THE SUITABILITY OF THE MOTOR FOR THE APPLICATION MUST BE DETERMINED BY THE CUSTOMER.
 DIMENSIONS WITHOUT TOLERANCES ARE FOR REFERENCE ONLY.

DR BY: D M JONES 04-06-1999
 APPD: J P MU 04-06-1999
 THIRD ANGLE PROJECTION
 EDS DATE 11-11-2011
 FORMAT REV G
 CONFIDENTIAL: THIS DRAWING AND ITS INFORMATION ARE THE EXCLUSIVE AND CONFIDENTIAL PROPERTY OF REGAL-BELOIT CORPORATION AND ARE NOT TO BE DISCLOSED, DUPLICATED, DISTRIBUTED OR OTHERWISE USED WITHOUT THE WRITTEN CONSENT OF REGAL-BELOIT CORPORATION. -ALL RIGHTS RESERVED.

REGAL-BELOIT CORPORATION

DESCRIPTION: MODEL-RFHP-48FR OUTLINE

SIZE: C DWG NO: 11760-089

SCALE: NONE SHEET: 1

4

3

2

1

4

3

2

1

REVISION:	ECO	REVISADO POR:	FECHA:	APROBADO POR:	FECHA:
C	0025543	I. ORTIZ	04-26-2012	D. BALDERRAMA	04-26-2012

INFORMACION GENERAL:

OSCILACION DE FLECHA: .001 [.03] L.T.I. LONGITUD DE EXTENSION POR PULGADA

BALEROS: BOLA

POSICION DE MONTAJE: TODO EL ANGULO

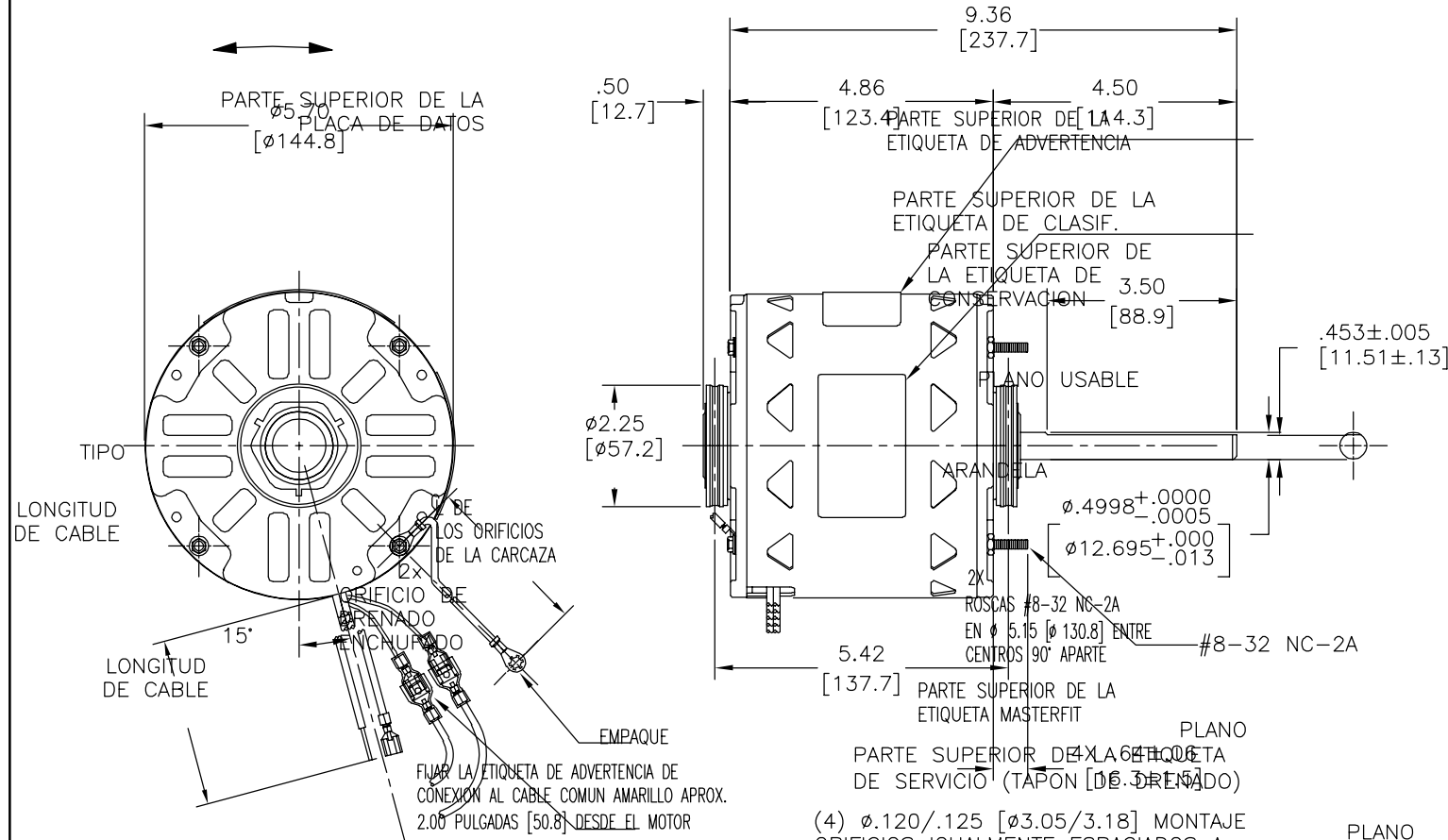
DATOS ELECTRICOS:

SOBRECARGA DEL PROTECTOR: REINICIO AUTOMATICO (T.I. 7AM 036)

CABLES DE LINEA: NO. 18 GA., .06 [1.5] DE ESPESOR EPDM 125°C AISLANTE

TAPON DE INVERSION: NO. 18 GA., .03 [.8] ESPESOR XLP 125°C AISLANTE

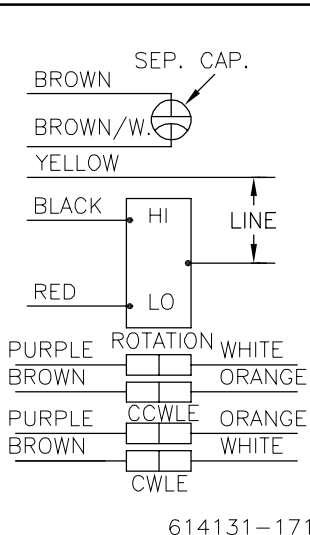
CABLE DE TIERRA: NO. 18 GA., .03 [.8] ESPESOR (VERDE) AISLANTE



DATOS DE PLACA DE DATOS:

DIAGRAMA DE CONEXION EXTERNA

MODEL NO.: F48N04A01
 CUST. P/N: []
 HP: 1/2
 ROT.: REVERSIBLE
 RPM: 1075/2 SPD
 TYPE: UF
 FRAME: 48Y
 VOLTS: 115
 PH: 1
 AMPS: 6.5 (9.0 MAX)
 HZ: 60
 INS.: B
 AMB.: 40°C
 DUTY: AIR OVER
 CODE: -
 CAP.: 10.0 MFD/370V
 ENCL: OPEN
 UL LOGO
 CSA LOGO
 THERMALLY PROTECTED



	9.0/11.0 [229/279]	TAPON DE INVERSION (EL MOTOR SERA EMBARCADO Y CONECTADO CON UNA ROTACION EN CONTRA DE LAS MANECILLAS DEL RELOJ)
	4.0/6.0 [102/152]	CABLE DE TIERRA (LA TERMINAL HACIA EL MOTOR NO DEBE SOBREPASAR MAS ALLA DEL DIAMETRO EXTERIOR DEL MOTOR)
VERDE (TIERRA)	4.0/6.0 [127/152]	.25 [6.4] OJAL #10
NEGRO/BLANCO	4.0/6.0 [127/152]	.25 [6.4] TAPON DE INVERSION
CAFE	25.0/27.0 [635/686]	.25 [6.4] BANDERA
CAFE/BLANCO	25.0/27.0 [635/686]	.25 [6.4] BANDERA
ROJO	25.0/27.0 [635/686]	.60 [15.2] FORRO
NEGRO	25.0/27.0 [635/686]	.60 [15.2] FORRO
AMARILLO	25.0/27.0 [635/686]	.60 [15.2] FORRO
COLOR	LONGITUD	TERMINAL O LONGITUD DE DESFORRE

CUERPO PPAL.-OLE	CERRADO
TAPA FINAL - OLE	CERRADO CON ORIFICIO DE DRENADO
CUERPO PPAL.-OLE	CERRADO
TAPA FINAL - OLE	CERRADO CON ORIFICIO DE DRENADO

CLIENTE	DISTRIBUTION SERVICE
---------	----------------------

CURVAS DE FUNCIONAMIENTO	TORSION @1075 RPM (25°C)	MUESTRA APROVADA	COMPONENTE UL	CSA
C31357	390.4 OZ. FTES	----	E46412 PRGY2	LR43341 260-0-0

#ARCHIVO	CCN #	#ARCHIVO	CLASSE #
E46412	PRGY2	LR43341	260-0-0

REGAL-BELOIT CORPORATION (RBC) PROVEE ASISTENCIA TECNICA A NUESTROS CLIENTES EN VARIAS AREAS. DESDE QUE RBC NO RECIBE TODOS LOS DATOS EN RELACION AL USO Y A LA APLICACION DEL MOTOR, LA APLICACION ADECUADA DEL MOTOR DEBE SER DETERMINADA POR EL CLIENTE.

DIMENSIONES SIN TOLERANCIA SON DE REFERENCIA SOLAMENTE

REGAL-BELOIT CORPORATION (RBC) PROVEE ASISTENCIA TECNICA A NUESTROS CLIENTES EN VARIAS AREAS. DESDE QUE RBC NO RECIBE TODOS LOS DATOS EN RELACION AL USO Y A LA APLICACION DEL MOTOR, LA APLICACION ADECUADA DEL MOTOR DEBE SER DETERMINADA POR EL CLIENTE.

DIMENSIONES SIN TOLERANCIA SON DE REFERENCIA SOLAMENTE

DIBUJADO POR: D M JONES 04-06-1999
 APROBADO POR: J P MU 04-06-1999
 TERCER ANGULO DE PROYECCION
 CONFIDENCIAL: ESTE DIBUJO Y SU INFORMACION SON PROPIEDAD DE USO EXCLUSIVO Y CONFIDENCIAL DE REGAL-BELOIT CORPORATION. Y NO DEBERAN SER REVELADOS, DUPLICADOS, DISTRIBUIDOS O USARSE DE OTRA MANERA SIN EL CONSENTIMIENTO ESCRITO DE REGAL-BELOIT CORPORATION. -TODOS LOS DERECHOS RESERVADOS.

DESCRIPCION: MODEL-RFHP-48FR OUTLINE
 TAMAÑO: C NUMERO DE DIBUJO: 11760-089
 ESCALA: NONE HOJA: 1

REGAL-BELOIT CORPORATION

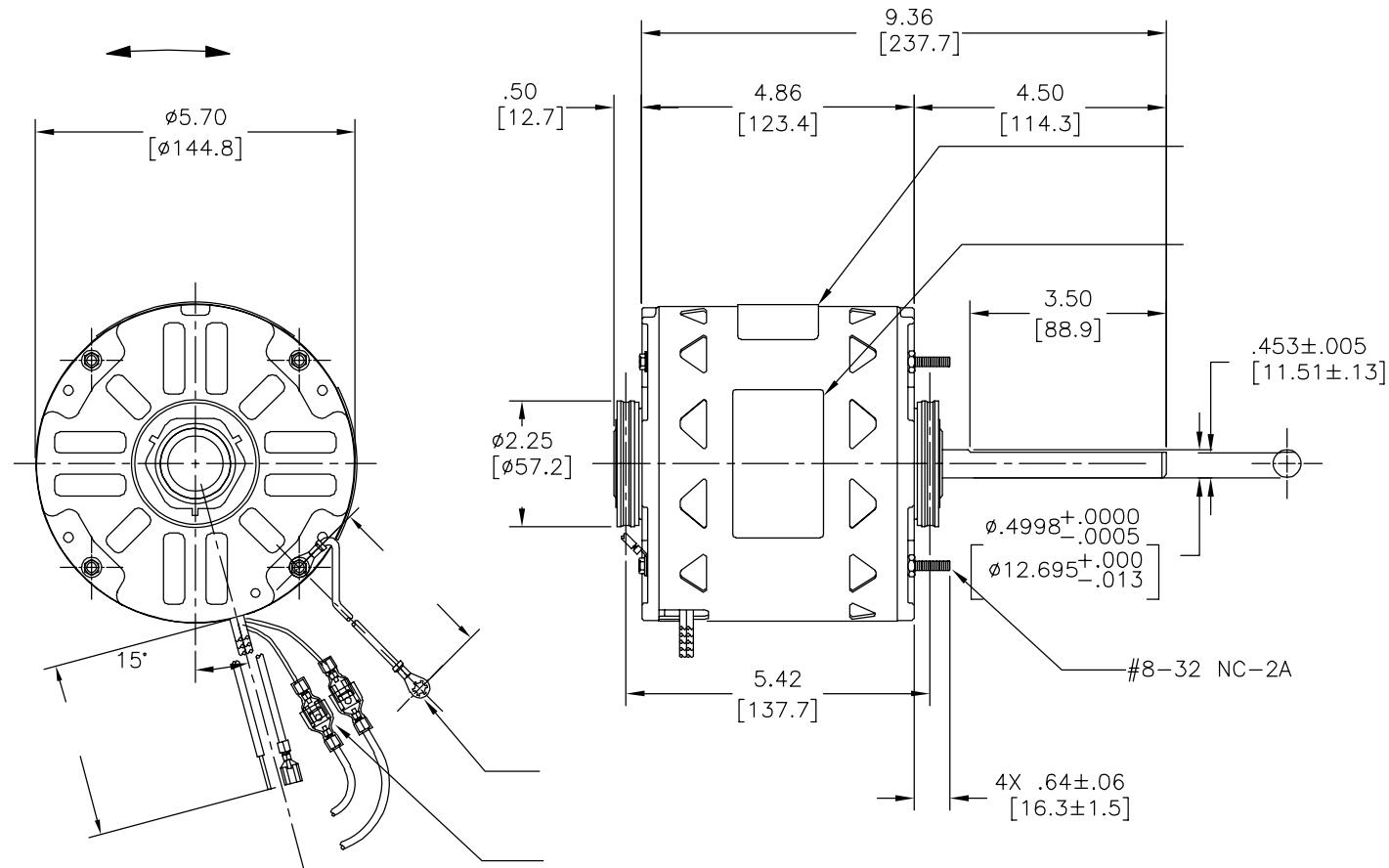
4

3

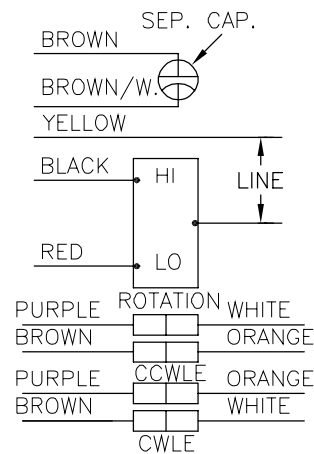
2

1

版本	ECO	编制	日期	批准	日期
C	0025543	I. ORTIZ	04-26-2012	D. BALDERRAMA	04-26-2012



MODEL NO.: F48N04A01
 CUST. P/N: []
 HP: 1/2
 ROT.: REVERSIBLE
 RPM: 1075/2 SPD
 TYPE: UF
 FRAME: 48Y
 VOLTS: 115
 PH: 1
 AMPS: 6.5 (9.0 MAX)
 HZ: 60
 INS.: B
 AMB.: 40°C
 DUTY: AIR OVER
 CODE: -
 CAP.: 10.0 MFD/370V
 ENCL: OPEN
 UL LOGO
 CSA LOGO
 THERMALLY PROTECTED



614131-171

	9.0/11.0 [229/279]	
	4.0/6.0 [127/152]	.25[6.4]
	4.0/6.0 [127/152]	.25[6.4]
	4.0/6.0 [127/152]	.25[6.4]
	4.0/6.0 [127/152]	.25[6.4]
	25.0/27.0 [635/686]	.25[6.4]
	25.0/27.0 [635/686]	.25[6.4]
	25.0/27.0 [635/686]	.60 [15.2]
	25.0/27.0 [635/686]	.60 [15.2]
	25.0/27.0 [635/686]	.60 [15.2]

DISTRIBUTION SERVICE

- 形位公差
- 平面度
- 直线度
- ∠ 倾斜度
- ⊥ 垂直度
- // 平行度
- 圆度
- ⊘ 圆柱度
- ⊙ 面轮廓度
- △ 线轮廓度
- ↗ 圆跳动
- ⊕ 位置度
- ⊙ 同轴度
- ≡ 对称度

ASME Y14.5M 1994

REGAL-BELOIT CORPORATION (RBC) 在个别领域为客户提供技术支持。鉴于RBC未收到任何涉及电机使用和应用环境的数据，电机的适用性由客户自己决定。

未注公差尺寸仅供参考。

绘图: D M JONES 04-06-1999

批准: J P MU 04-06-1999

第三角投影 图纸格式发布日期 11-11-2011 图纸格式版本 G

机密: 本图纸及相关信息所有权归REGAL-BELOIT CORPORATION。未经REGAL-BELOIT CORPORATION书面授权, 不得泄露、复制、传播或作其他用途。—版权所有



名称: MODEL-RFHP-48FR OUTLINE

图幅: C 图号: 11760-089

比例: NONE 页号: 1