

GENERAL INFORMATION:

SHAFT RUNOUT: .001[.03] T.I.R. PER INCH LENGTH OF EXTENSION

END PLAY: .010 TO .063[.25 TO 1.60]

BEARINGS: SLEEVE

ELECTRICAL DATA:

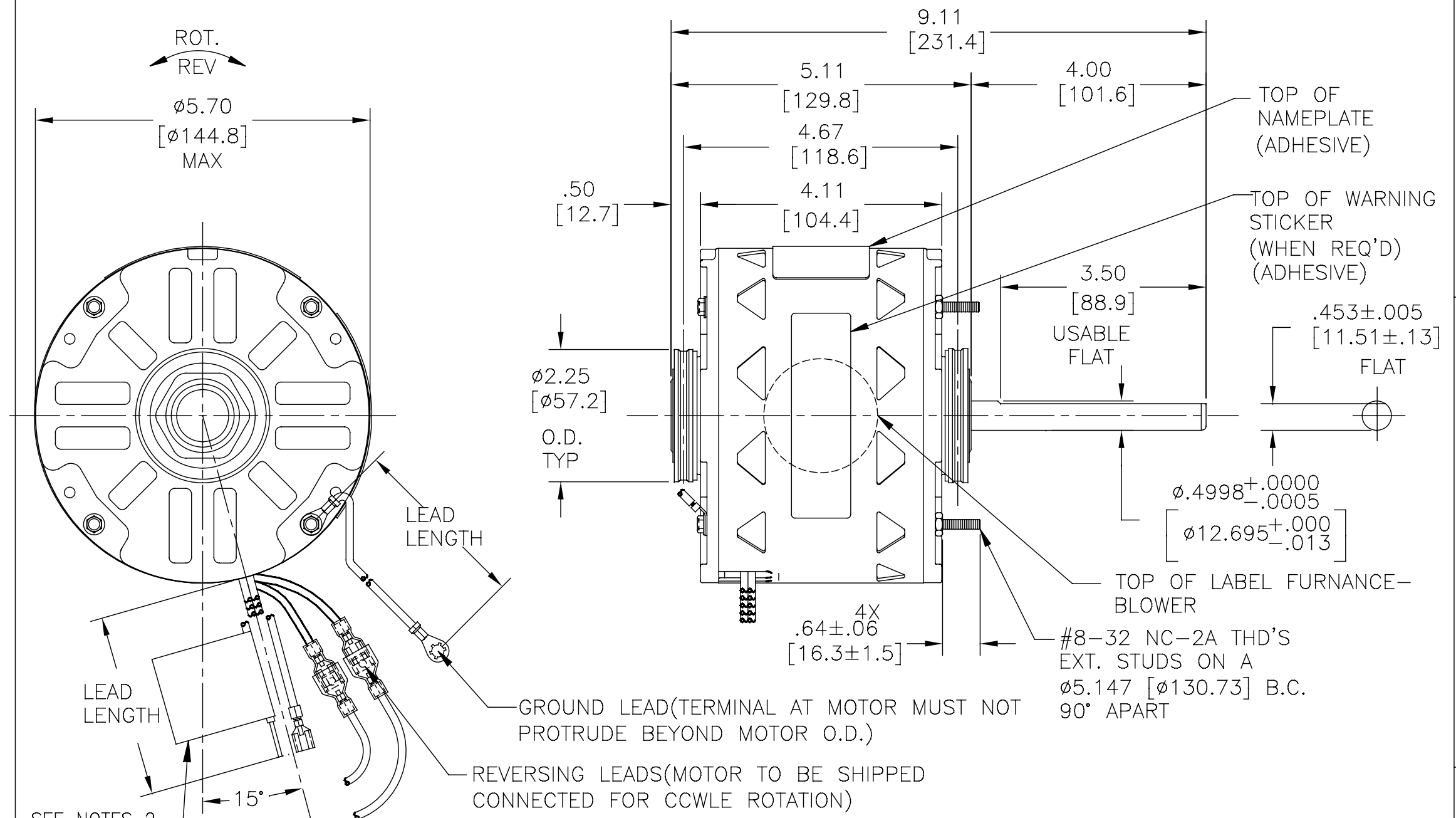
MOUNTING POSITION: HORIZONTAL

OVERLOAD PROTECTOR: AUTOMATIC RESET (SENSATA 7AM 036)

LINE LEADS: NO. 18 GA., .03[.8] THK., 125°C INSUL.

REVERSING LEADS: NO. 18 GA., .03[.8] THK., CROSS-LINKED POLYETHELENE 125°C INSUL.

GROUND LEADS: NO. 18 GA., .03[.8] THK., (GREEN) INSUL.



SEE NOTES 2

LEAD DATA		
COLOR	LENGTH	TERMINAL OR STRIP LENGTH
RED	25.0/27.0 [635/686]	.60[15.2] SKIN
BLUE	25.0/27.0 [635/686]	.60[15.2] SKIN
BLACK	25.0/27.0 [635/686]	.60[15.2] SKIN
WHITE	25.0/27.0 [635/686]	.60[15.2] SKIN
BROWN/WHITE	25.0/27.0 [635/686]	.25[6.4] FEMALE SPADE
BROWN	25.0/27.0 [635/686]	.25[6.4] FEMALE SPADE
BROWN (REV)	4.0/6.0 [102/152]	.25[6.4] PER-INSUL. FEMALE SPADE
ORANGE (REV)	4.0/6.0 [102/152]	.25[6.4] PER-INSUL. MALE SPADE
PURPLE (REV)	4.0/6.0 [102/152]	.25[6.4] PER-INSUL. FEMALE SPADE
WHITE (REV)	4.0/6.0 [102/152]	.25[6.4] PER-INSUL. MALE SPADE
GREEN (GRD)	9.0/11.0 [229/279]	10# EYELET

- NOTES:
- SPLIT RING ADAPTOR 53P26-1 OR 615035(4 REQ'D) TO BE PACKED WITH EACH MOTOR.
 - ATTACH WARNING/CONNECTION LABEL TO COMMON (WHITE) LEAD APPROX. 2.0[51] FROM MOTOR (ADHESIVE)

REGAL-BELOIT CORPORATION (RBC) PROVIDES TECHNICAL ASSISTANCE TO OUR CUSTOMERS IN SEVERAL AREAS. SINCE RBC DOES NOT RECEIVE ALL DATA CONCERNING THE USE AND APPLICATION OF THE MOTOR, THE SUITABILITY OF THE MOTOR FOR THE APPLICATION MUST BE DETERMINED BY THE CUSTOMER.

DIMENSIONS WITHOUT TOLERANCES ARE FOR REFERENCE ONLY.

NAMEPLATE DATA:	EXTERNAL CONNECTION DIAGRAM
MODEL NO.: F48H16A01 CUST. P/N: DL1026 HP: 1/4 ROT.: REVERSIBLE RPM: 1075/3 SPD. TYPE: UF FRAME: 48 VOLTS: 115 PH: 1 AMPS: 4.5 HZ: 60 INS.: B AMB: 40°C DUTY: AIR OVER CAP.: 5 MFD/370 V ENCL: OPEN UL LOGO CSA LOGO THERMALLY PROTECTED	<p>RED — LO</p> <p>BLUE — MED</p> <p>BLACK — HI</p> <p>WHITE — LINE</p> <p>BROWN —</p> <p>BRN/WHT —</p> <p>ROTATION AT LEAD END</p> <p>CW CCW</p> <p>PURPLE BROWN</p> <p>ORANGE ORANGE</p> <p>WHITE WHITE</p> <p>BROWN PURPLE</p>

PERFORMANCE CURVE NO.	TORQUE @ 1075 RPM (25°C)	APPROVED SAMPLE	UL COMPONENT FILE #	CCN #	CSA FILE #	CLASS #
C31378	27.1 OZ. FT.	96AC228A	E46412	PRGY2	LR43341	4211-01

ENCLOSURE	
END FRAME — LE	OPEN
MAIN FRAME — LE	OPEN
END FRAME — OLE	OPEN
MAIN FRAME — OLE	OPEN

CUSTOMER	DISTRIBUTION SERVICES

DRAWING REVISION	REVISION BY	DATE
C	J.ZHU	09-13-2015
ECO	APPROVED BY C.ZHANG	DATE 09-13-2015
ECO-0084773		
ECO DESCRIPTION		
SEE ECO		

COPYRIGHT REGAL-BELOIT CORPORATION, INC. ALL RIGHTS RESERVED. PROPRIETARY AND CONFIDENTIAL INFORMATION - THIS DOCUMENT IS THE PROPERTY OF REGAL-BELOIT CORPORATION, INC. (OWNERS) AND CONTAINS OWNERS' PROPRIETARY INFORMATION. ANY PERSON, CORPORATION OR OTHER FIRM RECEIVING IT IS DEEMED TO HAVE RECEIVED IT UNDER A CONFIDENTIALITY AGREEMENT. IT IS NOT TO BE DISCLOSED TO ANY PERSON, CORPORATION OR OTHER ENTITY, DUPLICATED, AND/OR USED, EXCEPT AS EXPRESSLY APPROVED IN WRITING IN ADVANCE BY OWNER. THIS DOCUMENT SHALL BE RETURNED TO OWNER UPON REQUEST. IT MAY BE SUBJECT TO CERTAIN RESTRICTIONS UNDER APPLICABLE EXPORT CONTROL LAWS AND REGULATIONS.

DRAWN BY:	HEATH
DATE:	09-09-1996
APPROVED BY:	TRP
DATE:	07-11-1996
PROCESS/FINISH:	
THIRD ANGLE PROJECTION	

REGAL™ Regal Beloit America, Inc.	
DESCRIPTION	MODEL-RFHP-48FR OUTLINE
MATERIAL	
SIZE	DL1026
DWG NO	
SHEET	1