

GENERAL INFORMATION:

SHAFT RUNOUT: .001[.025] T.I.R. PER INCH LENGTH OF EXTENSION

END PLAY: .010 TO .063[.254 TO 1.600]

BEARINGS: SLEEVE

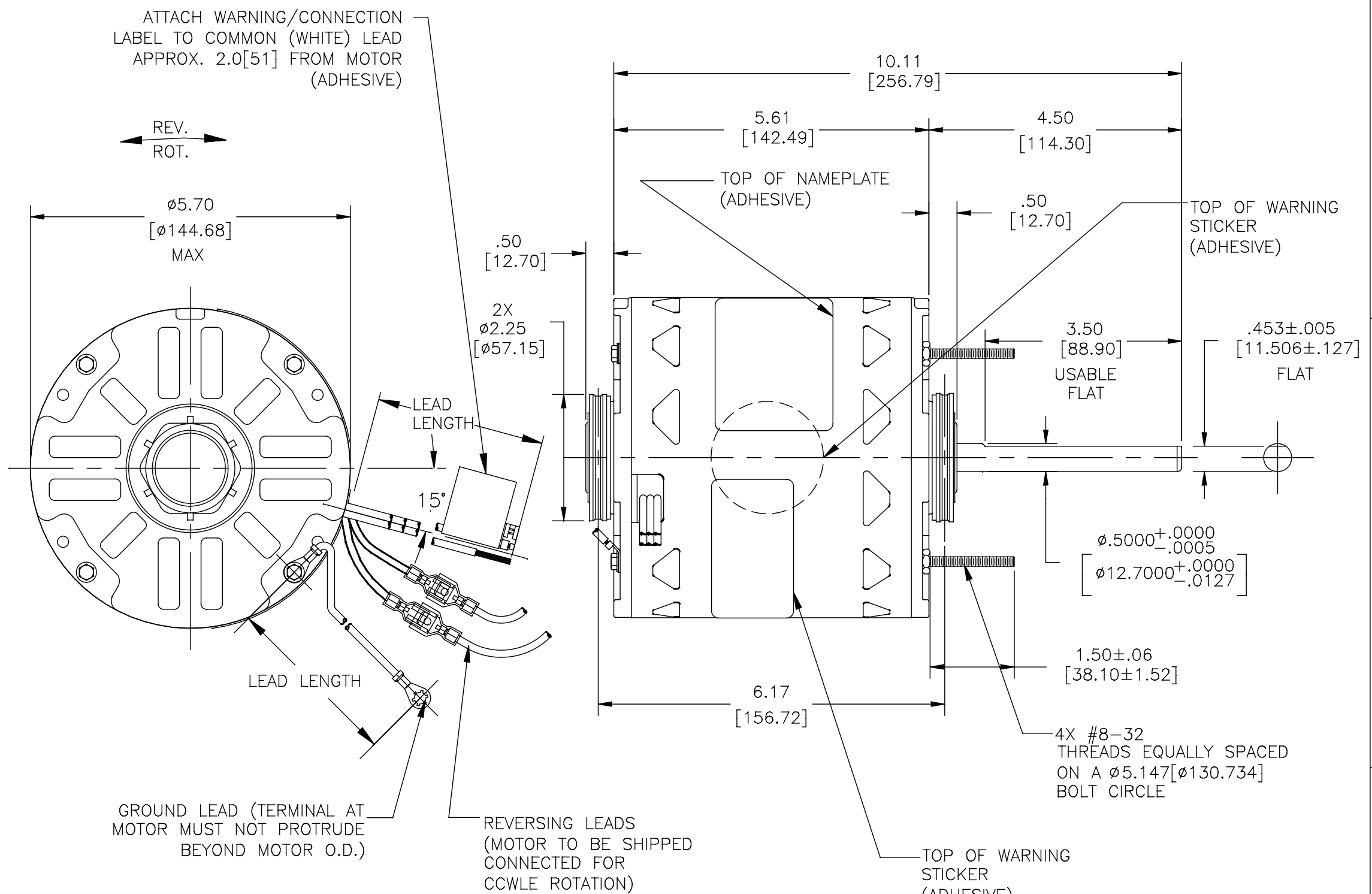
MOUNTING POSITION: HORIZONTAL

ELECTRICAL DATA:

OVERLOAD PROTECTOR: AUTOMATIC RESET (SENSATA 7AM 036)

LEADS: NO. 18 GA., .03[.76] THICK 125°C INSUL.

GROUND LEAD: NO. 18., .03[.76] THICK (GREEN) INSUL.



LEAD DATA		
COLOR	LENGTH	TERMINAL OR STRIP LENGTH
BROWN (REV)	4.5/5.5[114/140]	.25[6.4] PRE-INSUL FEMALE SPADE
ORANGE (REV)	4.5/5.5[114/140]	.25[6.4] PRE-INSUL MALE TAB
PURPLE (REV)	4.5/5.5[114/140]	.25[6.4] PRE-INSUL FEMALE SPADE
WHITE (REV)	4.5/5.5[114/140]	.25[6.4] PRE-INSUL MALE TAB
RED	26.0/28.0[660/711]	SKIN .50[12.70]
BLUE	26.0/28.0[660/711]	SKIN .50[12.70]
BLACK	26.0/28.0[660/711]	SKIN .50[12.70]
WHITE	26.0/28.0[660/711]	SKIN .50[12.70]
BROWN/WHITE	26.0/28.0[660/711]	.25[6.35] FLAG
BROWN	26.0/28.0[660/711]	.25[6.35] FLAG
GREEN(GRD)	12.0/13.0[305/330]	#10 EYELET

REGAL-BELOIT CORPORATION (RBC) PROVIDES TECHNICAL ASSISTANCE TO OUR CUSTOMERS IN SEVERAL AREAS. SINCE RBC DOES NOT RECEIVE ALL DATA CONCERNING THE USE AND APPLICATION OF THE MOTOR, THE SUITABILITY OF THE MOTOR FOR THE APPLICATION MUST BE DETERMINED BY THE CUSTOMER.

DIMENSIONS WITHOUT TOLERANCES ARE FOR REFERENCE ONLY.

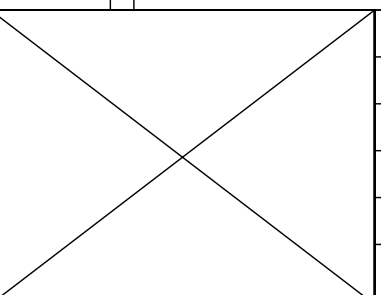
ENCLOSURE	
END FRAME - LE	OPEN
MAIN FRAME - LE	OPEN
END FRAME - OLE	OPEN
MAIN FRAME - OLE	OPEN

CUSTOMER	DISTRIBUTION SERVICE

NAMEPLATE DATA:	EXTERNAL CONNECTION DIAGRAM
MODEL NO.: F48SQ6L73 CUST. P/N: D1076 HP: 3/4 ROT.: REVERSIBLE RPM: 1075/3 SPD. TYPE: UF FRAME: 48 VOLTS: 208-230 PH: 1 AMPS: 5.5 HZ: 60 INS.: B AMB.: 40° C DUTY: AIR OVER CAP.: 10 MDF/370 V ENCL: OPEN UL LOGO CSA LOGO THERMALLY PROTECTED	

PERFORMANCE CURVE NO.	TORQUE @ 1075 RPM (25°C)	APPROVED SAMPLE	UL COMPONENT		CSA	
			FILE #	CCN #	FILE #	CLASS #
C22946	68.4 OZ. FT.	EX11221	E46412	PRGY2	LR43341	4211-01

DRAWING REVISION	REVISION BY	DATE
F	J.ZHU	09-13-2015
ECO	APPROVED BY	DATE
ECO-0084773	C.ZHANG	09-13-2015
ECO DESCRIPTION		
SEE ECO		



DRAWN BY:	J. WILLIAMS	Regal Beloit America, Inc.
DATE:	02-08-1991	
APPROVED BY:	M. FRENC	DESCRIPTION
DATE:	02-11-1991	MODEL-RFHP-48FR
PROCESS/FINISH		OUTLINE
		MATERIAL
THIRD ANGLE PROJECTION	SIZE DWG NO	SHEET
	C D1076	1

COPYRIGHT REGAL-BELOIT AMERICA, INC. ALL RIGHTS RESERVED. PROPRIETARY AND CONFIDENTIAL INFORMATION - THIS DOCUMENT IS THE PROPERTY OF REGAL-BELOIT AMERICA, INC. (OWNER) AND CONTAINS OWNER'S PROPRIETARY INFORMATION. ANY PERSON, CORPORATION OR OTHER FIRM RECEIVING IT IS DEEMED, BY RECEIVING IT, TO AGREE THAT IT, AND/OR ANY PART OF IT, SHALL NOT BE DISCLOSED TO ANY PERSON, CORPORATION OR OTHER ENTITY, DUPLICATED, AND/OR USED, EXCEPT AS EXPRESSLY APPROVED IN WRITING IN ADVANCE BY OWNER. THIS DOCUMENT SHALL BE RETURNED TO OWNER UPON REQUEST. IT MAY BE SUBJECT TO CERTAIN RESTRICTIONS UNDER APPLICABLE EXPORT CONTROL LAWS AND REGULATIONS.