

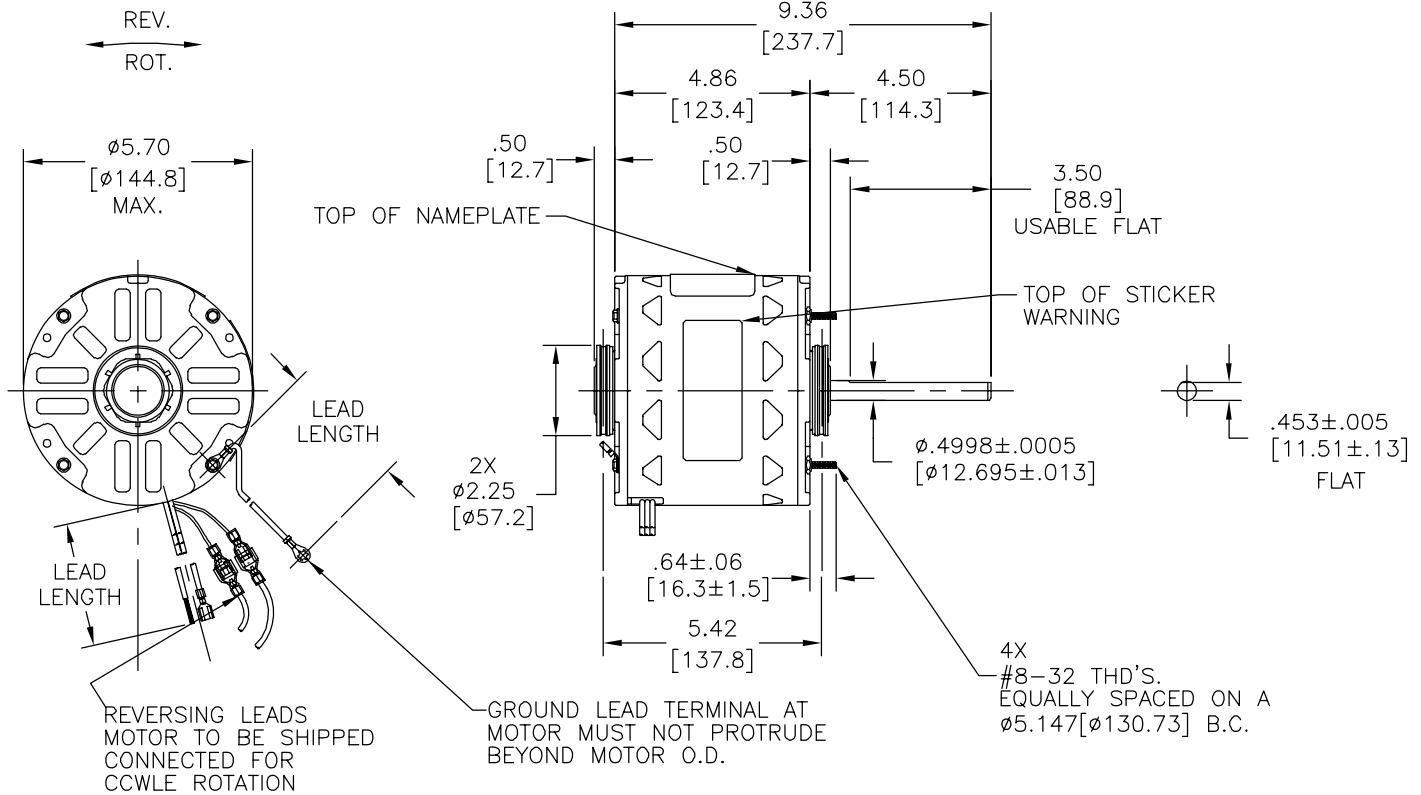
REV	ECO	REV BY	DATE	APPD	DATE
C	0025541	I. ORTIZ	04-24-2012	D. BALDERRAMA	04-24-2012

GENERAL INFORMATION:

SHAFT RUNOUT: .001 [.03] T.I.R. PER INCH LENGTH OF EXTENSION
 END PLAY: .010[.25] TO .063[1.60]
 BEARINGS: SLEEVE
 MOUNTING POSITION: HORIZONTAL

ELECTRICAL DATA:

OVERLOAD PROTECTOR: AUTOMATIC RESET (T.I. 7AM 036)
 LEADS: NO. 18 GA., .06[1.5] THK., PVC 105°C INSUL.
 REVERSING LEADS: NO. 18 GA., .03[.8] THK., 125°C INSUL.
 GROUND LEAD: NO. 18 GA., .03[.8] THK., GREEN INSUL.

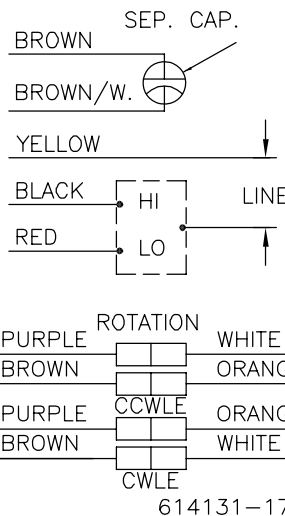


NAMEPLATE DATA:

MODEL NO: F48N01A01
 CUST. P/N: []
 HP: 1/2
 ROT.: REVERSIBLE
 RPM: 1075/2 SPD.
 TYPE: UF
 FRAME: 48Y
 VOLTS: 208-230
 PH: 1
 AMPS: 3.2 (4.3 MAX)
 HZ: 60
 INS.: B
 AMB: 40°C
 DUTY: AIR OVER
 CAP.: 7.5 MFD/370V
 ENCL: OPEN
 UL & CSA LOGO
 THERMALLY PROTECTED

SEE NOTE 2

EXTERNAL CONNECTION DIAGRAM



GREEN(GRD)	9/11 [229/279]	#10 EYELET
BROWN(REV)	4/6 [102/152]	.25[6.4] PRE-INSUL. FEMALE SPADE
WHITE(REV)	4/6 [102/152]	.25[6.4] PRE-INSUL. MALE TAB
ORANGE(REV)	4/6 [102/152]	.25[6.4] PRE-INSUL. MALE TAB
PURPLE(REV)	4/6 [102/152]	.25[6.4] PRE-INSUL. FEMALE SPADE
BROWN	25/27 [635/686]	.25[6.4] FEMALE SPADE
BROWN/WHITE	25/27 [635/686]	.25[6.4] FEMALE SPADE
YELLOW	25/27 [635/686]	.60[15.2] SKIN
BLACK	25/27 [635/686]	.60[15.2] SKIN
RED	25/27 [635/686]	.60[15.2] SKIN
COLOR	LENGTH	TERMINAL OR STRIP LENGTH

NOTES:

- SNAP RINGS 615035, 4 REQUIRED, TO BE PACKED WITH EACH MOTOR
- DISTRIBUTION PART NUMBER: D0006
GRAINGER PART NUMBER: 4KA29

PERFORMANCE CURVE NO.	TORQUE @ 1075 RPM (25°C)	APPROVED SAMPLE	UL COMPONENT FILE #	CCN #	CSA FILE #	CLASS #
C31362	50.6 OZ. FT.	96AC231B	E46412	PRGY2	LR43341	4211-01

MAIN FRAME - OLE	OPEN
END FRAME - OLE	OPEN
MAIN FRAME - LE	OPEN
END FRAME - LE	OPEN

CUSTOMER	DISTRIBUTION SERVICES
----------	-----------------------

GEOMETRIC CHARACTERISTICS & SYMBOLS
 □ FLATNESS
 — STRAIGHTNESS
 ∠ ANGULARITY
 ⊥ PERPENDICULARITY (SQUARENESS)
 ∥ PARALLELISM
 ○ ROUNDNESS (CIRCULARITY)
 ∅ CYLINDRICITY
 △ PROFILE OF ANY SURFACE
 ∇ PROFILE OF ANY LINE
 ↗ RUNOUT
 ⊕ TRUE POSITION
 ⊙ CONCENTRICITY
 ≡ SYMMETRY
 ASME Y14.5M 1994

REGAL-BELOIT CORPORATION (RBC) PROVIDES TECHNICAL ASSISTANCE TO OUR CUSTOMERS IN SEVERAL AREAS. SINCE RBC DOES NOT RECEIVE ALL DATA CONCERNING THE USE AND APPLICATION OF THE MOTOR, THE SUITABILITY OF THE MOTOR FOR THE APPLICATION MUST BE DETERMINED BY THE CUSTOMER.

DIMENSIONS WITHOUT TOLERANCES ARE FOR REFERENCE ONLY.

DR BY:	J RUPERT	03-30-1999
APPD:	J MUR	04-01-1999
THIRD ANGLE PROJECTION	EDS DATE 11-11-2011 FORMAT REV G	

CONFIDENTIAL: THIS DRAWING AND ITS INFORMATION ARE THE EXCLUSIVE AND CONFIDENTIAL PROPERTY OF REGAL-BELOIT CORPORATION AND ARE NOT TO BE DISCLOSED, DUPLICATED, DISTRIBUTED OR OTHERWISE USED WITHOUT THE WRITTEN CONSENT OF REGAL-BELOIT CORPORATION. -ALL RIGHTS RESERVED.

DESCRIPTION	
OUTLINE	
SIZE	DWG NO
C	11760-086
SCALE	SHEET
NONE	1

4

3

2

1

INFORMACION GENERAL:

OSCILACION DE FLECHA: .001 [.03] L.T.I. LONGITUD DE EXTENSION POR PULGADA

JUEGO AXIAL: .010[.25] A .063[1.60]

BALEROS: FUNDA

POSICION DE MONTAJE: HORIZONTAL

DATOS ELECTRICOS:

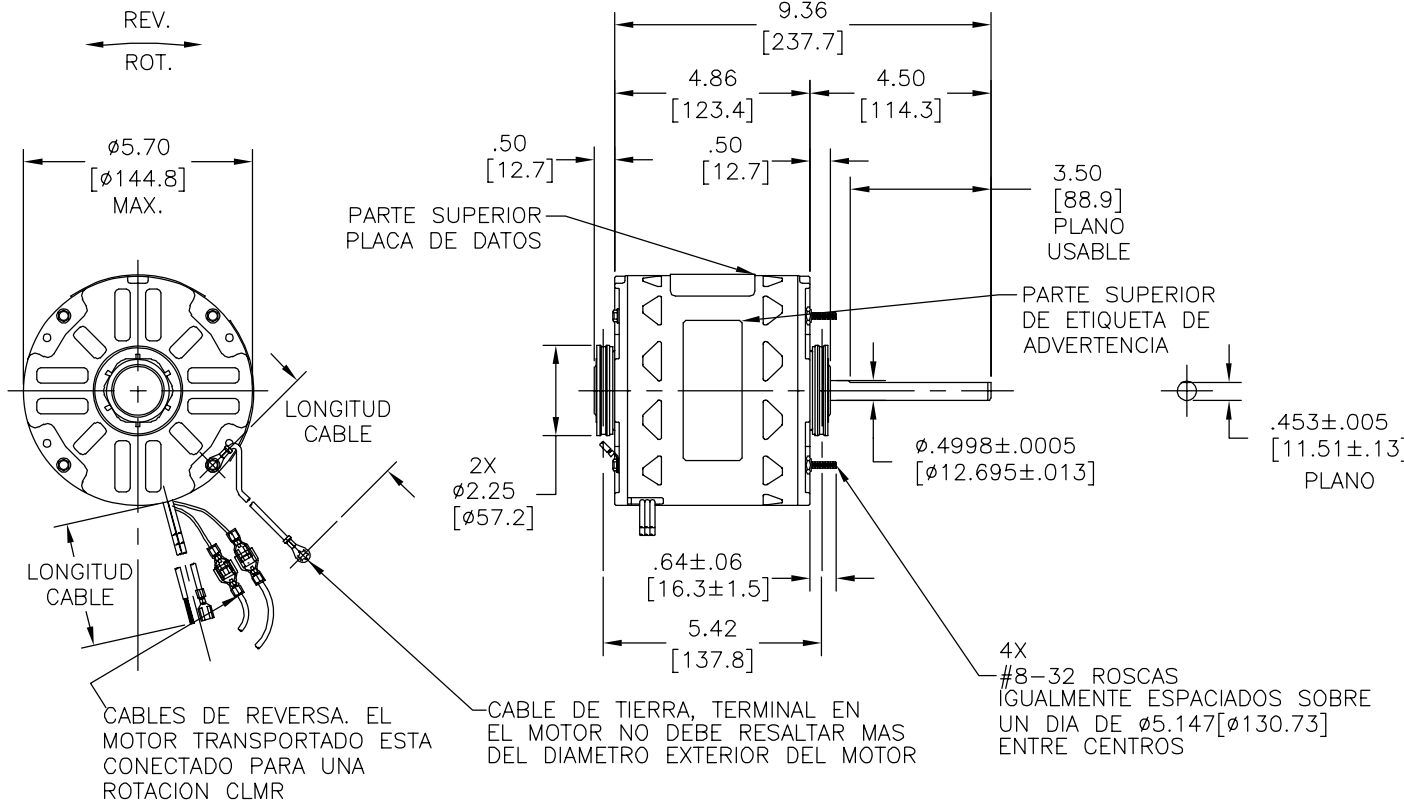
SOBRECARGA DEL PROTECTOR: REINICIO AUTOMATICO (T.I. 7AM 036)

CABLES: CAL. NO. 18, .06[1.5] ESPESOR, PVC 105°C AISLANTE

CABLES REVERSIBLES: CAL. NO. 18, .03[.8] THK., 125°C AISLANTE

CABLE DE TIERRA: CAL. NO. 18, .03[.8] ESPESOR, AISLANTE VERDE

REVISION:	ECO	REVISADO POR:	FECHA:	APROBADO POR:	FECHA:
C	0025541	I. ORTIZ	04-24-2012	D. BALDERRAMA	04-24-2012

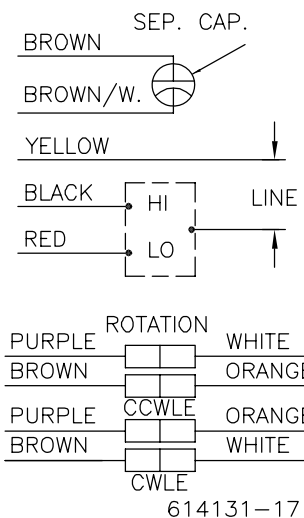


INF. PLACA DE DATOS:

VER NOTA 2

DIAGRAMA DE CONEXION EXTERNA

MODEL NO: F48N01A01
 CUST. P/N: []
 HP: 1/2
 ROT.: REVERSIBLE
 RPM: 1075/2 SPD.
 TYPE: UF
 FRAME: 48Y
 VOLTS: 208-230
 PH: 1
 AMPS: 3.2 (4.3 MAX)
 HZ: 60
 INS.: B
 AMB: 40°C
 DUTY: AIR OVER
 CAP.: 7.5 MFD/370V
 ENCL: OPEN
 UL & CSA LOGO
 THERMALLY PROTECTED



VERDE (TIERRA)	9/11 [229/279]	#10 OJILLO
CAFE (REV)	4/6 [102/152]	.25[6.4] PRE-AISL. TERMINAL HEMBRA
BLANCO (REV)	4/6 [102/152]	.25[6.4] PRE-AISL. TERMINAL MACHO
NARANJA (REV)	4/6 [102/152]	.25[6.4] PRE-AISL. TERMINAL MACHO
MORADO (REV)	4/6 [102/152]	.25[6.4] PRE-AISL. TERMINAL HEMBRA
CAFE	25/27 [635/686]	.25[6.4] TERMINAL HEMBRA
CAFE/BLANCO	25/27 [635/686]	.25[6.4] TERMINAL HEMBRA
AMARILLO	25/27 [635/686]	.60[15.2] FORRO
NEGRO	25/27 [635/686]	.60[15.2] FORRO
ROJO	25/27 [635/686]	.60[15.2] FORRO
COLOR	LONGITUD	TERMINAL O LONGITUD DE DESFORRE

- NOTAS:
- ANILLO DE RETENCION 615035, 4 REQUERIDOS, SON EMPACADOS CON CADA MOTOR.
 - NUMERO DE PARTE DE DISTRIBUCION: B0006
 NUMERO DE PARTE GRAINGER: 4KA29

CURVAS DE FUNCIONAMIENTO	TORSION @1075 RPM (25°C)	MUESTRA APROBADA	COMPONENTE UL	CSA
C31362	50.6 OZ. PULG.	96AC231B	#ARCHIVO PRGY2	#ARCHIVO CLASE #
			E46412	LR43341 4211-01

CARCASA - LOC	ABIERTO
TAPA - LOC	ABIERTO
CARCASA - LC	ABIERTO
TAPA - LC	ABIERTO

CLIENTE	DISTRIBUTION SERVICES
---------	-----------------------

- CARACTERISTICAS DE GEOMETRIA Y SIMBOLOS
- PLANICIDAD
 - RECTITUD
 - ANGULARIDAD
 - PERPENDICULARIDAD (A ESCUADRA)
 - PARALELISMO
 - REDONDEZ (CIRCULARIDAD)
 - CILINDRICIDAD
 - PERFIL DE CUALQUIER SUPERFICIE
 - PERFIL DE CUALQUIER LINEA
 - VARIACION
 - POSICION REAL
 - CONCENTRICIDAD
 - SIMETRIA
- ASME Y14.5M 1994

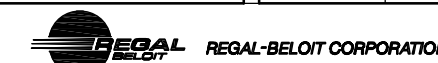
REGAL-BELOIT CORPORATION (RBC) PROVEE ASISTENCIA TECNICA A NUESTROS CLIENTES EN VARIAS AREAS. DESDE QUE RBC NO RECIBE TODOS LOS DATOS EN RELACION AL USO Y A LA APLICACION DEL MOTOR, LA APLICACION ADECUADA DEL MOTOR DEBE SER DETERMINADA POR EL CLIENTE.

DIMENSIONES SIN TOLERANCIA SON DE REFERENCIA SOLAMENTE

DIBUJADO POR: J RUPERT 03-30-1999
 APROBADO POR: J MUR 04-01-1999

TERCER ANGULO DE PROYECCION
 FECHA EDS: 11-11-2011
 REV. FORMATO: G

CONFIDENCIAL: ESTE DIBUJO Y SU INFORMACION SON PROPIEDAD DE USO EXCLUSIVO Y CONFIDENCIAL DE REGAL-BELOIT CORPORATION. Y NO DEBERAN SER REVELADOS, DUPLICADOS, DISTRIBUIDOS O USARSE DE OTRA MANERA SIN EL CONSENTIMIENTO ESCRITO DE REGAL-BELOIT CORPORATION. -TODOS LOS DERECHOS RESERVADOS.



DESCRIPCION: OUTLINE

TAMAÑO: C NUMERO DE DIBUJO: 11760-086

ESCALA: NONE HOJA: 1

4

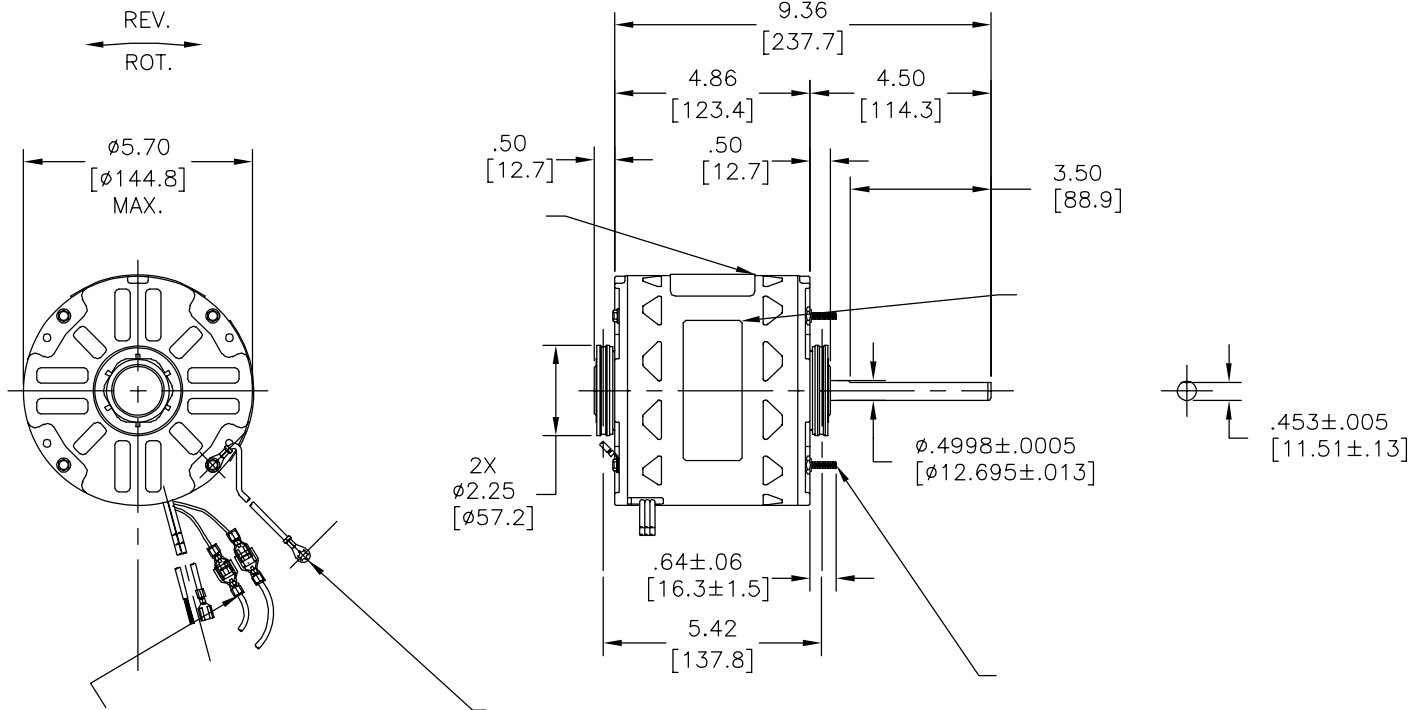
3

2

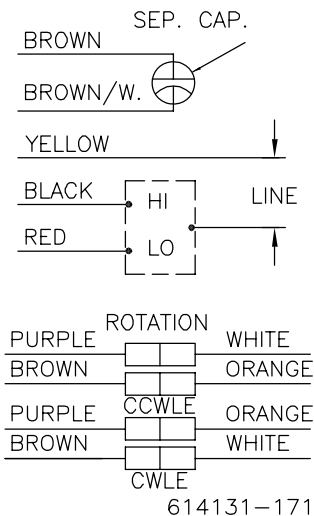
1

版本	ECO	编制	日期	批准	日期
C	0025541	I. ORTIZ	04-24-2012	D. BALDERRAMA	04-24-2012

总技术要求:



MODEL NO: F48N01A01
 CUST. P/N: []
 HP: 1/2
 ROT.: REVERSIBLE
 RPM: 1075/2 SPD.
 TYPE: UF
 FRAME: 48Y
 VOLTS: 208-230
 PH: 1
 AMPS: 3.2 (4.3 MAX)
 HZ: 60
 INS.: B
 AMB: 40°C
 DUTY: AIR OVER
 CAP.: 7.5 MFD/370V
 ENCL: OPEN
 UL & CSA LOGO
 THERMALLY PROTECTED



	9/11	
	[229/279]	
	4/6	
	[102/152]	
	4/6	
	[102/152]	
	4/6	
	[102/152]	
	25/27	
	[635/686]	
	25/27	
	[635/686]	
	25/27	
	[635/686]	
	25/27	
	[635/686]	
	25/27	
	[635/686]	
颜色	长度	端子或剥线长度

无引线端机壳	
无引线端端盖	
有引线端机壳	
有引线端端盖	

用户	DISTRIBUTION SERVICES
----	-----------------------

性能曲线编号	批准样品	UL部件	CSA
C31362	96AC231B	文件号 指南	文件号 指南
		E46412 PRGY2	LR43341 4211-01

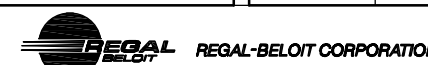
- 形位公差
- 平面度
- 直线度
- ∠ 倾斜度
- ⊥ 垂直度
- ∥ 平行度
- 圆度
- ⊘ 圆柱度
- ⊜ 面轮廓度
- ⊜ 线轮廓度
- ↻ 圆跳动
- ⊕ 位置度
- ⊙ 同轴度
- ≡ 对称度

ASME Y14.5M 1994

REGAL-BELOIT CORPORATION (RBC) 在个别领域为客户提供技术支持。鉴于RBC未收到任何涉及电机使用和应用环境的数据，电机的适用性由客户自己决定。

未注公差尺寸仅供参考。

绘图:	J RUPERT	03-30-1999
批准:	J MUR	04-01-1999
第三角投影		图纸格式发布日期 11-11-2011 图纸格式版本 G
机密:	本图纸及相关信息所有权归REGAL-BELOIT CORPORATION。未经REGAL-BELOIT CORPORATION书面授权，不得泄露、复制、传播或作其他用途。—版权所有	



名称	OUTLINE	
图幅	C	图号 11760-086
比例	NONE	页号 1