

4

3

2

1

GENERAL INFORMATION:

SHAFT RUNOUT: .001[.03] T.I.R. PER INCH LENGTH OF EXTENSION.  
 END PLAY: .010[.25] TO .063[1.6]  
 BEARINGS: SLEEVE  
 MOUNTING POSITION: ALL ANGLE  
 ELECTRICAL DATA:  
 OVERLOAD PROTECTOR: AUTOMATIC RESET (T.I. 7AM 036)  
 LEADS: NO. 18 GA., .03[.8] THK., 125°C INSUL.  
 REVERSING LEADS: NO. 18 GA., .03[.8] THK., CROSS-LINKED POLYETHELENE, 125°C INSUL.  
 GROUND LEAD: NO. 18 GA., .03[.8] THK., (GREEN) INSUL.

NOTES:

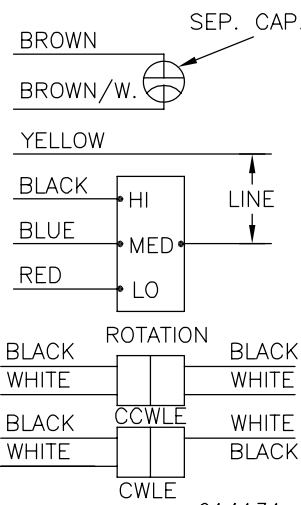
- THE FOLLOWING PARTS TO BE PACKED IN A POLYBAG WITH EACH MOTOR.  
4 RING SPLIT ADAPTORS
- DISTRIBUTION: CUST. P/N: FD1076  
GRAINGER: CUST. P/N: 4MA76

SEE NOTE 2

NAMEPLATE DATA:

MODEL: F48SQ6L31  
 CUST. P/N: [ ]  
 HP: 3/4  
 ROT.: REVERSIBLE  
 RPM: 1075/3 SPD  
 TYPE: UF  
 FRAME: 48Y  
 VOLTS: 208-230  
 PH: 1  
 AMPS: 4.9 (5.9 MAX.)  
 HZ: 60  
 INS.: B  
 AMB: 50 °C  
 DUTY: AIR OVER  
 CODE: -  
 CAP.: 10 MFD/370 V  
 ENCL: OPEN  
 UL LOGO  
 CSA LOGO  
 THERMALLY PROTECTED

EXTERNAL CONNECTION DIAGRAM



614131-111

| PERFORMANCE CURVE NO. | TORQUE @1075 RPM (25°C) | APPROVED SAMPLE |
|-----------------------|-------------------------|-----------------|
| C30847                | 72.0 OZ. FT.            | 92AC238A        |

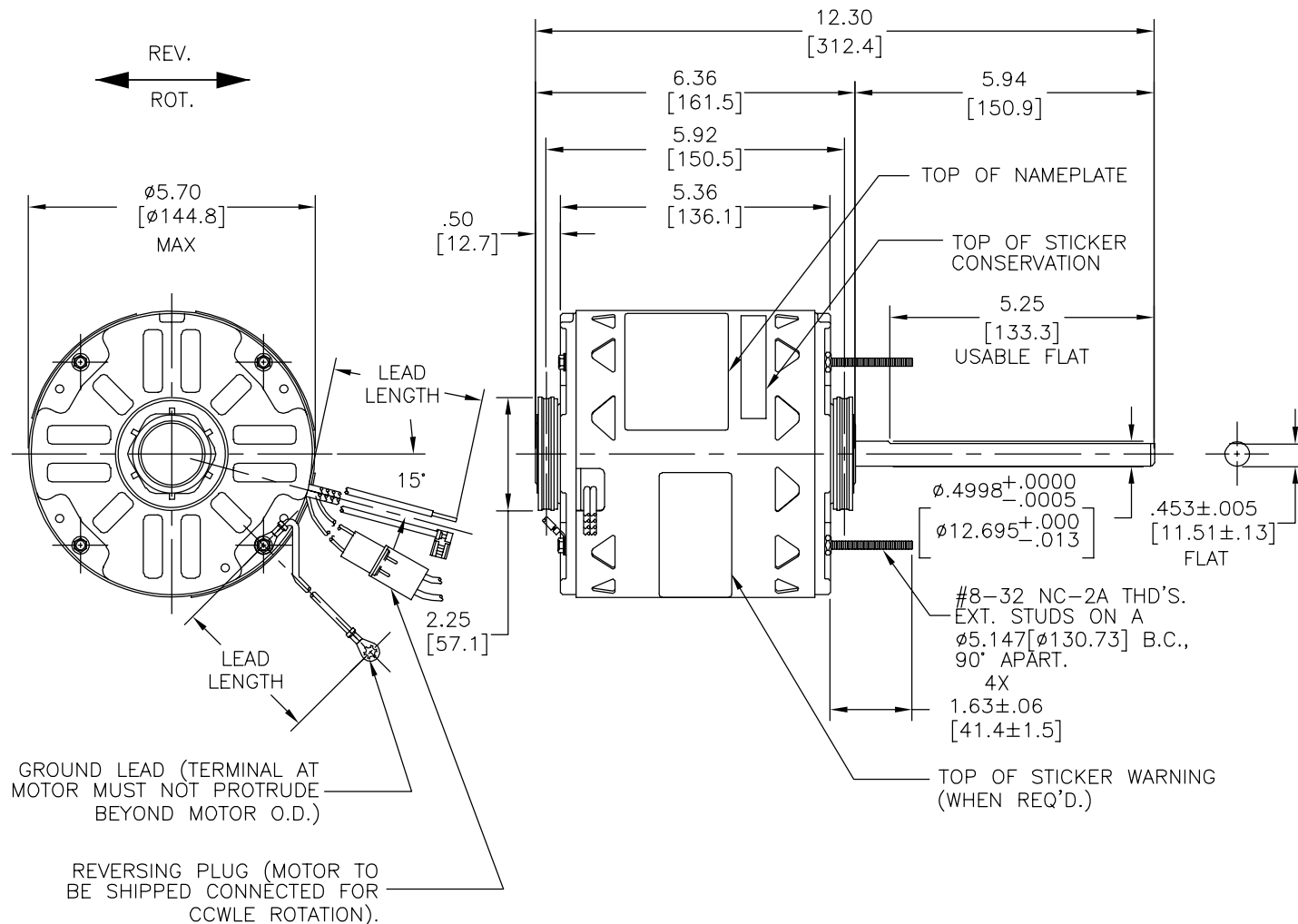
| UL COMPONENT |         | CSA     |         |
|--------------|---------|---------|---------|
| FILE #       | GUIDE # | FILE #  | GUIDE # |
| E46412       | PRGY2   | LR43341 | 260-0-0 |

GEOMETRIC CHARACTERISTICS & SYMBOLS  
 □ FLATNESS  
 - STRAIGHTNESS  
 < ANGULARITY  
 ⊥ PERPENDICULARITY (SQUARENESS)  
 // PARALLELISM  
 ○ ROUNDNESS (CIRCULARITY)  
 ∅ CYLINDRICITY  
 △ PROFILE OF ANY SURFACE  
 ∩ PROFILE OF ANY LINE  
 ↑ RUNOUT  
 ⊕ TRUE POSITION  
 ⊙ CONCENTRICITY  
 = SYMMETRY  
 ASME Y14.5M 1994

REGAL-BELOIT CORPORATION (RBC) PROVIDES TECHNICAL ASSISTANCE TO OUR CUSTOMERS IN SEVERAL AREAS. SINCE RBC DOES NOT RECEIVE ALL DATA CONCERNING THE USE AND APPLICATION OF THE MOTOR, THE SUITABILITY OF THE MOTOR FOR THE APPLICATION MUST BE DETERMINED BY THE CUSTOMER.

DIMENSIONS WITHOUT TOLERANCES ARE FOR REFERENCE ONLY.

| REV | ECO     | REV BY    | DATE       | APPD     | DATE       |
|-----|---------|-----------|------------|----------|------------|
| J   | 0025546 | E.SINECIO | 04-26-2012 | R.RASCON | 04-26-2012 |



GROUND LEAD (TERMINAL AT MOTOR MUST NOT PROTRUDE BEYOND MOTOR O.D.)

REVERSING PLUG (MOTOR TO BE SHIPPED CONNECTED FOR CCWLE ROTATION).

|             |                     |                          |
|-------------|---------------------|--------------------------|
| GREEN(GRD)  | 12.0/13.0 [305/330] | #10 EYELET               |
| BLACK/WHITE | 3.0/5.0 [76/127]    | REVERSING PLUG           |
| BROWN       | 26.0/28.0 [660/711] | .25[6.4] FLAG            |
| BROWN/WHITE | 26.0/28.0 [660/711] | .25[6.4] FLAG            |
| YELLOW      | 26.0/28.0 [660/711] | .50[12.7] SKIN           |
| BLACK       | 26.0/28.0 [660/711] | .50[12.7] SKIN           |
| BLUE        | 26.0/28.0 [660/711] | .50[12.7] SKIN           |
| RED         | 26.0/28.0 [660/711] | .50[12.7] SKIN           |
| COLOR       | LENGTH              | TERMINAL OR STRIP LENGTH |

|              |      |
|--------------|------|
| MAIN FR.-OLE | OPEN |
| END FR.-OLE  | OPEN |
| MAIN FR.-LE  | OPEN |
| END FR.-LE   | OPEN |

|          |       |                      |
|----------|-------|----------------------|
| ENCLOSED | CUST. | DISTRIBUTION SERVICE |
|----------|-------|----------------------|

A

4

3

2

1

DR BY: W.HEATH 01-20-1992  
 APPD: M.FREN 01-11-1993  
 EDS DATE 02-22-2008  
 FORMAT REV G  
 THIRD ANGLE PROJECTION  
 CONFIDENTIAL: THIS DRAWING AND ITS INFORMATION ARE THE EXCLUSIVE AND CONFIDENTIAL PROPERTY OF REGAL-BELOIT CORPORATION AND ARE NOT TO BE DISCLOSED, DUPLICATED, DISTRIBUTED OR OTHERWISE USED WITHOUT THE WRITTEN CONSENT OF REGAL-BELOIT CORPORATION. -ALL RIGHTS RESERVED.



DESCRIPTION: MODEL-RFHP-48FR OUTLINE  
 SIZE: C DWG NO: 11760-009  
 SCALE: NONE SHEET: 1

4

3

2

1

INFORMACION GENERAL:

OSCILACION DE FLECHA: .001 [.03] L.T.I. LONGITUD DE EXT. POR PULGADA

JUEGO AXIAL: .010[.25] A .063[1.6]  
BALEROS: MANGA

POSICION DE MONTAJE: TODOS LOS ANGULOS

DATOS ELECTRICOS:

SOBRECARGA DEL PROTECTOR: REINICIO AUTOMATICO (T.I. 7AM 304)  
CABLES: CAL. NO. 18, .03 [.8] ESPESOR 125' AISLANTE

CABLES DE REVERSA: CAL. NO. 18, .03 [.8] ESPESOR LIGADO EN CRUZ DE POLIETILENO 125' AISLANTE  
CABLE DE TIERRA: CAL. NO. 18, .03 [.8] ESPESOR (VERDE) AISLANTE

NOTAS:

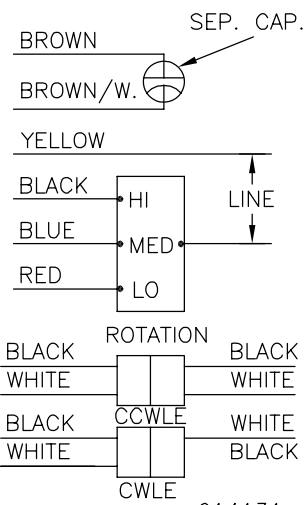
1. LAS SIGUIENTES PARTES DEBEN SER EMPACADAS EN UNA POLIBOLSA CON CADA MOTOR.  
4 ADAPTADORES DE ANILLOS PARTIDO
2. DISTRIBUCION: N/P CLIENTE: FD1076  
GRAINGER: N/P CLIENTE: 4KA44

VER NOTA

INF. PLACA DE DATOS:

DIAGRAMA DE CONEXION EXTERNA

MODEL: F48SQ6L31  
CUST. P/N: [ ]  
HP: 3/4  
ROT.: REVERSIBLE  
RPM: 1075/3 SPD  
TYPE: UF  
FRAME: 48Y  
VOLTS: 208-230  
PH: 1  
AMPS: 4.9 (5.9 MAX.)  
HZ: 60  
INS.: B  
AMB: 50 °C  
DUTY: AIR OVER  
CODE: -  
CAP.: 10 MFD/370 V  
ENCL: OPEN  
UL LOGO  
CSA LOGO  
THERMALLY PROTECTED



614131-111

| CURVAS DE FUNCIONALIDAD | TORSION @1075 RPM (25°C) | MUESTRA APROBADA |
|-------------------------|--------------------------|------------------|
| C30847                  | 72.0 OZ. FT.             | 92AC238A         |

| COMPONENTE UL |        |         |         |
|---------------|--------|---------|---------|
| #ARCH.        | #CLASE | #ARCH.  | #CLASE  |
| E46412        | PRGY2  | LR43341 | 260-ø-0 |

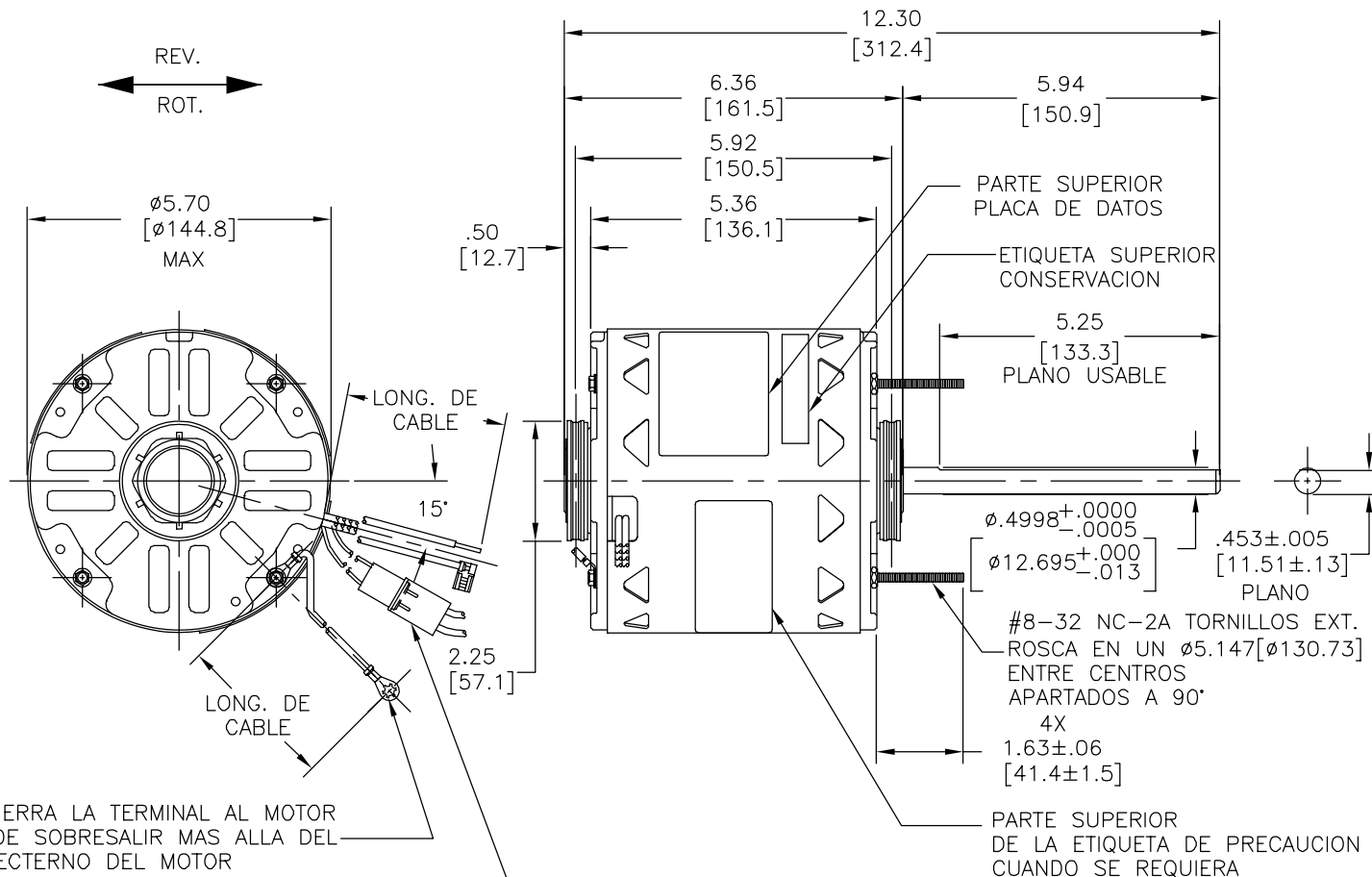
CARACTERISTICAS DE GEOMETRIA Y SIMBOLOS  
 □ PLANICIDAD  
 ⊥ RECTITUD  
 ∠ ANGULARIDAD  
 ⊥ PERPENDICULARIDAD (A ESCUADRA)  
 // PARALELISMO  
 ○ REDONDEZ (CIRCULARIDAD)  
 ∅ CILINDRICIDAD  
 △ PERFIL DE CUALQUIER SUPERFICIE  
 ∇ PERFIL DE CUALQUIER LINEA  
 ∠ VARIACION  
 ⊕ POSICION REAL  
 ⊙ CONCENTRICIDAD  
 = SIMETRIA

ASME Y14.5M 1994

REGAL-BELOIT CORPORATION (RBC) PROVEE ASISTENCIA TECNICA A NUESTROS CLIENTES EN VARIAS AREAS, DESDE QUE RBC NO RECIBE TODOS LOS DATOS EN RELACION AL USO Y A LA APLICACION DEL MOTOR, LA APLICACION ADECUADA DEL MOTOR DEBE SER DETERMINADA POR EL CLIENTE.

DIMENSIONES SIN TOLERANCIA SON DE REFERENCIA SOLAMENTE

| REVISION: | ECO     | REVISADO POR: | FECHA:     | APROBADO POR: | FECHA:     |
|-----------|---------|---------------|------------|---------------|------------|
| J         | 0025546 | E.SINECIO     | 04-26-2012 | R.RASCON      | 04-26-2012 |



CABLE A TIERRA LA TERMINAL AL MOTOR NO DEBE DE SOBRESALIR MAS ALLA DEL DIAMETRO ECTERNO DEL MOTOR

TAPON REVERSIBLE EL MOTOR DEBE SER EMBARCADO CONECTADO CON UNA ROTACION CONTRA LAS MANECILLAS DEL RELOJ

|                |                     |                              |
|----------------|---------------------|------------------------------|
| VERDE (TIERRA) | 12.0/13.0 [305/330] | #10 OJAL                     |
| CAFE/BLANCO    | 3.0/5.0 [76/127]    | TAPON REVERSIBLE             |
| CAFE           | 26.0/28.0 [660/711] | .25[6.4] BANDERA             |
| CAFE/BLANCO    | 26.0/28.0 [660/711] | .25[6.4] BANDERA             |
| AMARILLO       | 26.0/28.0 [660/711] | .50[12.7] FORRO              |
| NEGRO          | 26.0/28.0 [660/711] | .50[12.7] FORRO              |
| AZUL           | 26.0/28.0 [660/711] | .50[12.7] FORRO              |
| ROJO           | 26.0/28.0 [660/711] | .50[12.7] FORRO              |
| COLOR          | LONGITUD            | TERMINAL O LONG. DE DESFORRE |

INFORMACION DE CABLES

|                   |         |
|-------------------|---------|
| CUERPO PPAL. -OLE | ABIERTO |
| TAPA FINAL -OLE   | ABIERTO |
| CUERPO PPAL. -LE  | ABIERTO |
| TAPA FINAL -LE    | ABIERTO |

INCLUIDO

CLIENTE DISTRIBUTION SERVICE

4

3

2

1

REGAL-BELOIT CORPORATION (RBC) PROVEE ASISTENCIA TECNICA A NUESTROS CLIENTES EN VARIAS AREAS, DESDE QUE RBC NO RECIBE TODOS LOS DATOS EN RELACION AL USO Y A LA APLICACION DEL MOTOR, LA APLICACION ADECUADA DEL MOTOR DEBE SER DETERMINADA POR EL CLIENTE.

REGAL-BELOIT CORPORATION (RBC) PROVEE ASISTENCIA TECNICA A NUESTROS CLIENTES EN VARIAS AREAS, DESDE QUE RBC NO RECIBE TODOS LOS DATOS EN RELACION AL USO Y A LA APLICACION DEL MOTOR, LA APLICACION ADECUADA DEL MOTOR DEBE SER DETERMINADA POR EL CLIENTE.

DIMENSIONES SIN TOLERANCIA SON DE REFERENCIA SOLAMENTE

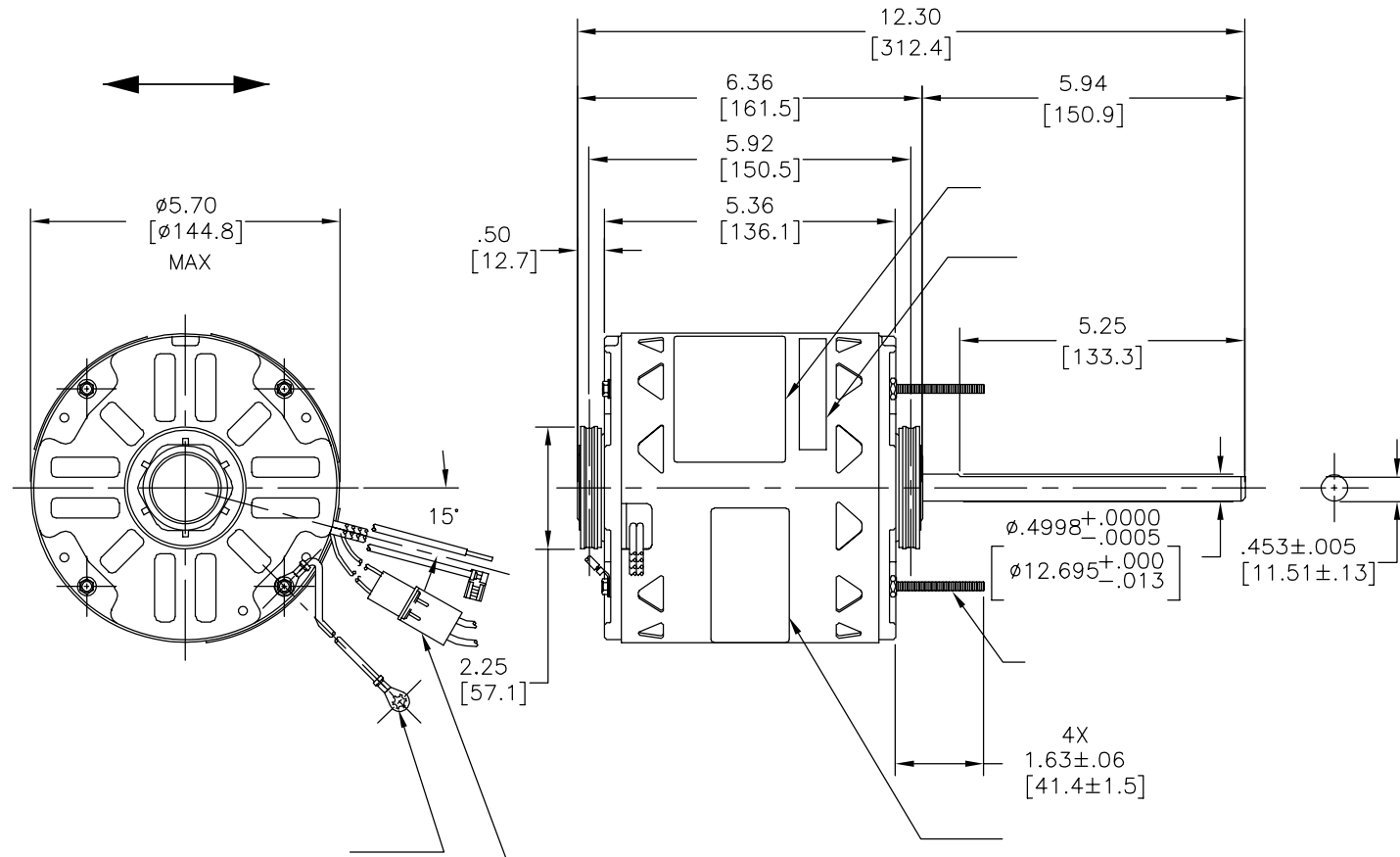
|                             |         |                                          |
|-----------------------------|---------|------------------------------------------|
| DIBUJADO POR:               | W.HEATH | 01-20-1992                               |
| APROBADO POR:               | M.FREN  | 01-11-1993                               |
| TERCER ANGULO DE PROYECCION | ⊕       | FECHA EDS: 02-22-2008<br>REV. FORMATO: G |

CONFIDENCIAL: ESTE DIBUJO Y SU INFORMACION SON PROPIEDAD DE USO EXCLUSIVO Y CONFIDENCIAL DE REGAL-BELOIT CORPORATION. Y NO DEBERAN SER REVELADOS, DUPLICADOS, DISTRIBUIDOS O USARSE DE OTRA MANERA SIN EL CONSENTIMIENTO ESCRITO DE REGAL-BELOIT CORPORATION. -TODOS LOS DERECHOS RESERVADOS.



|              |                            |                                |
|--------------|----------------------------|--------------------------------|
| DESCRIPCION: | MODEL-RFHP-48FR<br>OUTLINE |                                |
| TAMAÑO:      | C                          | NUMERO DE DIBUJO:<br>11760-009 |
| ESCALA:      | NONE                       | HOJA: 1                        |

|    |         |           |            |          |            |
|----|---------|-----------|------------|----------|------------|
| 版本 | ECO     | 编制        | 日期         | 批准       | 日期         |
| J  | 0025546 | E.SINECIO | 04-26-2012 | R.RASCON | 04-26-2012 |



MODEL: F48SQ6L31  
 CUST. P/N: [ ]  
 HP: 3/4  
 ROT.: REVERSIBLE  
 RPM: 1075/3 SPD  
 TYPE: UF  
 FRAME: 48Y  
 VOLTS: 208-230  
 PH: 1  
 AMPS: 4.9 (5.9 MAX.)  
 HZ: 60  
 INS.: B  
 AMB: 50 °C  
 DUTY: AIR OVER  
 CODE: -  
 CAP.: 10 MFD/370 V  
 ENCL: OPEN  
 UL LOGO  
 CSA LOGO  
 THERMALLY PROTECTED

BROWN SEP. CAP.  
 BROWN/W.  
 YELLOW  
 BLACK HI  
 BLUE MED  
 RED LO

ROTATION  
 BLACK BLACK  
 WHITE WHITE  
 BLACK CCWLE WHITE  
 WHITE CWLE BLACK

614131-111

|  |           |  |
|--|-----------|--|
|  | 12.0/13.0 |  |
|  | [305/330] |  |
|  | 3.0/5.0   |  |
|  | [76/127]  |  |
|  | 26.0/28.0 |  |
|  | [660/711] |  |
|  | 26.0/28.0 |  |
|  | [660/711] |  |
|  | 26.0/28.0 |  |
|  | [660/711] |  |
|  | 26.0/28.0 |  |
|  | [660/711] |  |
|  | 26.0/28.0 |  |
|  | [660/711] |  |

|        |              |          |        |       |         |         |
|--------|--------------|----------|--------|-------|---------|---------|
| C30847 | 72.0 OZ. FT. | 92AC238A | E46412 | PRGY2 | LR43341 | 260-0-0 |
|--------|--------------|----------|--------|-------|---------|---------|

- 形位公差
- 平面度
- 直线度
- ∠ 倾斜度
- ⊥ 垂直度
- // 平行度
- 圆度
- ⊘ 圆柱度
- ⊙ 面轮廓度
- △ 线轮廓度
- ↗ 圆跳动
- ⊕ 位置度
- ⊙ 同轴度
- ≡ 对称度

ASME Y14.5M 1994

REGAL-BELOIT CORPORATION (RBC) 在个别领域为客户提供技术支持。鉴于RBC未收到任何涉及电机使用和应用环境的数据，电机的适用性由客户自己决定。

未注公差尺寸仅供参考。

绘图: W.HEATH 01-20-1992  
 批准: M.FREN 01-11-1993  
 第三角投影

图名: MODEL-RFHP-48FR OUTLINE  
 图幅: C 图号: 11760-009  
 比例: NONE 页号: 1

图纸格式发布日期 02-22-2008  
 图纸格式版本 G

机密: 本图纸及相关信息所有权归REGAL-BELOIT CORPORATION。未经REGAL-BELOIT CORPORATION书面授权, 不得泄露、复制或传播作其他用途。—版权所有

REGAL-BELOIT CORPORATION

名称: MODEL-RFHP-48FR OUTLINE  
 图幅: C 图号: 11760-009  
 比例: NONE 页号: 1

D  
C  
B  
A

D  
C  
B  
A

4  
4  
4  
4

3  
3  
3  
3

2  
2  
2  
2

1  
1  
1  
1