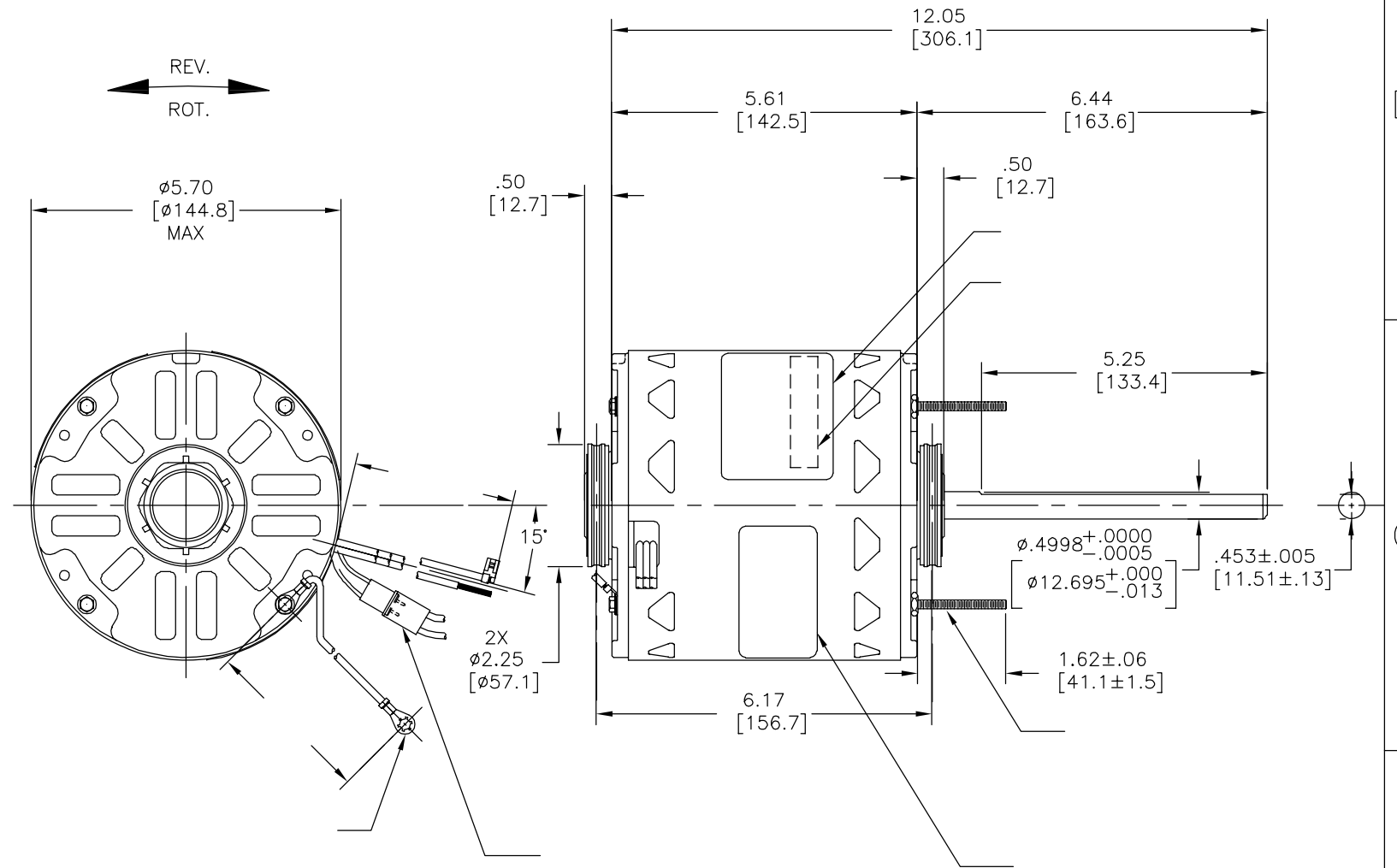


版本	ECO	编制	日期	批准	日期
A	0037127	J.M.RAMIREZ	08-30-2013	G.ALVIDREZ	08-30-2013



MODEL: F48SQ4L7
 CUST. P/N:
 HP: 3/4
 ROT.: REVERSIBLE
 RPM: 1625/3 SPD.
 TYPE: UF
 FRAME: 48Y
 VOLTS: 208-230
 PH: 1
 AMPS: 4.0 (7.0 MAX)
 HZ: 60
 INS.: A
 AMB: 40 °C
 DUTY: AIR OVER
 CAP.: 7.5 MFD/370 V
 ENCL: OPEN
 CSA LOGO
 UL LOGO
 THERMALLY PROTECTED

BROWN SEP. CAP.
 BROWN/W.
 YELLOW
 BLACK HI LINE
 BLUE MED
 RED LO
 ROTATION
 BLACK WHITE
 WHITE WHITE
 BLACK CCWLE WHITE
 WHITE CWLE BLACK

614131-111

	12.0/13.0	
	[305/330]	
	3.0/5.0	
	[76/127]	
	26.0/28.0	
	[660/711]	
	26.0/28.0	
	[660/711]	
	26.0/28.0	
	[660/711]	
	26.0/28.0	
	[660/711]	
	26.0/28.0	
	[660/711]	
	26.0/28.0	
	[660/711]	
COLOR		

	DISTRIBUTION SERVICE
--	----------------------

C23340	48.0 OZ. FT.	E46412	PRGY2	LR43341	260-Ø-0

- 形位公差
 □ 平面度
 — 直线度
 < 倾斜度
 ⊥ 垂直度
 // 平行度
 ○ 圆度
 ⊙ 圆柱度
 △ 面轮廓度
 ∇ 线轮廓度
 ⤴ 圆跳动
 ⊕ 位置度
 ⊗ 同轴度
 ≡ 对称度

ASME Y14.5M 1994

REGAL-BELOIT CORPORATION (RBC) 在个别领域为客户提供技术支持。鉴于RBC未收到任何涉及电机使用和应用环境的数据，电机的适用性由客户自己决定。

未注公差尺寸仅供参考。

绘图: J.M.RAMIREZ 08-30-2013
 批准: CH.MCREYNOLDS 08-30-2013
 第三角投影
 图纸格式发布日期 11-11-2011
 图纸格式版本 H
 机密: 本图纸及相关信息所有权归REGAL-BELOIT CORPORATION。未经REGAL-BELOIT CORPORATION书面授权, 不得泄露、复制或传播作其他用途。—版权所有

REGAL REGAL-BELOIT CORPORATION

名称: MODEL-RFHP-48FR OUTLINE

图幅: C 图号: FD1074

比例: NONE 页号: 1

4

3

2

1

REV	ECO	REV BY	DATE	APPD	DATE
A	0037127	J.M.RAMIREZ	08-30-2013	G.ALVIDREZ	08-30-2013

GENERAL INFORMATION:

SHAFT RUNOUT: .001[.03] T.I.R. PER INCH LENGTH OF EXTENSION.

END PLAY: .010[.25] TO .063[1.60]

BEARINGS: SLEEVE

MOUNTING POSITION: HORIZONTAL

ELECTRICAL DATA:

OVERLOAD PROTECTOR: AUTOMATIC RESET (T.I. 7AM 032)

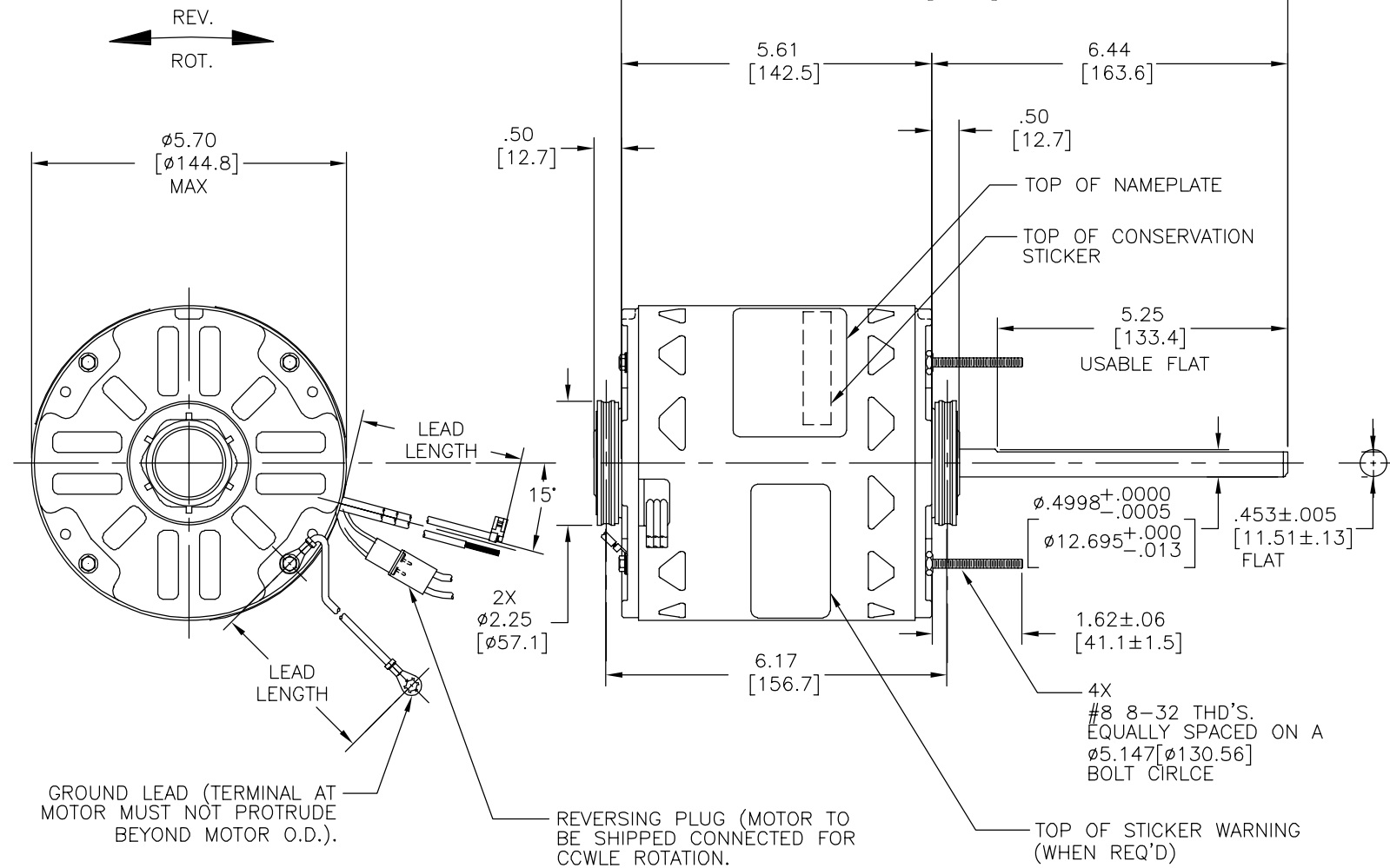
LEADS: NO. 18 GA., .06[1.5] THK. 125°C INSUL.

REVERSING LEADS: NO. 18 GA., .03[.8] THK. 125°C INSUL.

GROUND LEAD: NO. 18 GA., .03[.8] THK., (GREEN) INSUL.

NOTE:

- SNAP RINGS 615035(4 REQ'D) TO BE PACKED WITH EACH MOTOR.
- DISTRIBUTION: CUST. P/N: FD1074
GRAINGER: CUST. P/N: 4MA94



NAMEPLATE DATA: MODEL: F48SQ4L7
CUST. P/N: []
HP: 3/4
ROT.: REVERSIBLE
RPM: 1625/3 SPD.
TYPE: UF
FRAME: 48Y
VOLTS: 208-230
PH: 1
AMPS: 4.0 (7.0 MAX)
HZ: 60
INS.: A
AMB: 40 °C
DUTY: AIR OVER
CAP.: 7.5 MFD/370 V
ENCL: OPEN
CSA LOGO
UL LOGO
THERMALLY PROTECTED

EXTERNAL CONNECTION DIAGRAM

SEE NOTE 2

BROWN SEP. CAP.
BROWN/W.

YELLOW LINE

BLACK HI
BLUE MED
RED LO

ROTATION

BLACK WHITE
WHITE WHITE
BLACK CCWLE WHITE
WHITE CWLE BLACK

614131-111

GREEN(GRD)	12.0/13.0 [305/330]	#10 EYELET
BLACK/WHITE	3.0/5.0 [76/127]	REVERSING PLUG
BROWN	26.0/28.0 [660/711]	.25[6.4] FLAG
BROWN/WHITE	26.0/28.0 [660/711]	.25[6.4] FLAG
YELLOW	26.0/28.0 [660/711]	.50[12.7] SKIN
BLACK	26.0/28.0 [660/711]	.50[12.7] SKIN
BLUE	26.0/28.0 [660/711]	.50[12.7] SKIN
RED	26.0/28.0 [660/711]	.50[12.7] SKIN
COLOR	LENGTH	TERMINAL OR STRIP LENGTH

MAIN FR.-OLE	OPEN
END FR.-OLE	OPEN
MAIN FR.-LE	OPEN
END FR.-LE	OPEN

CUST.	DISTRIBUTION SERVICE
-------	----------------------

PERFORMANCE CURVE NO.	TORQUE @1625 RPM (25°C)	APPROVED SAMPLE	UL COMPONENT	CSA
C23340	48.0 OZ. FT.	EX11402	FILE # PRGY2	FILE # LR43341
			GUIDE #	GUIDE #
			E46412	260-φ-0

GEOMETRIC CHARACTERISTICS & SYMBOLS

- FLATNESS
- STRAIGHTNESS
- ANGULARITY
- PERPENDICULARITY (SQUARENESS)
- PARALLELISM
- ROUNDNESS (CIRCULARITY)
- CYLINDRICITY
- PROFILE OF ANY SURFACE
- PROFILE OF ANY LINE
- RUNOUT
- TRUE POSITION
- CONCENTRICITY
- SYMMETRY

ASME Y14.5M 1994

REGAL-BELOIT CORPORATION (RBC) PROVIDES TECHNICAL ASSISTANCE TO OUR CUSTOMERS IN SEVERAL AREAS. SINCE RBC DOES NOT RECEIVE ALL DATA CONCERNING THE USE AND APPLICATION OF THE MOTOR, THE SUITABILITY OF THE MOTOR FOR THE APPLICATION MUST BE DETERMINED BY THE CUSTOMER.

DIMENSIONS WITHOUT TOLERANCES ARE FOR REFERENCE ONLY.

DR BY: J.M.RAMIREZ 08-30-2013

APPD: CH.MCREYNOLDS 08-30-2013

THIRD ANGLE PROJECTION

EDS DATE 11-11-2011
FORMAT REV H

CONFIDENTIAL: THIS DRAWING AND ITS INFORMATION ARE THE EXCLUSIVE AND CONFIDENTIAL PROPERTY OF REGAL-BELOIT CORPORATION AND ARE NOT TO BE DISCLOSED, DUPLICATED, DISTRIBUTED OR OTHERWISE USED WITHOUT THE WRITTEN CONSENT OF REGAL-BELOIT CORPORATION. -ALL RIGHTS RESERVED.

REGAL REGAL-BELOIT CORPORATION

DESCRIPTION: MODEL-RFHP-48FR
OUTLINE

SIZE C DWG NO FD1074

SCALE NONE SHEET 1

4

3

2

1

4

3

2

1

REVISION:	ECO	REVISADO POR:	FECHA:	APROBADO POR:	FECHA:
A	0037127	J.M.RAMIREZ	08-30-2013	G.ALVIDREZ	08-30-2013

INFORMACION GENERAL:

OSCILACION: .001[.03] L.T.I. LONGITUD POR PULGADA DE EXTENSION.

JUEGO AXIAL: .010[.25] A .063[1.60]

BALEROS: MANGA

POSICION DE MONTAJE: HORIZONTAL

INFORMACION ELECTRICA:

PROTECTOR REINICIO AUTOMATICO (T.I. 7AM 032)
SOBRECARGADO:

CABLES: CALIBRE NO. 18, .06[1.5] ESPESOR. AISLAMIENTO 125°C

CABLES DE REVERSA: CALIBRE NO. 18, .03[.8] GROSOR. AISLAMIENTO 125°C

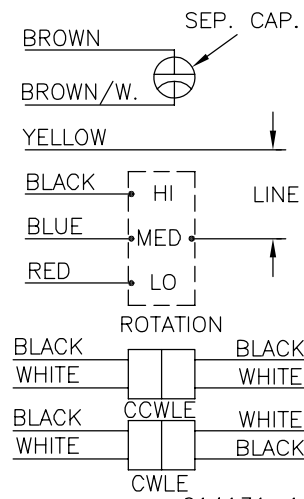
CABLE A TIERRA: CALIBRE NO. 18, .03[.8] GROSOR. AISLAMIENTO (VERDE)

NOTAS:

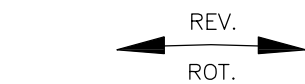
- ANILLOS DE RETENCION RAPIDA 615035(4 REQUERIDOS) DEBEN SER EMPACADOS CON CADA MOTOR.
- DISTRIBUTION: NUM. DE PARTE DEL CLIENTE: FD1074
GRAINGER: NUM. DE PARTE DEL CLIENTE: 4MA94

VER NOTA 2

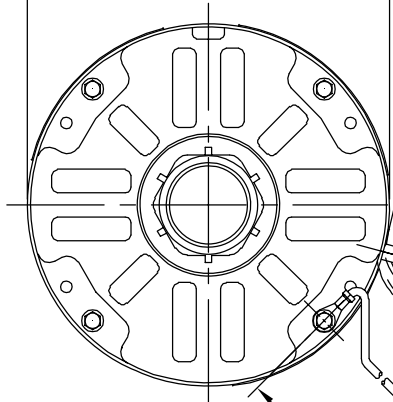
MODEL: F48SQ4L7
CUST. P/N: []
HP: 3/4
ROT.: REVERSIBLE
RPM: 1625/3 SPD.
TYPE: UF
FRAME: 48Y
VOLTS: 208-230
PH: 1
AMPS: 4.0 (7.0 MAX)
HZ: 60
INS.: A
AMB: 40 °C
DUTY: AIR OVER
CAP.: 7.5 MFD/370 V
ENCL: OPEN
CSA LOGO
UL LOGO
THERMALLY PROTECTED



614131-111



Ø5.70 [Ø144.8] MAX



CABLE A TIERRA (TERMINAL EN EL MOTOR NO DEBE SOBRESALIR MAS ALLA DEL DIAMETRO EXTERNO DEL MOTOR).

VERDE(TIERRA)	12.0/13.0 [305/330]	#10 OJAL
BLANCO/NEGRO	3.0/5.0 [76/127]	CLAVIJAD DE REVERSA
CAFE	26.0/28.0 [660/711]	.25[6.4] BANDERA
BLANCO/CAFE	26.0/28.0 [660/711]	.25[6.4] BANDERA
AMARILLO	26.0/28.0 [660/711]	.50[12.7] DESFORRE
NEGRO	26.0/28.0 [660/711]	.50[12.7] DESFORRE
AZUL	26.0/28.0 [660/711]	.50[12.7] DESFORRE
ROJO	26.0/28.0 [660/711]	.50[12.7] DESFORRE
COLOR	LONGITUD	LONG. DE TERM. O DESF.

INFORMACION DE CABLES

CARCASA-OLE	ABIERTO
TAPA-OLE	ABIERTO
CARCASA-LE	ABIERTO
TAPA-LE	ABIERTO

CONJUNTO

CLIENTE	DISTRIBUTION SERVICE
---------	----------------------

CARACTERISTICAS DE GEOMETRIA Y SIMBOLOS
 ▽ PLANICIDAD
 — RECTITUD
 < ANGULARIDAD
 ⊥ PERPENDICULARIDAD (A ESCUADRA)
 // PARALELISMO
 ○ REDONDEZ (CIRCULARIDAD)
 ∅ CILINDRICIDAD
 △ PERFIL DE CUALQUIER SUPERFICIE
 ∩ PERFIL DE CUALQUIER LINEA
 ∠ VARIACION
 ⊕ POSICION REAL
 ⊙ CONCENTRICIDAD
 = SIMETRIA
 ASME Y14.5M 1994

REGAL-BELOIT CORPORATION (RBC) PROVEE ASISTENCIA TECNICA A NUESTROS CLIENTES EN VARIAS AREAS, DESDE QUE RBC NO RECIBE TODOS LOS DATOS EN RELACION AL USO Y A LA APLICACION DEL MOTOR, LA APLICACION ADECUADA DEL MOTOR DEBE SER DETERMINADA POR EL CLIENTE.

DIMENSIONES SIN TOLERANCIA SON DE REFERENCIA SOLAMENTE

DIBUJADO POR: J.M.RAMIREZ 08-30-2013
 APROBADO POR: CH.MCREYNOLDS 08-30-2013
 TERCER ANGULO DE PROYECCION
 FECHA EDS: 11-11-2011
 REV. FORMATO: H
 CONFIDENCIAL: ESTE DIBUJO Y SU INFORMACION SON PROPIEDAD DE USO EXCLUSIVO Y CONFIDENCIAL DE REGAL-BELOIT CORPORATION. Y NO DEBERAN SER REVELADOS, DUPLICADOS, DISTRIBUIDOS O USARSE DE OTRA MANERA SIN EL CONSENTIMIENTO ESCRITO DE REGAL-BELOIT CORPORATION. -TODOS LOS DERECHOS RESERVADOS.



DESCRIPCION: MODEL-RFHP-48FR OUTLINE
 TAMAÑO: C NUMERO DE DIBUJO: FD1074
 ESCALA: NONE HOJA: 1

4

3

2

1