

4

3

2

1

GENERAL INFORMATION:

SHAFT RUNOUT: .001 [.03] T.I.R. PER INCH LENGTH OF EXTENSION
 END PLAY: .010[.25] TO .063[1.60]
 BEARINGS: SLEEVE
 MOUNTING POSITION: ALL ANGLE

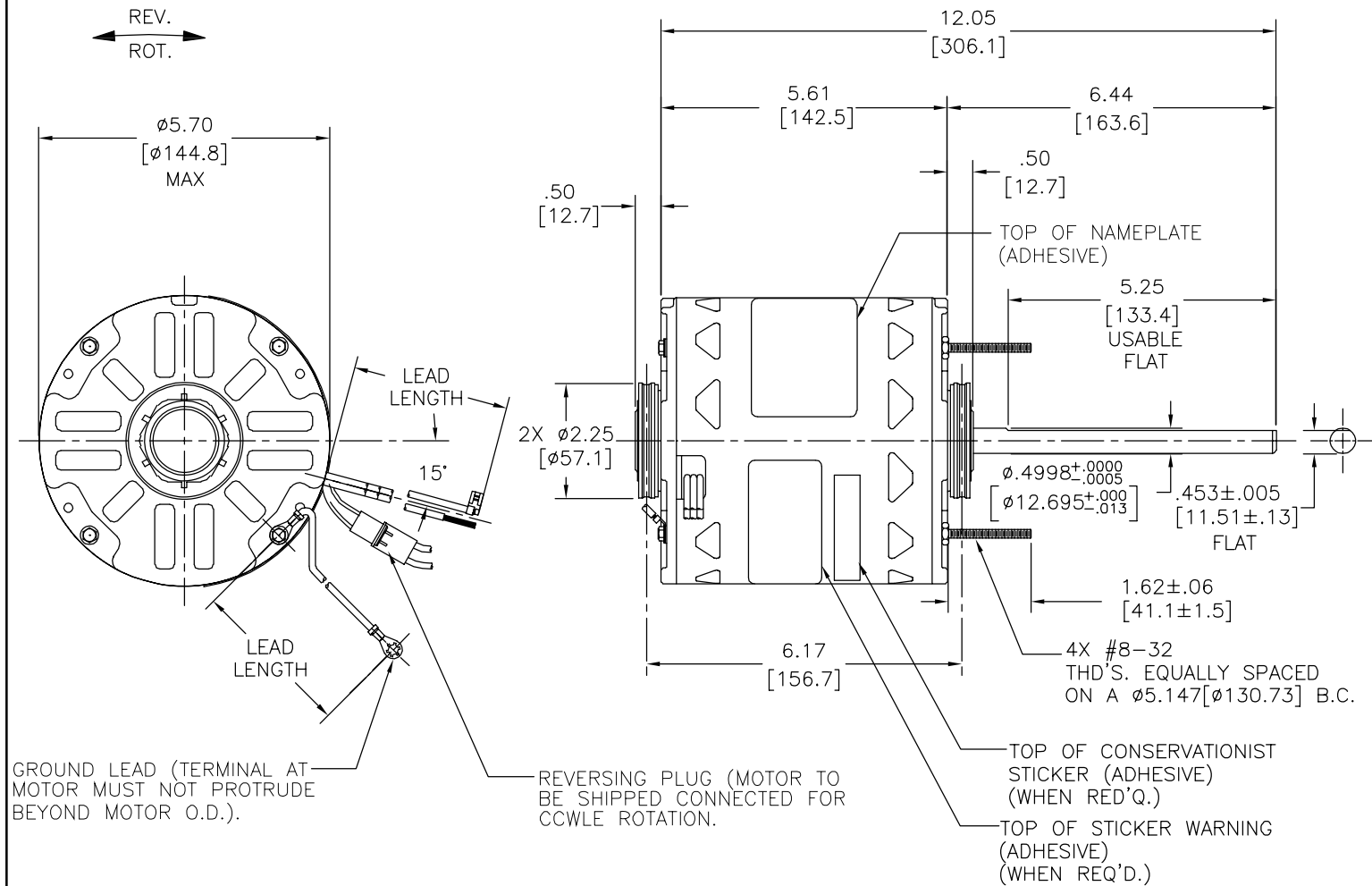
ELECTRICAL DATA:

OVERLOAD PROTECTOR: AUTOMATIC RESET (T.I. 7AM 036)
 LEADS: NO. 18 GA., .06 [1.5] THK. PVC 105°C INSUL.
 REVERSING PLUGS: NO. 18 GA., .03 [.8] THK. 125°C INSUL.
 GROUND LEAD: NO. 18 GA., .03 [.8] THK. (GREEN) INSUL.

NOTE:
 1. 4X SNAP RINGS 53P26-1 TO BE PACKED WITH EACH MOTOR
 2. DISTRIBUTION:CUST.P/N:FDL1076
 GRAINGER:CUST.P/N:4MA74

SEE NOTE 2

REV	ECO	REV BY	DATE	APPD	DATE
K	0025546	E.SINECIO	04-26-2012	R.RASCON	04-26-2012



GROUND LEAD (TERMINAL AT MOTOR MUST NOT PROTRUDE BEYOND MOTOR O.D.).

REVERSING PLUG (MOTOR TO BE SHIPPED CONNECTED FOR CCWLE ROTATION).

TOP OF CONSERVATIONIST STICKER (ADHESIVE) (WHEN RED'Q.)
 TOP OF STICKER WARNING (ADHESIVE) (WHEN REQ'D.)

COLOR	LENGTH	TERMINAL OR STRIP LENGTH
GREEN (GROUND)	12.0/13.0 [305/330]	#10 EYELET
BLACK/WHITE	3.0/5.0 [76/127]	REVERSING PLUG
BROWN	26.0/28.0 [660/711]	.25 [6.4] FLAG
BROWN/WHITE	26.0/28.0 [660/711]	.25 [6.4] FLAG
YELLOW	26.0/28.0 [660/711]	.50 [12.7] SKIN
BLACK	26.0/28.0 [660/711]	.50 [12.7] SKIN
BLUE	26.0/28.0 [660/711]	.50 [12.7] SKIN
RED	26.0/28.0 [660/711]	.50 [12.7] SKIN

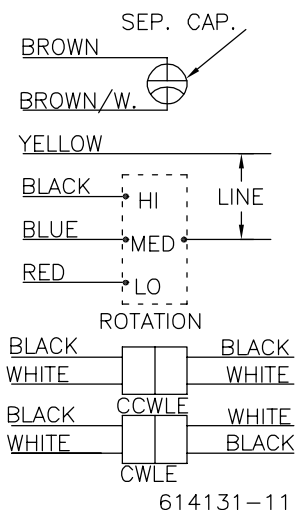
ENCLOSURE	
MAIN FRAME - OLE	OPEN
END FRAME - OLE	OPEN
MAIN FRAME - LE	OPEN
END FRAME - LE	OPEN

CUSTOMER	DISTRIBUTION SERVICE

NAMEPLATE DATA:

MODEL NO.: F48SQ6L34B1
 CUST. P/N: []
 HP: 3/4
 ROT.: REVERSIBLE
 RPM: 1075/3 SPD.
 TYPE: UF
 FRAME: 48Y
 VOLTS: 115
 PH: 1
 AMPS: 9.8 (11.8 MAX)
 HZ: 60
 INS.: B
 AMB.: 50°C
 DUTY: AIR OVER
 CAP.: 15 MFD/370V
 ENCL: OPEN
 UL LOGO
 CSA LOGO
 THERMALLY PROTECTED

EXTERNAL CONNECTION DIAGRAM



614131-111

PERFORMANCE CURVE NO.	TORQUE @ 1075 RPM (25°C)	APPROVED SAMPLE	UL COMPONENT		CSA	
			FILE #	CCN #	FILE #	CLASS #
C30848	73.5 OZ. FT.	92AC239B	E46412	PRGY2	LR43341	260-Ø-0

GEOMETRIC CHARACTERISTICS & SYMBOLS
 ▽ FLATNESS
 — STRAIGHTNESS
 < ANGLARITY
 ⊥ PERPENDICULARITY (SQUARENESS)
 // PARALLELISM
 ○ ROUNDNESS (CIRCULARITY)
 ⌀ CYLINDRICITY
 △ PROFILE OF ANY SURFACE
 ∇ PROFILE OF ANY LINE
 ↗ RUNOUT
 ⊕ TRUE POSITION
 ⊙ CONCENTRICITY
 = SYMMETRY
 ASME Y14.5M 1994

REGAL-BELOIT CORPORATION (RBC) PROVIDES TECHNICAL ASSISTANCE TO OUR CUSTOMERS IN SEVERAL AREAS. SINCE RBC DOES NOT RECEIVE ALL DATA CONCERNING THE USE AND APPLICATION OF THE MOTOR, THE SUITABILITY OF THE MOTOR FOR THE APPLICATION MUST BE DETERMINED BY THE CUSTOMER.

DIMENSIONS WITHOUT TOLERANCES ARE FOR REFERENCE ONLY.

DR BY:

M.A.D 08-06-1992

APPD:

D.CORB 09-14-1995

THIRD ANGLE PROJECTION

EDS DATE 02-22-2008

FORMAT REV G

CONFIDENTIAL: THIS DRAWING AND ITS INFORMATION ARE THE EXCLUSIVE AND CONFIDENTIAL PROPERTY OF REGAL-BELOIT CORPORATION AND ARE NOT TO BE DISCLOSED, DUPLICATED, DISTRIBUTED OR OTHERWISE USED WITHOUT THE WRITTEN CONSENT OF REGAL-BELOIT CORPORATION. -ALL RIGHTS RESERVED.



DESCRIPTION	
MODEL-RFHP-48FR OUTLINE	
SIZE C	DWG NO 11760-017
SCALE NONE	SHEET 1

4

3

2

1

4

3

2

1

INFORMACION GENERAL:

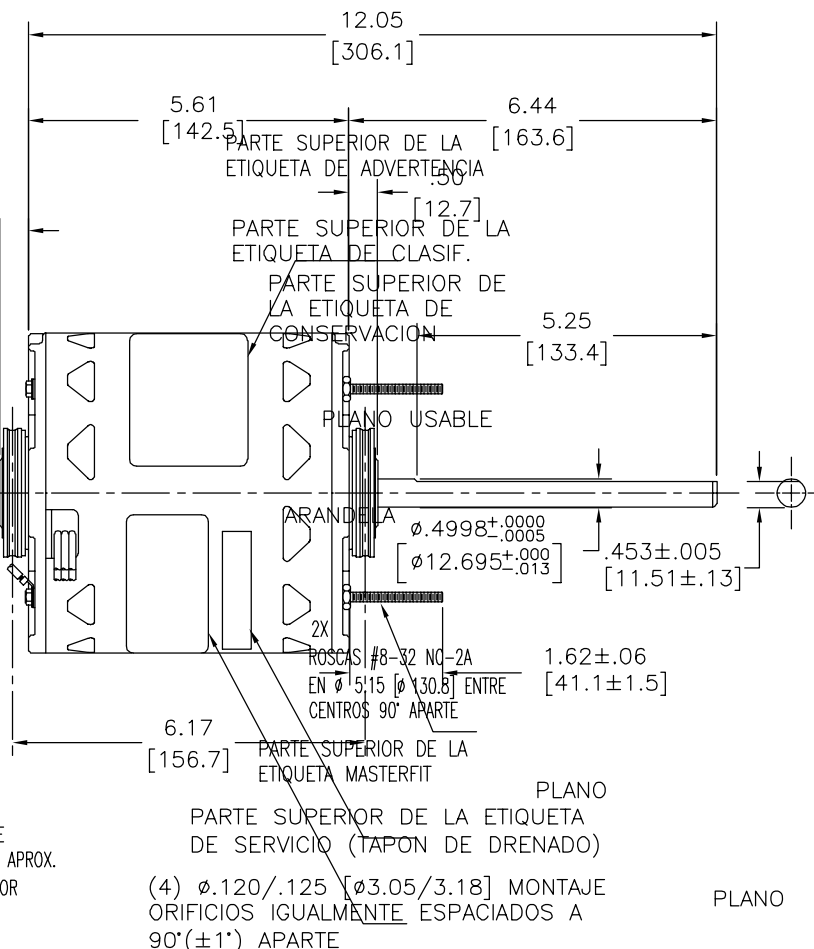
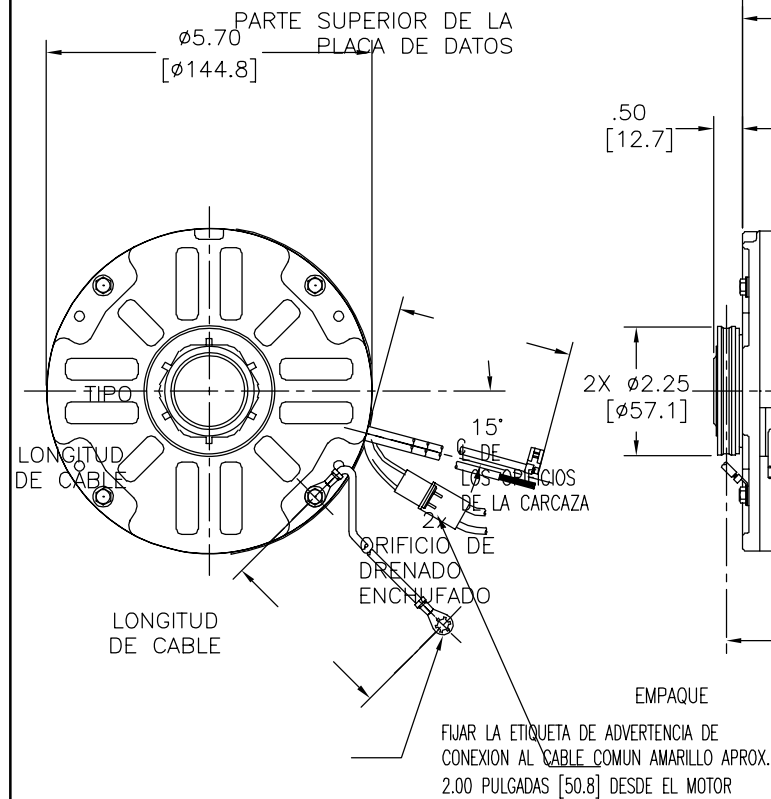
OSCILACION DE FLECHA: .001 [.03] L.T.I. LONGITUD DE EXTENSION POR PULGADA

BALEROS: BOLA
 POSICION DE MONTAJE: TODO EL ANGULO

DATOS ELECTRICOS:

SOBRECARGA DEL PROTECTOR: REINICIO AUTOMATICO (T.I. 7AM 036)
 CABLES DE LINEA: NO. 18 GA., .06 [1.5] DE ESPESOR EPDM 125°C AISLANTE
 TAPON DE INVERSION: NO. 18 GA., .03 [.8] ESPESOR XLP 125°C AISLANTE
 CABLE DE TIERRA: NO. 18 GA., .03 [.8] ESPESOR (VERDE) AISLANTE

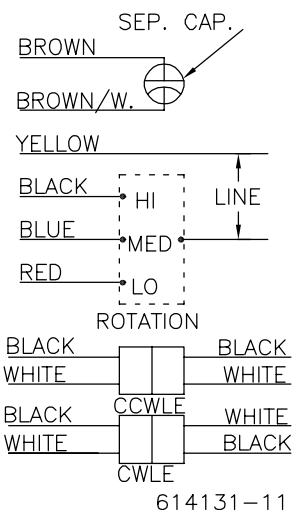
REVISION:	ECO	REVISADO POR:	FECHA:	APROBADO POR:	FECHA:
K	0025546	E.SINECIO	04-26-2012	R.RASCON	04-26-2012



DATOS DE PLACA DE DATOS:

DIAGRAMA DE CONEXION EXTERNA

MODEL NO.: F48SQ6L34B1
 CUST. P/N: []
 HP: 3/4
 ROT.: REVERSIBLE
 RPM: 1075/3 SPD.
 TYPE: UF
 FRAME: 48Y
 VOLTS: 115
 PH: 1
 AMPS: 9.8 (11.8 MAX)
 HZ: 60
 INS.: B
 AMB.: 50°C
 DUTY: AIR OVER
 CAP.: 15 MFD/370V
 ENCL: OPEN
 UL LOGO
 CSA LOGO
 THERMALLY PROTECTED



614131-111

CURVAS DE FUNCIONAMIENTO	TORSION @1075 RPM (25°C)	MUESTRA APROVADA	COMPONENTE UL	CSA
C30848	393.5 OZ. PIES	92AC239B	E46412 PRGY2	LR43341 260-Ø-0

CABLE DE TIERRA (LA TERMINAL HACIA EL MOTOR NO DEBE SOBREPASAR MAS ALLA DEL DIAMETRO EXTERIOR DEL MOTOR)

VERDE (TIERRA)	3.0/5.0 [76/127]	OJAL #10
NEGRO/BLANCO	26.0/28.0 [660/711]	TAPON DE INVERSION
CAFE	26.0/28.0 [660/711]	BANDERA
CAFE/BLANCO	26.0/28.0 [660/711]	BANDERA
ROJO	26.0/28.0 [660/711]	FORRO
NEGRO	26.0/28.0 [660/711]	FORRO
AMARILLO	26.0/28.0 [660/711]	FORRO
COLOR	LONGITUD	TERMINAL O LONGITUD DE DESFORRE

NOTA:

DENOTA CARACTERISTICAS CRITICAS
 (4) TORNILLOS Y (4) TUERCAS SERAN EMPAQUETADAS CON CADA MOTOR

CUERPO PPAL.-OLE	CERRADO
TAPA FINAL - OLE	CERRADO CON ORIFICIO DE DRENADO
CUERPO PPAL.-OLE	CERRADO
TAPA FINAL - OLE	CERRADO CON ORIFICIO DE DRENADO

CLIENTE	DISTRIBUTION SERVICE
---------	----------------------

CARACTERISTICAS DE GEOMETRIA Y SIMBOLOS
 ▽ PLANICIDAD
 — RECTITUD
 < ANGULARIDAD
 ⊥ PERPENDICULARIDAD (A ESCUADRA)
 // PARALELISMO
 ○ REDONDEZ (CIRCULARIDAD)
 ∅ CILINDRICIDAD
 △ PERFIL DE CUALQUIER SUPERFICIE
 ∇ PERFIL DE CUALQUIER LINEA
 ↗ VARIACION
 ⊕ POSICION REAL
 ⊙ CONCENTRICIDAD
 = SIMETRIA
 ASME Y14.5M 1994

REGAL-BELOIT CORPORATION (RBC) PROVEE ASISTENCIA TECNICA A NUESTROS CLIENTES EN VARIAS AREAS, DESDE QUE RBC NO RECIBE TODOS LOS DATOS EN RELACION AL USO Y A LA APLICACION DEL MOTOR, LA APLICACION ADECUADA DEL MOTOR DEBE SER DETERMINADA POR EL CLIENTE.

DIMENSIONES SIN TOLERANCIA SON DE REFERENCIA SOLAMENTE

DIBUJADO POR: M.A.D 08-06-1992
 APROBADO POR: D.CORB 09-14-1995
 TERCER ANGULO DE PROYECCION
 CONFIDENCIAL: ESTE DIBUJO Y SU INFORMACION SON PROPIEDAD DE USO EXCLUSIVO Y CONFIDENCIAL DE REGAL-BELOIT CORPORATION. Y NO DEBERAN SER REVELADOS, DUPLICADOS, DISTRIBUIDOS O USARSE DE OTRA MANERA SIN EL CONSENTIMIENTO ESCRITO DE REGAL-BELOIT CORPORATION. -TODOS LOS DERECHOS RESERVADOS.



DESCRIPCION: MODEL-RFHP-48FR OUTLINE
 TAMAÑO: C NUMERO DE DIBUJO: 11760-017
 ESCALA: NONE HOJA: 1

4

3

2

1

4

3

2

1

总技术要求:

轴跳动: .001 [.03] (外伸轴)

端部窜动量: .010 - .063 [.25 - 1.60]

轴承: 含油轴承

安装位置: 全方向

电气数据:

过载保护: 自动复位 (T. I. 7AM 036)

引线: 18 GA., .06[1.5] 厚. PVC 105° C 绝缘

换向引线: 18 GA., .03[.8] 厚. 125° C 绝缘

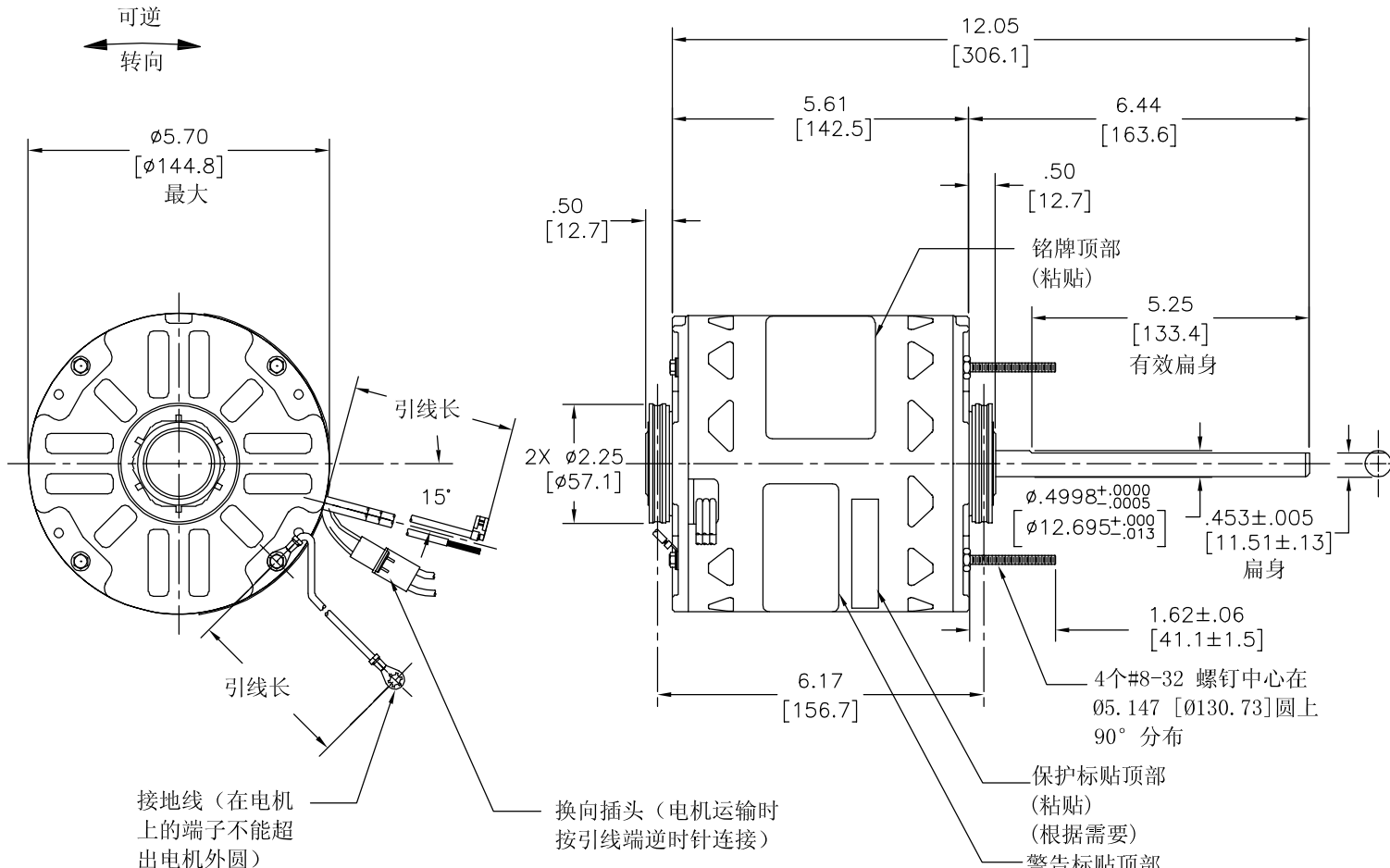
接地线: 18 GA., .03 [.8] 厚. (绿色) 绝缘

技术要求:

1. 每个电机附带4个卡环680198-001.
2. 分销客户编号:FDL1076.

GRAINGER编号:4MA74

见技术要求#2



绿色 (接地)	12.0/13.0 [305/330]	#10 金属圈
黑色/白色	3.0/5.0 [76/127]	换向插头
棕色	26.0/28.0 [660/711]	.25[6.4] 旗形插
棕色/白色	26.0/28.0 [660/711]	.25[6.4] 旗形插
黄色	26.0/28.0 [660/711]	.50[12.7] 剥线长
黑色	26.0/28.0 [660/711]	.50[12.7] 剥线长
蓝色	26.0/28.0 [660/711]	.50[12.7] 剥线长
红色	26.0/28.0 [660/711]	.50[12.7] 剥线长
颜色	长度	端子或剥线长度

无引线端机壳	开放
无引线端端盖	开放
有引线端机壳	开放
有引线端端盖	开放
开启方式	

用户	DISTRIBUTION SERVICE
----	----------------------

铭牌数据	外部连接详图
MODEL NO.: F48SQ6L34B1 CUST. P/N: [] HP: 3/4 ROT.: REVERSIBLE RPM: 1075/3 SPD. TYPE: UF FRAME: 48Y VOLTS: 115 PH: 1 AMPS: 9.8 (11.8 MAX) HZ: 60 INS.: B AMB.: 50°C DUTY: AIR OVER CAP.: 15 MFD/370V ENCL: OPEN UL LOGO CSA LOGO THERMALLY PROTECTED	<p>SEP. CAP.</p> <p>BROWN</p> <p>BROWN/W.</p> <p>YELLOW</p> <p>BLACK HI LINE</p> <p>BLUE MED</p> <p>RED LO</p> <p>ROTATION</p> <p>BLACK CCWLE</p> <p>WHITE CWLE</p> <p>BLACK WHITE</p> <p>WHITE BLACK</p> <p>614131-111</p>

性能曲线编号	转矩在1075RPM (25° C)	批准样品	UL部件	CSA
C30848	73.5 OZ. FT.	92AC239B	文件号 类别代码	文件号 指南
			E46412 PRGY2	LR43341 260-Ø-0

形位公差

- 平面度
- 直线度
- ∠ 倾斜度
- ⊥ 垂直度
- // 平行度
- 圆度
- ⊘ 圆柱度
- △ 面轮廓度
- ∩ 线轮廓度
- ∩ 圆跳动
- ⊕ 位置度
- ⊙ 同轴度
- ≡ 对称度

ASME Y14.5M 1994

REGAL-BELOIT CORPORATION (RBC) 在个别领域为客户提供技术支持。鉴于RBC未收到任何涉及电机使用和应用环境的数据, 电机的适用性由客户自己决定。

未注公差尺寸仅供参考。

绘图: M.A.D 08-06-1992

批准: D.CORB 09-14-1995

第三角投影

图纸格式发布日期 02-22-2008

图纸格式版本 G

机密: 本图纸及相关信息所有权归REGAL-BELOIT CORPORATION。未经REGAL-BELOIT CORPORATION书面授权, 不得泄露、复制、传播或作其他用途。一版权所有

名称: MODEL-RFHP-48FR OUTLINE

图幅: C 图号: 11760-017

比例: NONE 页号: 1

4

3

2

1