

GENERAL INFORMATION:

SHAFT RUNOUT: .001[.025] T. I. R. PER INCH LENGTH OF EXTENSION.

END PLAY: .010[.254] TO .063[1.600]

BEARINGS: SLEEVE

MOUNTING POSITION: HORIZONTAL

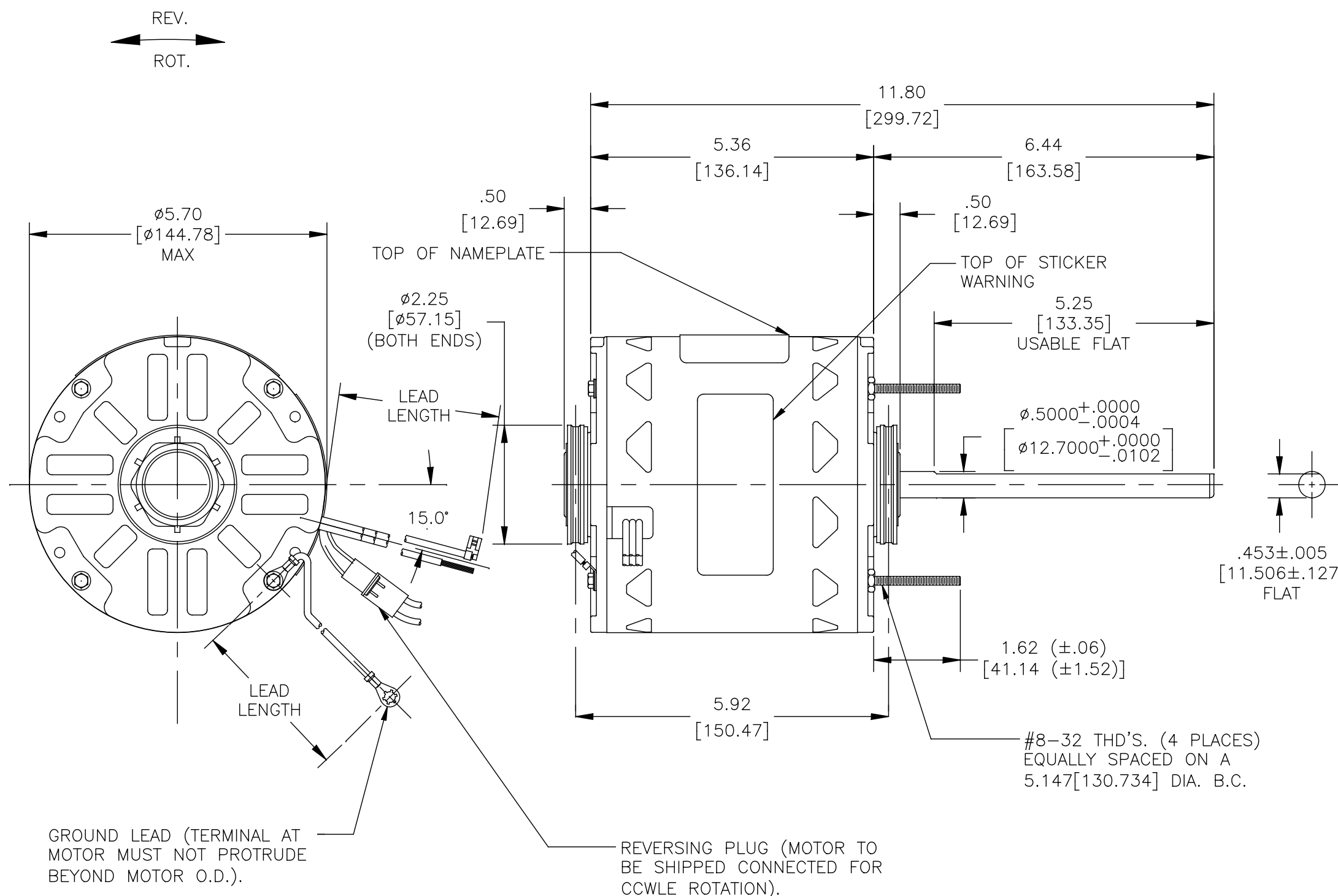
ELECTRICAL DATA:

OVERLOAD PROTECTOR: AUTOMATIC RESET (T. I. 7AM 036)

LEADS: No. 18 GA., .06[1.52] THK. PVC 105°C INSUL.

REVERSING LEADS: No. 18 GA., .03[.76] THK. 125°C INSUL.

GROUND LEAD: No. 18 GA., .03[.76] THK., (GREEN) INSUL.



-NOTE:
-SNAP RINGS 615035 (4 REQ'D.)
TO BE PACKED WITH EACH MOTOR

COLOR	LENGTH	TERMINAL OR STRIP LENGTH
GREEN(GRD)	12/13 [305/330]	#10 EYELET
BLACK/WHITE	3/5 [76/127]	REVERSING PLUG
BROWN	26/28 [660/711]	.25[6.35] FLAG
BROWN/WHITE	26/28 [660/711]	.25[6.35] FLAG
YELLOW	26/28 [660/711]	.50[12.7] SKIN
BLACK	26/28 [660/711]	.50[12.7] SKIN
BLUE	26/28 [660/711]	.50[12.7] SKIN
RED	26/28 [660/711]	.50[12.7] SKIN

REGAL-BELOIT CORPORATION (RBC) PROVIDES TECHNICAL ASSISTANCE TO OUR CUSTOMERS IN SEVERAL AREAS. SINCE RBC DOES NOT RECEIVE ALL DATA CONCERNING THE USE AND APPLICATION OF THE MOTOR, THE SUITABILITY OF THE MOTOR FOR THE APPLICATION MUST BE DETERMINED BY THE CUSTOMER.

DIMENSIONS WITHOUT TOLERANCES ARE FOR REFERENCE ONLY.

MAIN FRAME - OLE	OPEN
END FRAME - OLE	OPEN
MAIN FRAME - LE	OPEN
END FRAME - LE	OPEN

CUSTOMER	DISTRIBUTION SERVICE
----------	----------------------

NAMEPLATE DATA:	EXTERNAL CONNECTION DIAGRAM														
MODEL NO.: F48A31A01 CUST. P/N: 7FD1056 HP: 1/2 ROT.: REVERSIBLE RPM: 1075/3 SPD. TYPE: UF FRAME: 48Y VOLTS: 277 PH: 1 AMPS: 2.2 (3.2 MAX) HZ: 60 INS.: B AMB.: 50 ° C DUTY: AIR COVER CAP.: 10 MFD/370 V ENCL: OPEN CSA LOGO UL LOGO THERMALLY PROTECTED															
<table border="1"> <thead> <tr> <th>PERFORMANCE CURVE NO.</th> <th>TORQUE @ 1075 RPM (25°C)</th> <th>APPROVED SAMPLE</th> <th>UL COMPONENT FILE #</th> <th>GUIDE #</th> <th>CSA FILE #</th> <th>GUIDE #</th> </tr> </thead> <tbody> <tr> <td>C23313</td> <td>33.3 OZ. FT.</td> <td>EX11394</td> <td>E46412</td> <td>PRGY2</td> <td>LR43341</td> <td>260-Ø-0</td> </tr> </tbody> </table>	PERFORMANCE CURVE NO.	TORQUE @ 1075 RPM (25°C)	APPROVED SAMPLE	UL COMPONENT FILE #	GUIDE #	CSA FILE #	GUIDE #	C23313	33.3 OZ. FT.	EX11394	E46412	PRGY2	LR43341	260-Ø-0	614131-111
PERFORMANCE CURVE NO.	TORQUE @ 1075 RPM (25°C)	APPROVED SAMPLE	UL COMPONENT FILE #	GUIDE #	CSA FILE #	GUIDE #									
C23313	33.3 OZ. FT.	EX11394	E46412	PRGY2	LR43341	260-Ø-0									

DRAWING REVISION A	REVISION BY B.JI	DATE 09-21-2016
ECO-0109612	APPROVED BY C.ZHOU	DATE 09-21-2016
ECO DESCRIPTION NEW DRAWING		

DRAWN BY: B.JI	DATE: 09-21-2016
APPROVED BY: C.ZHOU	DATE: 09-21-2016
REFERENCE	

Regal Beloit America, Inc.	
DESCRIPTION MODEL-RFHP-48FR OUTLINE	
MATERIAL	PROCESS/FINISH
THIRD ANGLE PROJECTION	SIZE DWG NO 7FD1056
	SHEET 1

COPYRIGHT REGAL-BELOIT AMERICA, INC. ALL RIGHTS RESERVED. PROPRIETARY AND CONFIDENTIAL INFORMATION - THIS DOCUMENT IS THE PROPERTY OF REGAL-BELOIT AMERICA, INC. (OWNER) AND CONTAINS OWNER'S PROPRIETARY INFORMATION. ANY PERSON, CORPORATION OR OTHER FIRM RECEIVING IT IS DEEMED, BY RECEIVING IT, TO AGREE THAT IT, AND/OR ANY PART OF IT, SHALL NOT BE DISCLOSED TO ANY PERSON, CORPORATION OR OTHER ENTITY, DUPLICATED, AND/OR USED, EXCEPT AS EXPRESSLY APPROVED IN WRITING IN ADVANCE BY OWNER. THIS DOCUMENT SHALL BE RETURNED TO OWNER UPON REQUEST. IT MAY BE SUBJECT TO CERTAIN RESTRICTIONS UNDER APPLICABLE EXPORT CONTROL LAWS AND REGULATIONS.