

REV	ECO	REV BY	DATE	APPD	DATE
B	0025546	E.SINECIO	04-26-2012	R.RASCON	04-26-2012

GENERAL INFORMATION:

SHAFT RUNOUT: .001 [.03] T.I.R. PER INCH LENGTH OF EXTENSION

END PLAY: .010[.25] TO .063[1.60]

BEARINGS: SLEEVE

MOUNTING POSITION: HORIZONTAL

ELECTRICAL DATA:

OVERLOAD PROTECTOR: AUTOMATIC RESET (T.I. 7AM 032)

LEADS: NO. 18 GA., .06 [1.5] THK., PVC 105°C INSUL.

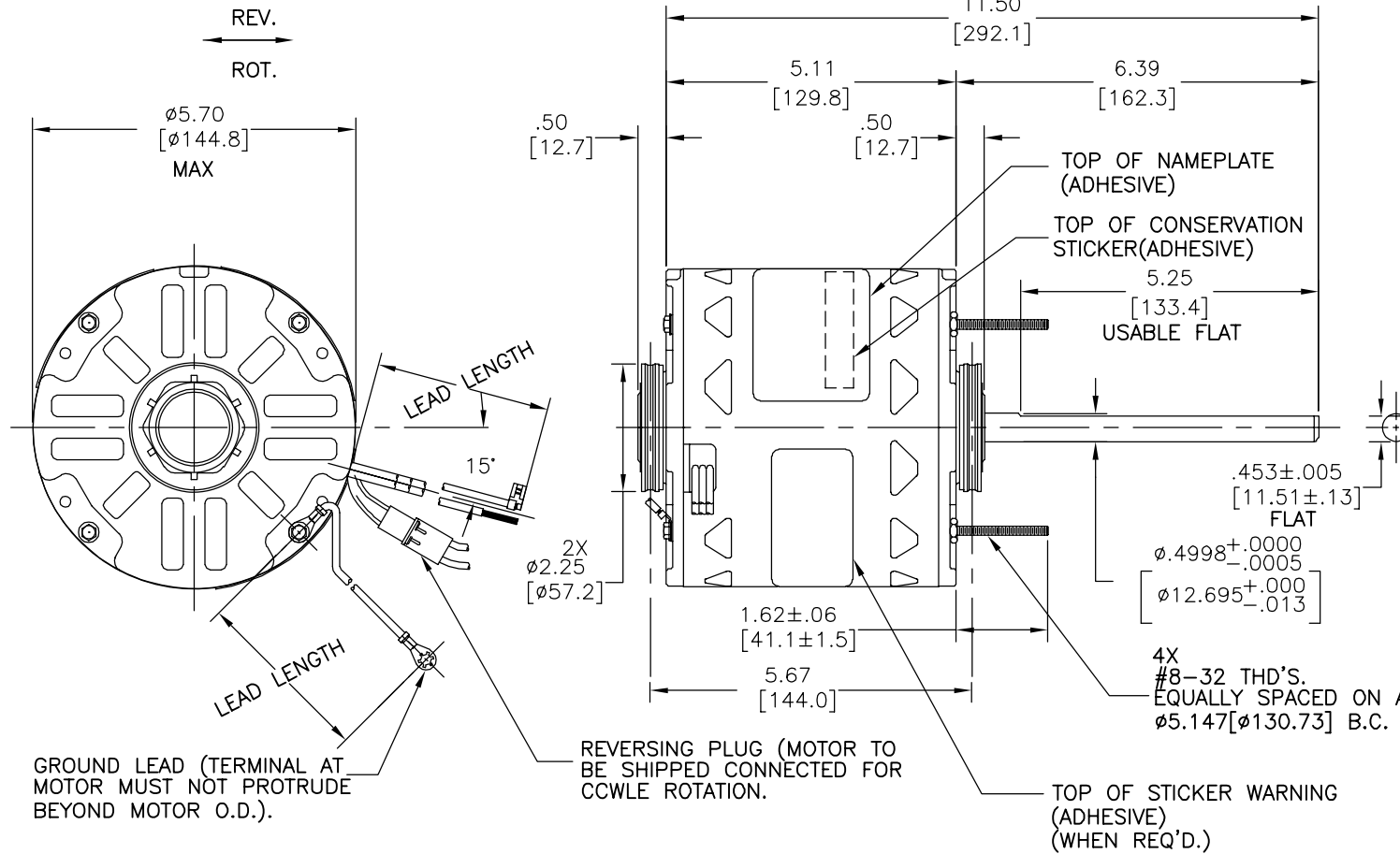
REVERSING LEADS: NO. 18 GA., .03 [.8] THK., 125°C INSUL

GROUND LEAD: NO. 18 GA., .03 [.8] THK., (GREEN) INSUL.

NOTE:

1. SNAP RINGS 615035 (4 REQ'D) TO BE PACKED WITH EACH MOTOR
2. DISTRIBUTION: CUST. P/N: FD1056
GRAINGER: CUST. P/N: 4MA72

SEE NOTE 2



GROUND LEAD (TERMINAL AT MOTOR MUST NOT PROTRUDE BEYOND MOTOR O.D.).

REVERSING PLUG (MOTOR TO BE SHIPPED CONNECTED FOR CCWLE ROTATION).

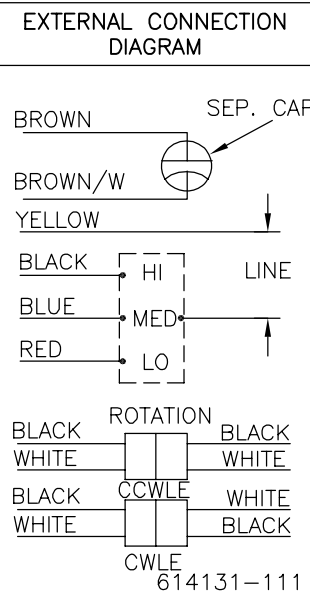
TOP OF STICKER WARNING (ADHESIVE) (WHEN REQ'D.)

GREEN(GRD)	12.0/13.0 [305/330]	#10 EYELET
BLACK/WHITE	3.0/5.0 [76/127]	REVERSING PLUG
BROWN	26.0/28.0 [660/711]	.25[6.4] FLAG
BROWN/WHITE	26.0/28.0 [660/711]	.25[6.4] FLAG
YELLOW	26.0/28.0 [660/711]	.50[12.7] SKIN
BLACK	26.0/28.0 [660/711]	.50[12.7] SKIN
BLUE	26.0/28.0 [660/711]	.50[12.7] SKIN
RED	26.0/28.0 [660/711]	.50[12.7] SKIN
COLOR	LENGTH	TERMINAL OR STRIP LENGTH

MAIN FR. - OLE	OPEN
END FR. - OLE	OPEN
MAIN FR. - LE	OPEN
END FR. - LE	OPEN

CUST	DISTRIBUTION SERVICES
------	-----------------------

NAMEPLATE DATA:
 MODEL NO: F48SP6L12
 CUST. P/N: []
 HP: 1/2
 ROT.: REVERSIBLE
 RPM: 1075/3 SPD
 TYPE: UF
 FRAME: 48Y
 VOLTS: 208-230
 PH: 1
 AMPS: 2.7 (3.4 MAX)
 HZ: 60
 INS.: A
 AMB: 50°C
 DUTY: AIR OVER
 CAP.: 7.5 MFD/370V
 ENCL: OPEN
 CSA LOGO
 UL LOGO
 THERMALLY PROTECTED



PERFORMANCE CURVE NO.	TORQUE @ 1075 RPM (25°C)	APPROVED SAMPLE	UL COMPONENT FILE #	GUIDE #	CSA FILE #	GUIDE #
C22952	50.4 OZ. FT.	EX11219-1	E46412	PRGY2	LR43341	260-0-0

GEOMETRIC CHARACTERISTICS & SYMBOLS
 □ FLATNESS
 — STRAIGHTNESS
 < ANGULARITY
 ⊥ PERPENDICULARITY (SQUARENESS)
 // PARALLELISM
 ○ ROUNDNESS (CIRCULARITY)
 ∅ CYLINDRICITY
 △ PROFILE OF ANY SURFACE
 ∩ PROFILE OF ANY LINE
 ∩ RUNOUT
 ⊕ TRUE POSITION
 ⊙ CONCENTRICITY
 = SYMMETRY

REGAL-BELOIT CORPORATION (RBC) PROVIDES TECHNICAL ASSISTANCE TO OUR CUSTOMERS IN SEVERAL AREAS. SINCE RBC DOES NOT RECEIVE ALL DATA CONCERNING THE USE AND APPLICATION OF THE MOTOR, THE SUITABILITY OF THE MOTOR FOR THE APPLICATION MUST BE DETERMINED BY THE CUSTOMER.

DIMENSIONS WITHOUT TOLERANCES ARE FOR REFERENCE ONLY.

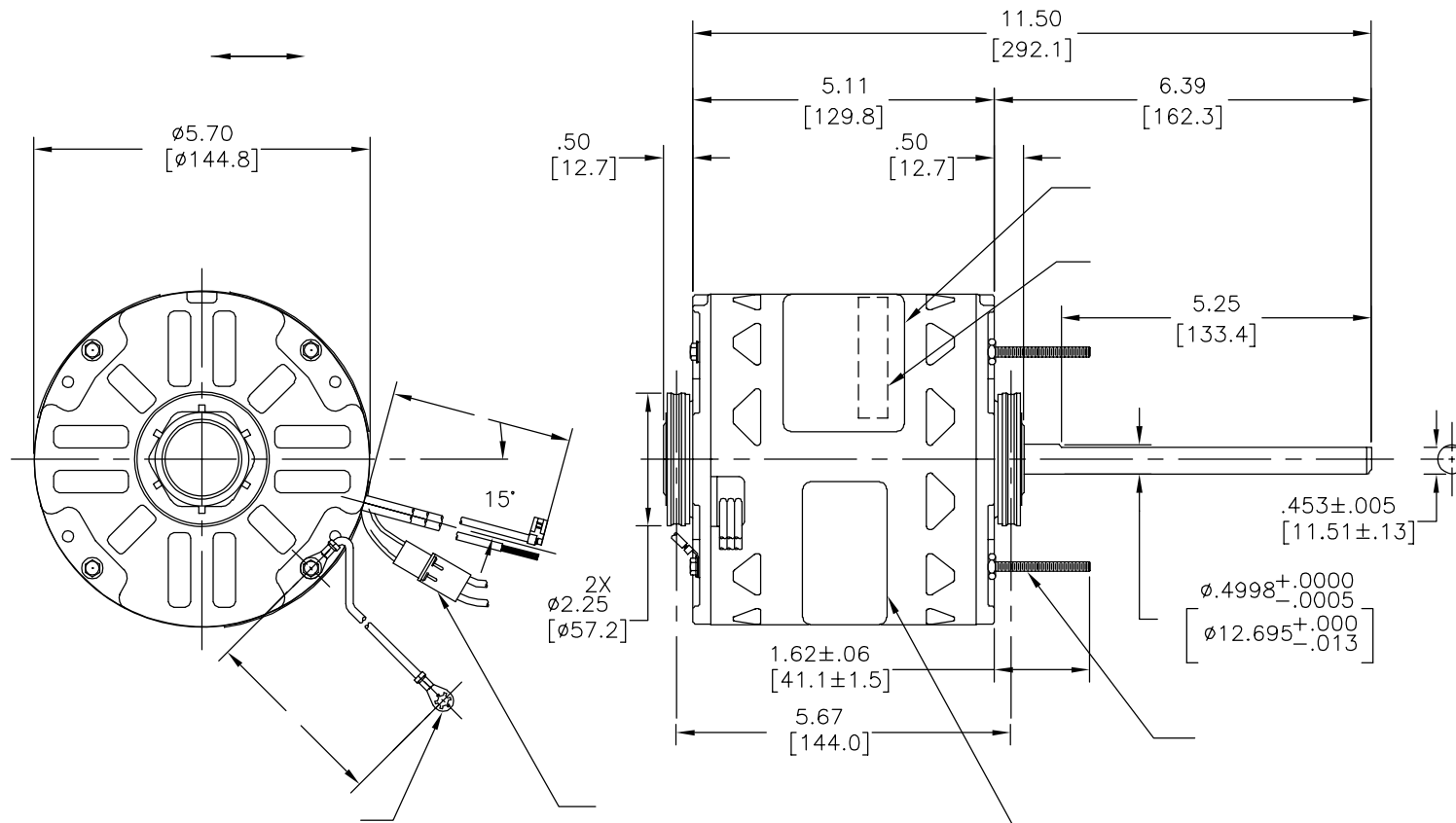
LEAD DATA

DR BY:	AL	04-08-2011
APPD:	TW	04-08-2011
THIRD ANGLE PROJECTION	⊕	EDS DATE 02-22-2008 FORMAT REV G
CONFIDENTIAL: THIS DRAWING AND ITS INFORMATION ARE THE EXCLUSIVE AND CONFIDENTIAL PROPERTY OF REGAL-BELOIT CORPORATION AND ARE NOT TO BE DISCLOSED, DUPLICATED, DISTRIBUTED OR OTHERWISE USED WITHOUT THE WRITTEN CONSENT OF REGAL-BELOIT CORPORATION. -ALL RIGHTS RESERVED.		



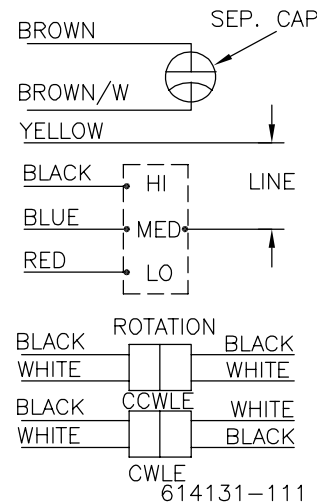
DESCRIPTION	
MODEL-RFHP-48FR OUTLINE	
SIZE C	DWG NO FD1056
SCALE NONE	SHEET 1

REVISION:	ECO	REVISADO POR:	FECHA:	APROBADO POR:	FECHA:
B	0025546	E.SINECIO	04-26-2012	R.RASCON	04-26-2012



VER NOTA

MODEL NO: F48SP6L12
 CUST. P/N: []
 HP: 1/2
 ROT.: REVERSIBLE
 RPM: 1075/3 SPD
 TYPE: UF
 FRAME: 48Y
 VOLTS: 208-230
 PH: 1
 AMPS: 2.7 (3.4 MAX)
 HZ: 60
 INS.: A
 AMB: 50°C
 DUTY: AIR OVER
 CAP.: 7.5 MFD/370V
 ENCL: OPEN
 CSA LOGO
 UL LOGO
 THERMALLY PROTECTED



614131-111

	12.0/13.0	
	[305/330]	
	3.0/5.0	
	[76/127]	
	26.0/28.0	
	[660/711]	
	26.0/28.0	
	[660/711]	
	26.0/28.0	
	[660/711]	
	26.0/28.0	
	[660/711]	
	26.0/28.0	
	[660/711]	

					CSA
C22952	50.4 OZ. FT.	EX11219-1	E46412	PRGY2	LR43341260-0-0

DISTRIBUTION SERVICES

CARACTERISTICAS DE GEOMETRIA Y SIMBOLOS
 □ PLANICIDAD
 — RECTITUD
 < ANGULARIDAD
 ⊥ PERPENDICULARIDAD (A ESCUADRA)
 // PARALELISMO
 ○ REDONDEZ (CIRCULARIDAD)
 ∅ CILINDRICIDAD
 △ PERFIL DE CUALQUIER SUPERFICIE
 ∩ PERFIL DE CUALQUIER LINEA
 ∩ VARIACION
 ⊕ POSICION REAL
 ⊙ CONCENTRICIDAD
 = SIMETRIA
 ASME Y14.5M 1994

REGAL-BELOIT CORPORATION (RBC)
 PROVEE ASISTENCIA TECNICA A
 NUESTROS CLIENTES EN VARIAS AREAS.
 DESDE QUE RBC NO RECIBE TODOS
 LOS DATOS EN RELACION AL USO Y A
 LA APLICACION DEL MOTOR, LA
 APLICACION ADECUADA DEL MOTOR
 DEBE SER DETERMINADA POR EL
 CLIENTE.

DIMENSIONES SIN TOLERANCIA SON
 DE REFERENCIA SOLAMENTE

DIBUJADO POR: AL 04-08-2011
 APROBADO POR: TW 04-08-2011
 TERCER ANGULO DE PROYECCION
 CONFIDENCIAL: ESTE DIBUJO Y SU INFORMACION SON PROPIEDAD DE USO EXCLUSIVO Y CONFIDENCIAL DE REGAL-BELOIT CORPORATION. Y NO DEBERAN SER REVELADOS, DUPLICADOS, DISTRIBUIDOS O USARSE DE OTRA MANERA SIN EL CONSENTIMIENTO ESCRITO DE REGAL-BELOIT CORPORATION. -TODOS LOS DERECHOS RESERVADOS.



DESCRIPCION: MODEL-RFHP-48FR OUTLINE
 TAMAÑO: C NUMERO DE DIBUJO: FD1056
 ESCALA: NONE HOJA: 1

4

3

2

1

版本	ECO	编制	日期	批准	日期
B	0025546	E.SINECIO	04-26-2012	R.RASCON	04-26-2012

总技术要求:

轴跳动: .001 [.03] (外伸轴)

端部窜动量: .010 - .063 [.25 - 1.60]

轴承: 含油轴承

安装位置: 水平方向

电气数据:

过载保护: 自动复位 (T.I. 7AM 032)

引线: 18 GA., .06[1.5] 厚. PVC 105° C 绝缘

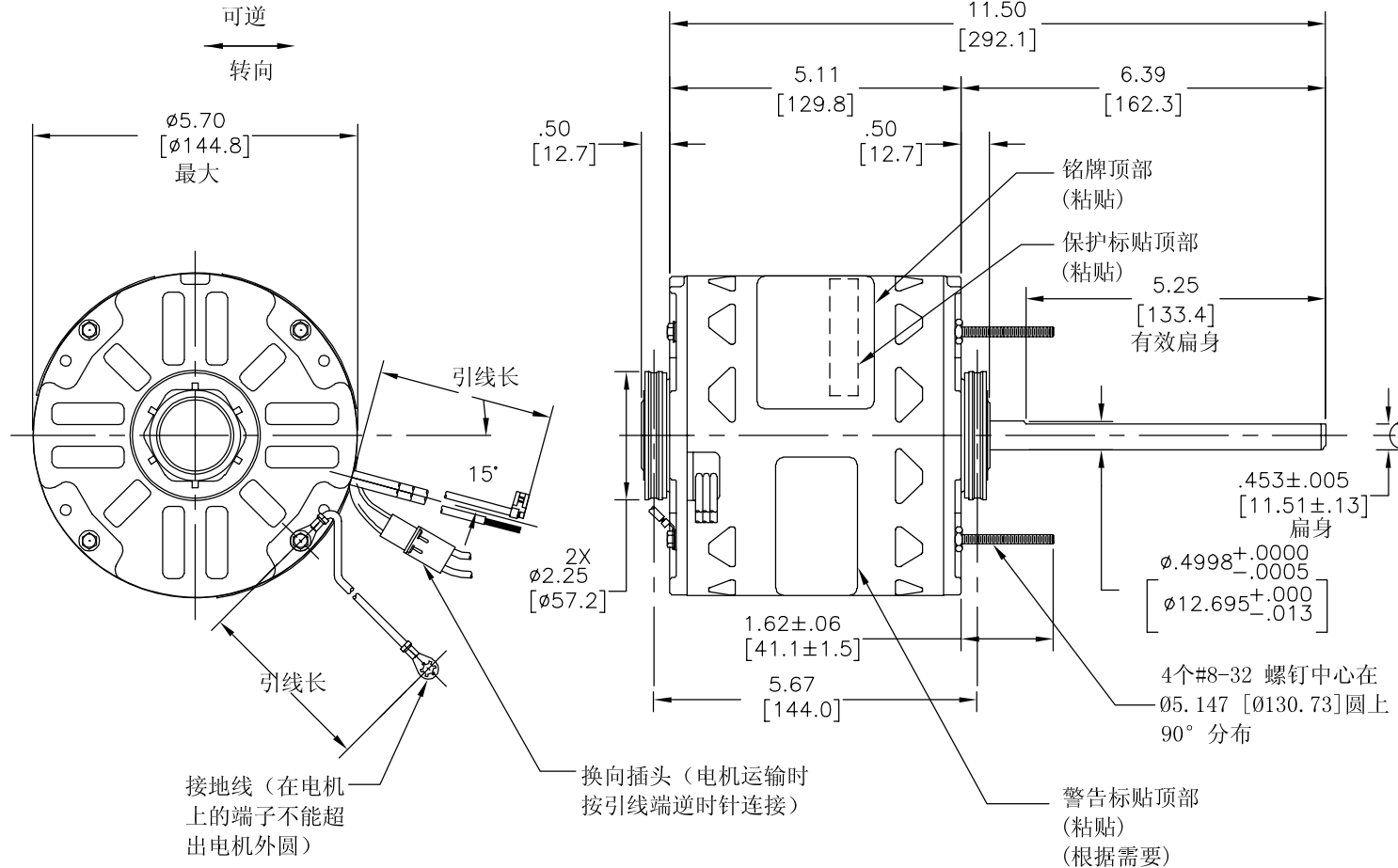
换向引线: 18 GA., .03[.8] 厚. 125° C 绝缘

接地线: 18 GA., .03 [.8] 厚. (绿色) 绝缘

技术要求:

- 每个电机附带4个卡环.
- 分销客户编号:FD1056. GRAINGER编号:4MA72

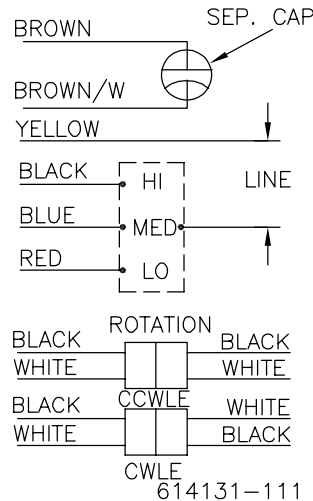
见技术要求#2



铭牌数据

外部连接详图

MODEL NO: F48SP6L12
 CUST. P/N: []
 HP: 1/2
 ROT.: REVERSIBLE
 RPM: 1075/3 SPD
 TYPE: UF
 FRAME: 48Y
 VOLTS: 208-230
 PH: 1
 AMPS: 2.7 (3.4 MAX)
 HZ: 60
 INS.: A
 AMB: 50°C
 DUTY: AIR OVER
 CAP.: 7.5 MFD/370V
 ENCL: OPEN
 CSA LOGO
 UL LOGO
 THERMALLY PROTECTED



绿色 (接地)	12.0/13.0 [305/330]	#10 金属圈
黑色/白色	3.0/5.0 [76/127]	换向插头
棕色	26.0/28.0 [660/711]	.25[6.4] 旗形插
棕色/白色	26.0/28.0 [660/711]	.25[6.4] 旗形插
黄色	26.0/28.0 [660/711]	.50[12.7] 剥线长
黑色	26.0/28.0 [660/711]	.50[12.7] 剥线长
蓝色	26.0/28.0 [660/711]	.50[12.7] 剥线长
红色	26.0/28.0 [660/711]	.50[12.7] 剥线长
颜色	长度	端子或剥线长度

无引线端机壳	开放
无引线端端盖	开放
有引线端机壳	开放
有引线端端盖	开放

用户	DISTRIBUTION SERVICES
----	-----------------------

性能曲线编号	转矩在1075RPM (25° C)	批准样品	UL部件		CSA	
			文件号	类别代码	文件号	指南
C22952	50.4 OZ. FT.	EX11219-1	E46412	PRGY2	LR43341	260-0-0

- 形位公差
- 平面度
- 直线度
- ∠ 倾斜度
- ⊥ 垂直度
- // 平行度
- 圆度
- ⊘ 圆柱度
- △ 面轮廓度
- ∩ 线轮廓度
- ↗ 圆跳动
- ⊕ 位置度
- ⊙ 同轴度
- ≡ 对称度

ASME Y14.5M 1994

REGAL-BELOIT CORPORATION (RBC) 在个别领域为客户提供技术支持。鉴于RBC未收到任何涉及电机使用和应用环境的数据, 电机的适用性由客户自己决定。

未注公差尺寸仅供参考。

绘图: AL 04-08-2011
 批准: TW 04-08-2011
 第三角投影
 机密: 本图纸及相关信息所有权归REGAL-BELOIT CORPORATION. 未经REGAL-BELOIT CORPORATION书面授权, 不得泄露、复制、传播或作其他用途。一版权所有

名称: REGAL-BELOIT CORPORATION
 MODEL-RFHP-48FR
 OUTLINE
 图幅: C 图号: FD1056
 比例: NONE 页号: 1

4

3

2

1