

GENERAL INFORMATION:

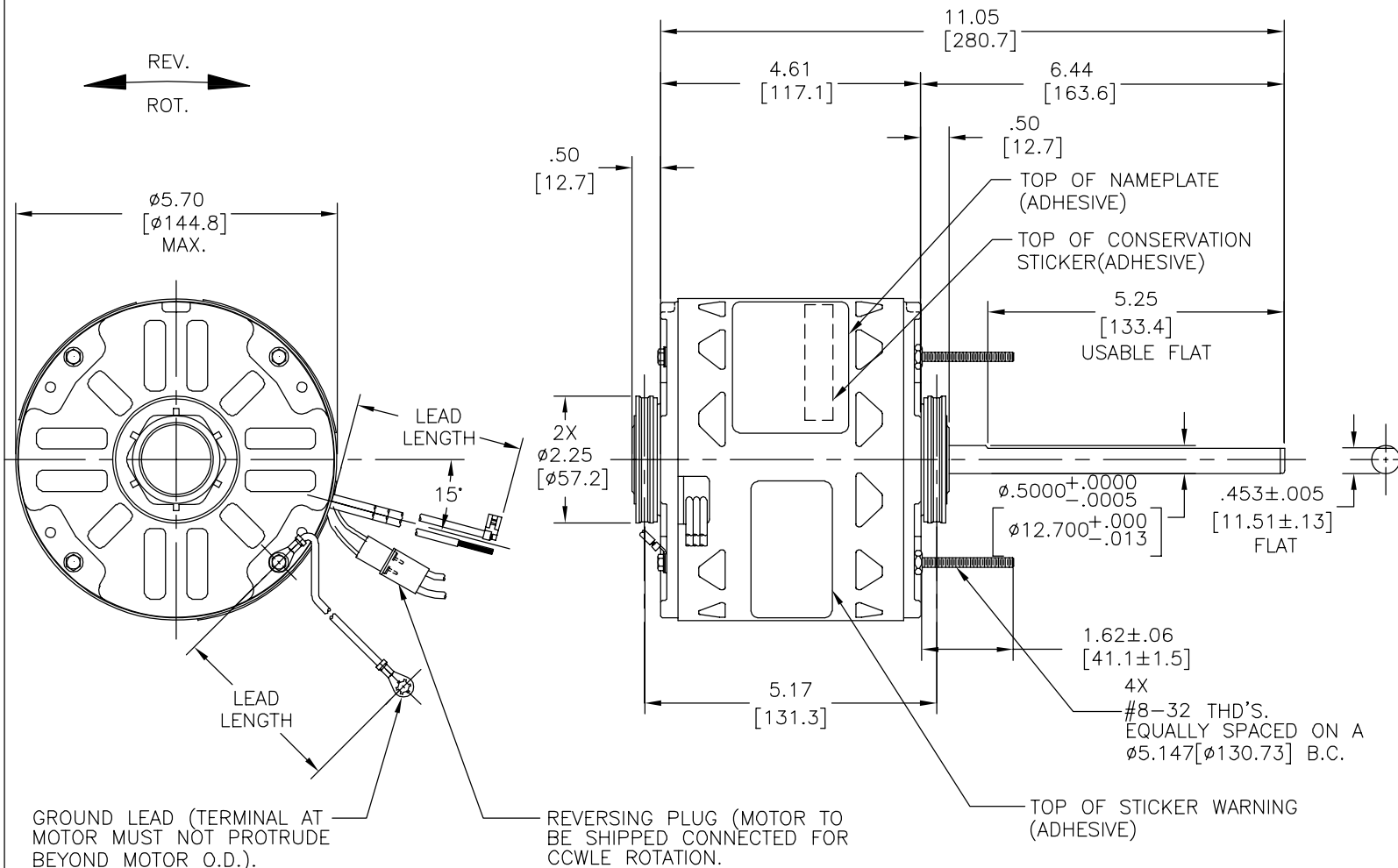
SHAFT RUNOUT: .001[.03] T.I.R. PER INCH LENGTH OF EXTENSION.
 END PLAY: .010[.25] TO .063[1.60]
 BEARINGS: SLEEVE
 MOUNTING POSITION: HORIZONTAL

ELECTRICAL DATA:

OVERLOAD PROTECTOR: AUTOMATIC RESET (SENSATA 7AM 032)
 LEADS: NO. 18 GA., .03[.8] THK. 125°C INSUL.
 REVERSING LEADS: NO. 18 GA., .03[.8] THK. 125°C INSUL.
 GROUND LEAD: NO. 18 GA., .03[.8] THK., (GREEN) INSUL.

NOTES:

1. SNAP RINGS 615035(4 REQ'D) TO BE PACKED WITH EACH MOTOR.



NAMEPLATE DATA:	EXTERNAL CONNECTION DIAGRAM
MODEL: F48SL6L15 CUST. P/N: FDL1036 HP: 1/3 ROT.: REVERSIBLE RPM: 1075/3 SPD. TYPE: UF FRAME: 48Y VOLTS: 115 PH: 1 AMPS: 5.9 HZ: 60 INS.: A AMB: 50 °C DUTY: AIR OVER CAP.: 7.5 MFD/370 V ENCL: OPEN CSA LOGO UL LOGO THERMALLY PROTECTED	<p>BROWN SEP. CAP. BROWN/W. </p> <p>YELLOW</p> <p>BLACK HI LINE BLUE MED RED LO</p> <p>ROTATION</p> <p>BLACK WHITE WHITE WHITE BLACK WHITE WHITE BLACK</p> <p>CCWLE CWLE</p> <p>614131-111</p>

LEAD DATA		
COLOR	LENGTH	TERMINAL OR STRIP LENGTH
RED	26.0/28.0 [660/711]	.50[12.7] SKIN
BLUE	26.0/28.0 [660/711]	.50[12.7] SKIN
BLACK	26.0/28.0 [660/711]	.50[12.7] SKIN
YELLOW	26.0/28.0 [660/711]	.50[12.7] SKIN
BROWN/WHITE	26.0/28.0 [660/711]	.25[6.4] FLAG
BROWN	26.0/28.0 [660/711]	.25[6.4] FLAG
BLACK/WHITE	3.0/5.0 [76/127]	REVERSING PLUG
GREEN(GRD)	12.0/13.0 [305/330]	#10 EYELET

REGAL-BELOIT CORPORATION (RBC) PROVIDES TECHNICAL ASSISTANCE TO OUR CUSTOMERS IN SEVERAL AREAS. SINCE RBC DOES NOT RECEIVE ALL DATA CONCERNING THE USE AND APPLICATION OF THE MOTOR, THE SUITABILITY OF THE MOTOR FOR THE APPLICATION MUST BE DETERMINED BY THE CUSTOMER.

DIMENSIONS WITHOUT TOLERANCES ARE FOR REFERENCE ONLY.

ENCLOSED	
END FR.-LE	OPEN
MAIN FR.-LE	OPEN
END FR.-OLE	OPEN
MAIN FR.-OLE	OPEN

PERFORMANCE CURVE NO.	TORQUE @1075 RPM (25°C)	APPROVED SAMPLE	UL COMPONENT FILE #	CCN #	CSA FILE #	CLASS #
C0000736	38.0 OZ. FT.	X-0003931	E46412	PRGY2	LR43341	4211-01

DRAWING REVISION: D	REVISION BY: G.ZHAO	DATE: 10-13-2014	Regal Beloit America, Inc.
ECO: 0061310	APPROVED BY: C.ZHANG	DATE: 10-13-2014	
ECO DESCRIPTION: CHANGE AMPS FROM 4.2 TO 5.9			DESCRIPTION: MODEL-RFHP-48FR OUTLINE
COPYRIGHT REGAL-BELOIT AMERICA, INC. ALL RIGHTS RESERVED. PROPRIETARY AND CONFIDENTIAL INFORMATION - THIS DOCUMENT IS THE PROPERTY OF REGAL-BELOIT AMERICA, INC. (OWNER) AND CONTAINS OWNER'S PROPRIETARY INFORMATION. ANY PERSON, CORPORATION OR OTHER FIRM RECEIVING IT IS DEEMED, BY RECEIVING IT, TO AGREE THAT IT, AND/OR ANY PART OF IT, SHALL NOT BE DISCLOSED TO ANY PERSON, CORPORATION OR OTHER ENTITY, DUPLICATED, AND/OR USED, EXCEPT AS EXPRESSLY APPROVED IN WRITING IN ADVANCE BY OWNER. THIS DOCUMENT SHALL BE RETURNED TO OWNER UPON REQUEST. IT MAY BE SUBJECT TO CERTAIN RESTRICTIONS UNDER APPLICABLE EXPORT CONTROL LAWS AND REGULATIONS.			
DRAWN BY: J. ZHU DATE: 12-10-2012 APPROVED BY: B. SHEN DATE: 12-10-2012 PROCESS/FINISH:		SIZE DWG NO: C FDL1036	SHEET: 1