

GENERAL INFORMATION:

SHAFT RUNOUT: .001[.03] T.I.R. PER INCH LENGTH OF EXTENSION.

END PLAY: .010[.03] TO .063[1.60]

BEARINGS: SLEEVE

MOUNTING POSITION: HORIZONTAL

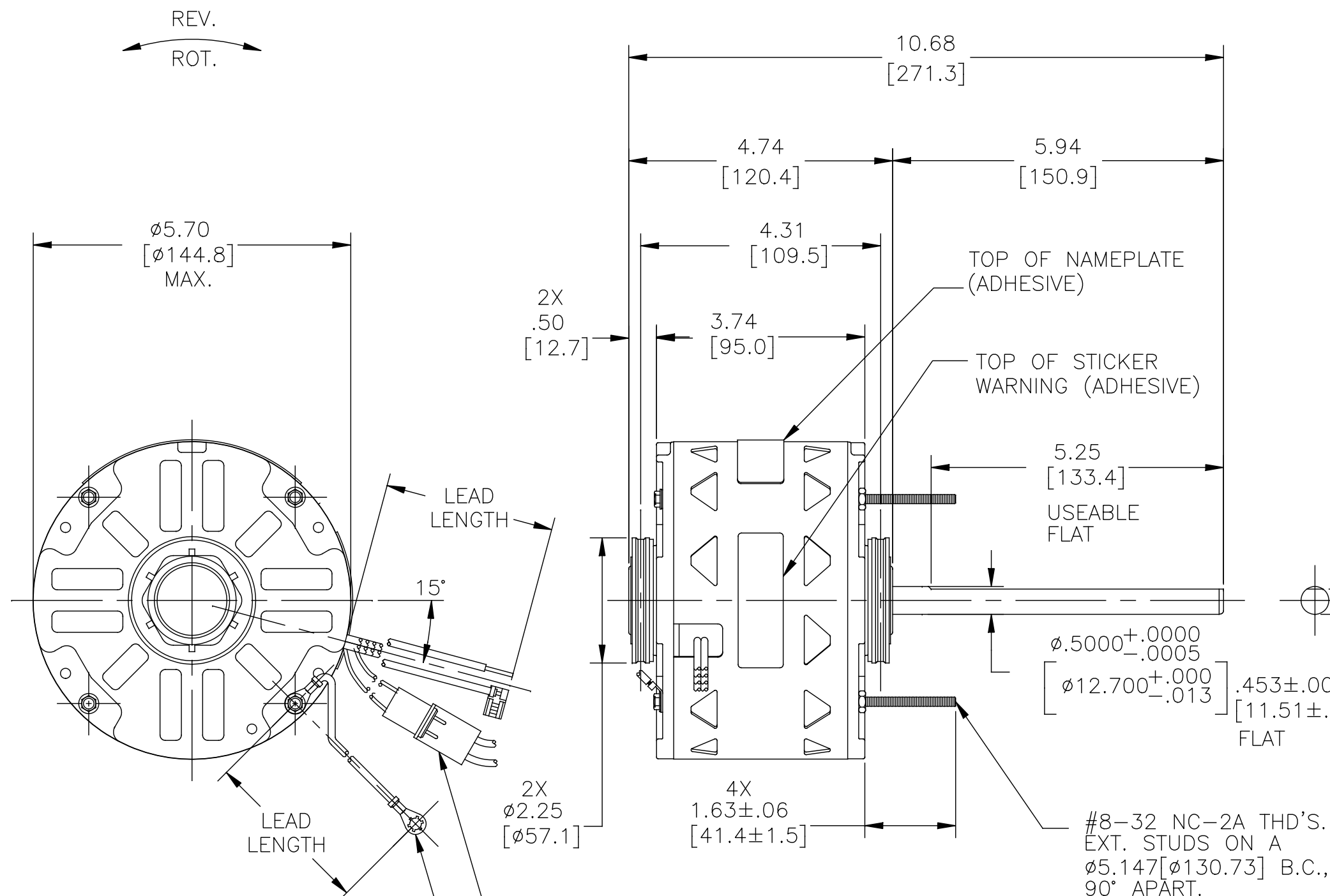
ELECTRICAL DATA:

OVERLOAD PROTECTOR: AUTOMATIC RESET (T.I. 7AM 036)

LEADS: NO. 18 GA., .06[1.5] THK., PVC 105°C INSUL.

REVERSING LEADS: NO. 18 GA., .03[.8] THK., XLP 125°C INSUL.

GROUND LEAD: NO. 18 GA., .03[.8] THK., (GREEN) INSUL.



GROUND LEAD (TERMINAL AT MOTOR MUST NOT PROTRUDE BEYOND MOTOR O.D.)

REVERSING PLUG (MOTOR TO BE SHIPPED CONNECTED FOR CCWLE ROTATION).

NOTE:

- THE FOLLOWING PARTS TO BE PACKED IN A POLYBAG WITH EACH MOTOR.  
(4) RING SPLIT ADAPTORS

GREEN(GRD)	12.0/13.0 [305/330]	#10 EYELET
BLACK/WHITE	3.0/5.0 [76/127]	REVERSING PLUG
BROWN	26.0/28.0 [660/711]	.25[6.4] FLAG
BROWN/WHITE	26.0/28.0 [660/711]	.25[6.4] FLAG
YELLOW	26.0/28.0 [660/711]	.50[12.7] SKIN
BLACK	26.0/28.0 [660/711]	.50[12.7] SKIN
BLUE	26.0/28.0 [660/711]	.50[12.7] SKIN
RED	26.0/28.0 [660/711]	.50[12.7] SKIN
COLOR	LENGTH	TERMINAL OR STRIP LENGTH

REGAL-BELOIT CORPORATION (RBC) PROVIDES TECHNICAL ASSISTANCE TO OUR CUSTOMERS IN SEVERAL AREAS. SINCE RBC DOES NOT RECEIVE ALL DATA CONCERNING THE USE AND APPLICATION OF THE MOTOR, THE SUITABILITY OF THE MOTOR FOR THE APPLICATION MUST BE DETERMINED BY THE CUSTOMER.

DIMENSIONS WITHOUT TOLERANCES ARE FOR REFERENCE ONLY.

MAIN FRAME - OLE	OPEN
END FRAME - OLE	OPEN
MAIN FRAME - LE	OPEN
END FRAME - LE	OPEN

CUSTOMER	DISTRIBUTION SERVICES
----------	-----------------------

NAMEPLATE DATA:	EXTERNAL CONNECTION DIAGRAM
MODEL NO.: F48A28A01 CUST. P/N: 7FD1016 HP: 1/6 ROT.: REVERSIBLE RPM: 1075/3 SPD TYPE: UF FRAME: 48Y VOLTS: 277 PH: 1 AMPS: 0.8 (0.9 MAX) HZ: 60 INS.: B AMB.: 50° C DUTY: AIR OVER CAP.: 5 MFD/370V ENCL: OPEN UL LOGO CSA LOGO THERMALLY PROTECTED	

PERFORMANCE CURVE NO.	TORQUE @ 1075 RPM (25°C)	APPROVED SAMPLE	UL COMPONENT FILE #	CCN #	CSA FILE #	CLASS #
C24631	14.4 OZ. FT.	EX11390	E46412	PRGY2	LR43341	4211-01

DRAWING REVISION B	REVISION BY G.ZHAO	DATE 11-09-2016
ECO-0112684	APPROVED BY C.ZHOU	DATE 11-09-2016
ECO DESCRIPTION UPDATE LOGO		

COPYRIGHT REGAL-BELOIT AMERICA, INC. ALL RIGHTS RESERVED. PROPRIETARY AND CONFIDENTIAL INFORMATION - THIS DOCUMENT IS THE PROPERTY OF REGAL-BELOIT AMERICA, INC. (OWNER) AND CONTAINS OWNER'S PROPRIETARY INFORMATION. ANY PERSON, CORPORATION OR OTHER FIRM RECEIVING IT IS DEEMED, BY RECEIVING IT, TO AGREE THAT IT, AND/OR ANY PART OF IT, SHALL NOT BE DISCLOSED TO ANY PERSON, CORPORATION OR OTHER ENTITY, DUPLICATED, AND/OR USED, EXCEPT AS EXPRESSLY APPROVED IN WRITING IN ADVANCE BY OWNER. THIS DOCUMENT SHALL BE RETURNED TO OWNER UPON REQUEST. IT MAY BE SUBJECT TO CERTAIN RESTRICTIONS UNDER APPLICABLE EXPORT CONTROL LAWS AND REGULATIONS.

DRAWN BY: B.ZHAO	REGAL™ Regal Beloit America, Inc.	
DATE: 01-19-2012	DESCRIPTION: MODEL-RFHP-48FR OUTLINE	
APPROVED BY: B.SHEN	MATERIAL: -	PROCESS/FINISH: -
DATE: 01-19-2012	SIZE: C	DWG NO: 7FD1016
REFERENCE: -	SHEET: 1	