

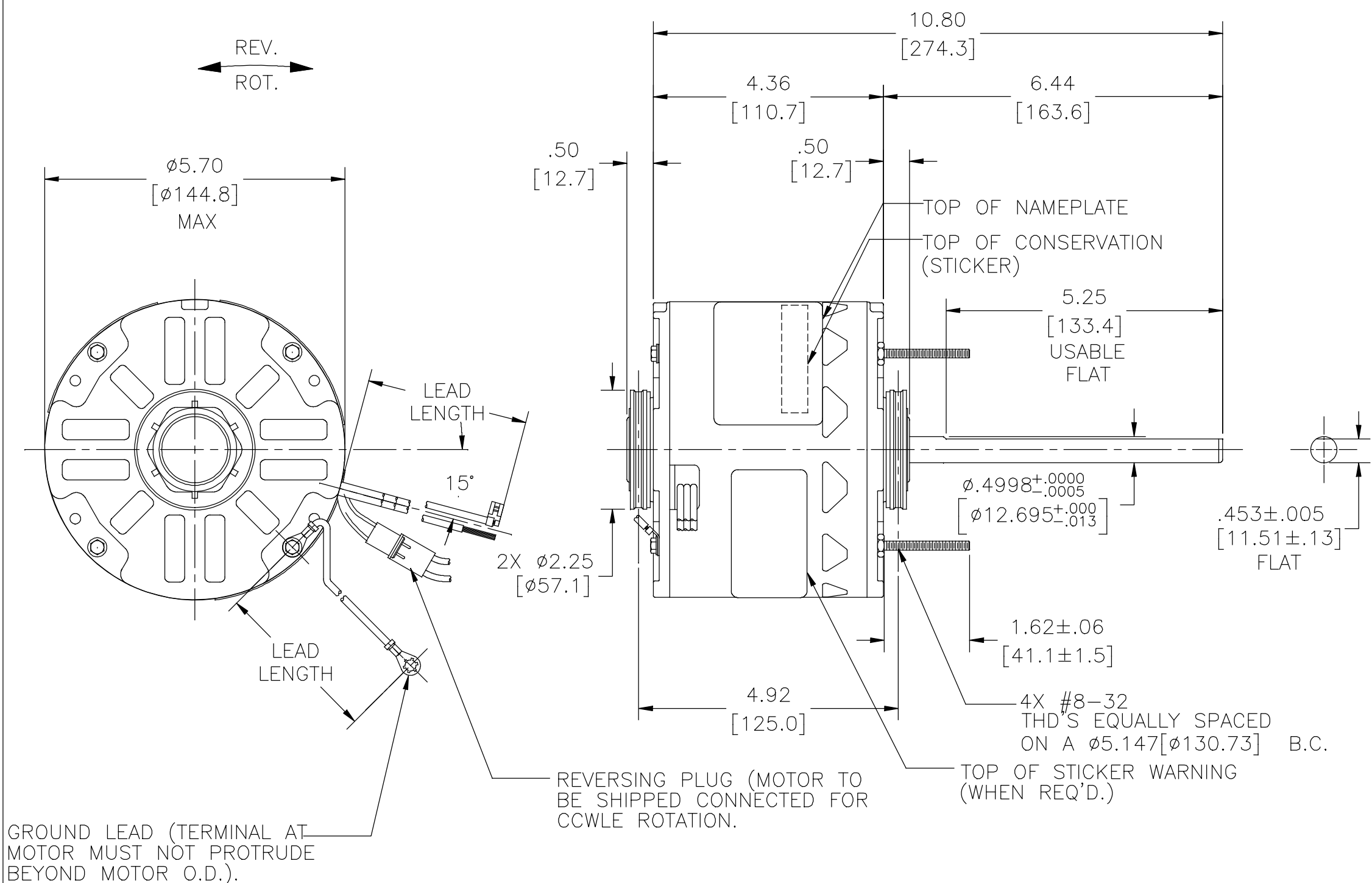
GENERAL INFORMATION:

SHAFT RUNOUT: .001 [.03] T.I.R. PER INCH LENGTH OF EXTENSION
 END PLAY: .010[.25] TO .063[1.60]
 BEARINGS: SLEEVE
 MOUNTING POSITION: ALL ANGLE

ELECTRICAL DATA:

OVERLOAD PROTECTOR: AUTOMATIC RESET (T.I. 7AM 032)
 LEADS: NO. 18 GA., .06 [1.5] THK., 125°C INSUL.
 REVERSING LEADS: NO. 18 GA., .03 [.8] THK. 125°C INSUL.
 GROUND LEAD: NO. 18 GA., .03 [.8] THK., (GREEN) INSUL.

NOTE:
 1. 4X SNAP RINGS 615035 TO BE PACKED WITH EACH MOTOR
 2. DISTRIBUTION: CUST. P/N: FDL1024
 GRAINGER: CUST. P/N: 4MA80



SEE NOTE 2

NAMEPLATE DATA:	EXTERNAL CONNECTION DIAGRAM
MODEL NO.: F48SG4L7 CUST. P/N: [] HP: 1/4 ROT.: REVERSIBLE RPM: 1625/3 SPD TYPE: UF FRAME: 48Y VOLTS: 115 PH: 1 AMPS: 3.0 (5.0 MAX) HZ: 60 INS.: A AMB.: 40°C DUTY: AIR OVER CAP.: 10 MFD/370V ENCL: OPEN UL LOGO CSA LOGO THERMALLY PROTECTED	SEP. CAP. BROWN BROWN/W. YELLOW BLACK BLUE RED ROTATION BLACK WHITE BLACK WHITE CCWLE CWLE

614131-111

GREEN(GRD)	11.0/13.0 [279/330]	#10 EYELET
BLACK/WHITE	3.0/6.0 [76/152]	REPEVING PLUG
BROWN	26.0/28.0 [660/711]	.25 [6.4] FLAG
BROWN/WHITE	26.0/28.0 [660/711]	.25 [6.4] FLAG
YELLOW	26.0/28.0 [660/711]	.50 [15.2] SKIN
BLACK	26.0/28.0 [660/711]	.50 [15.2] SKIN
BLUE	26.0/28.0 [660/711]	.50 [15.2] SKIN
RED	26.0/28.0 [660/711]	.50 [15.2] SKIN
COLOR	LENGTH	TERMINAL OR STRIP LENGTH

REGAL-BELOIT CORPORATION (RBC) PROVIDES TECHNICAL ASSISTANCE TO OUR CUSTOMERS IN SEVERAL AREAS. SINCE RBC DOES NOT RECEIVE ALL DATA CONCERNING THE USE AND APPLICATION OF THE MOTOR, THE SUITABILITY OF THE MOTOR FOR THE APPLICATION MUST BE DETERMINED BY THE CUSTOMER.

DIMENSIONS WITHOUT TOLERANCES ARE FOR REFERENCE ONLY.

MAIN FRAME - OLE	OPEN
END FRAME - OLE	OPEN
MAIN FRAME - LE	OPEN
END FRAME - LE	OPEN

CUSTOMER	DISTRIBUTION SERVICE
----------	----------------------

PERFORMANCE CURVE NO.	TORQUE @ 1625 RPM (25°C)	APPROVED SAMPLE	UL COMPONENT FILE #	CCN #	CSA FILE #	CLASS #
C23331	19.0 OZ. FT.	EX11395	E46412	PRGY2	LR43341	4211-01

DRAWING REVISION F	REVISION BY CADDIE.ZHOU	DATE 08-06-2018
ECO-0150127	APPROVED BY DEXIAN.LI	DATE 08-06-2018
ECO DESCRIPTION CHANGE GREEN(GRD) LENGTH FROM 12.0/7.0 TO 11.0/13.0		

COPYRIGHT REGAL BELOIT AMERICA, INC. ALL RIGHTS RESERVED. PROPRIETARY AND CONFIDENTIAL INFORMATION - THIS DOCUMENT IS THE PROPERTY OF REGAL BELOIT AMERICA, INC. (OWNER) AND CONTAINS OWNER'S PROPRIETARY INFORMATION. ANY PERSON, CORPORATION OR OTHER FIRM RECEIVING IT IS DEEMED, BY RECEIVING IT, TO AGREE THAT IT, AND/OR ANY PART OF IT, SHALL NOT BE DISCLOSED TO ANY PERSON, CORPORATION OR OTHER ENTITY, DUPLICATED, AND/OR USED, EXCEPT AS EXPRESSLY APPROVED IN WRITING IN ADVANCE BY OWNER. THIS DOCUMENT SHALL BE RETURNED TO OWNER UPON REQUEST. IT MAY BE SUBJECT TO CERTAIN RESTRICTIONS UNDER APPLICABLE EXPORT CONTROL LAWS AND REGULATIONS.

DRAWN BY: R.RHODUS	DATE: 03-04-1994	Regal Beloit America, Inc.
APPROVED BY: T.RILE	DATE: 03-07-1994	
PROCESS/FINISH	MATERIAL	DESCRIPTION: MODEL-RFHP-48FR OUTLINE
THIRD ANGLE PROJECTION	SIZE DWG NO: C 11760-029	SHEET: 1