

GENERAL INFORMATION:

SHAFT RUNOUT: .001[.03] T.I.R. PER INCH LENGTH OF EXTENSION

END PLAY: .010[.25] TO .063[1.60]

BEARINGS: SLEEVE

MOUNTING POSITION: ALL ANGLE

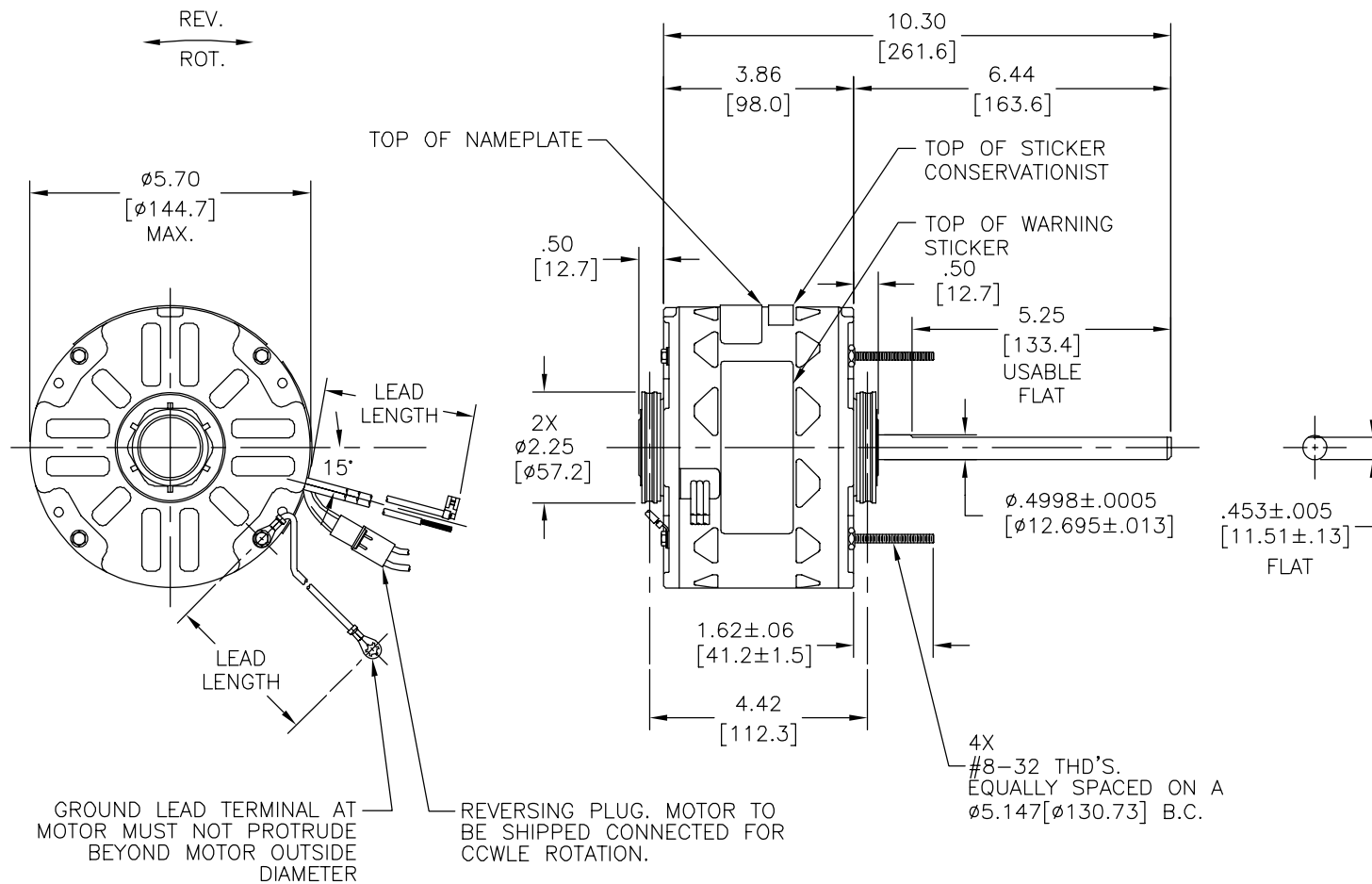
ELECTRICAL DATA:

OVERLOAD PROTECTOR: AUTOMATIC RESET (T.I. 7AM 036)

LEADS: NO. 18 GA., .06[1.5] THK., PVC 105°C INSUL.

REVERSING LEADS: NO. 18 GA., .03[.8] THK., 125°C INSUL.

GROUND LEAD: NO. 18 GA., .03[.8] THK., (GREEN) INSUL.



LEAD DATA		
COLOR	LENGTH	TERMINAL OR STRIP LENGTH
RED	26/28 [660/711]	.50[12.7] SKIN
BLUE	26/28 [660/711]	.50[12.7] SKIN
BLACK	26/28 [660/711]	.50[12.7] SKIN
YELLOW	26/28 [660/711]	.50[12.7] SKIN
BROWN	26/28 [660/711]	.25[6.4] FLAG
BROWN	26/28 [660/711]	.25[6.4] FLAG
BLACK/WHITE	3/5 [76/127]	REVERSING PLUG
GREEN(GRD)	12/13 [305/330]	#10 EYELET

NOTES:  
1. SNAP RINGS 615035, 4 REQUIRED, TO BE PACKED WITH EACH MOTOR

REGAL-BELOIT CORPORATION (RBC) PROVIDES TECHNICAL ASSISTANCE TO OUR CUSTOMERS IN SEVERAL AREAS. SINCE RBC DOES NOT RECEIVE ALL DATA CONCERNING THE USE AND APPLICATION OF THE MOTOR, THE SUITABILITY OF THE MOTOR FOR THE APPLICATION MUST BE DETERMINED BY THE CUSTOMER.

DIMENSIONS WITHOUT TOLERANCES ARE FOR REFERENCE ONLY.

NAMEPLATE DATA:	EXTERNAL CONNECTION DIAGRAM
MODEL NO: F48J97A01 CUST. P/N: FDL1016 HP: 1/6 ROT.: REVERSIBLE RPM: 1075/3 SPD. TYPE: UF FRAME: 48Y VOLTS: 115 PH: 1 AMPS: 3.2 HZ: 60 INS.: B AMB: 50°C DUTY: AIR OVER CAP.: 7.5 MFD/370V ENCL: OPEN CSA LOGO UL LOGO THERMALLY PROTECTED	

PERFORMANCE CURVE NO.	TORQUE @1075 RPM (25°C)	APPROVED SAMPLE	UL COMPONENT		CSA	
			FILE #	GUIDE #	FILE #	GUIDE #
C31506	21.0 OZ. FT.	97AC362B	E46412	PRGY2	LR43341	260-0-0

ENCLOSURE	
END FRAME - LE	OPEN
MAIN FRAME - LE	OPEN
END FRAME - OLE	OPEN
MAIN FRAME - OLE	OPEN

CUSTOMER	DISTRIBUTION SERVICES

DRAWING REVISION	REVISION BY	DATE
A	J. COX	11-20-2013
ECO	APPROVED BY	DATE
ECO-0041020	C. McREYNOLDS	11-20-2013
ECO DESCRIPTION		
CHANGE AMPS		

DRAWN BY: J. RUPERT	Regal Beloit America, Inc.
DATE: 05-03-1991	
APPROVED BY: M.FRE	DESCRIPTION MODEL-RFHP-48FR OUTLINE
DATE: 02-05-1992	MATERIAL
PROCESS/FINISH	SIZE DWG NO C FDL1016
THIRD ANGLE PROJECTION	SHEET 1

COPYRIGHT REGAL-BELOIT CORPORATION. ALL RIGHTS RESERVED. PROPRIETARY AND CONFIDENTIAL INFORMATION - THIS DOCUMENT IS THE PROPERTY OF REGAL-BELOIT CORPORATION AND CONTAINS OWNERS PROPRIETARY INFORMATION. ANY PERSON, CORPORATION OR OTHER FIRM RECEIVING IT IS DEEMED, BY RECEIVING IT, TO AGREE THAT IT, AND/OR ANY PART OF IT, SHALL NOT BE DISCLOSED TO ANY PERSON, CORPORATION OR OTHER ENTITY, DUPLICATED, AND/OR USED, EXCEPT AS EXPRESSLY APPROVED IN WRITING IN ADVANCE BY OWNER. THIS DOCUMENT SHALL BE RETURNED TO OWNER UPON REQUEST. IT MAY BE SUBJECT TO CERTAIN RESTRICTIONS UNDER APPLICABLE EXPORT CONTROL LAWS AND REGULATIONS.