

4

3

2

1

总技术要求:

轴跳动:

轴承:

安装位置:

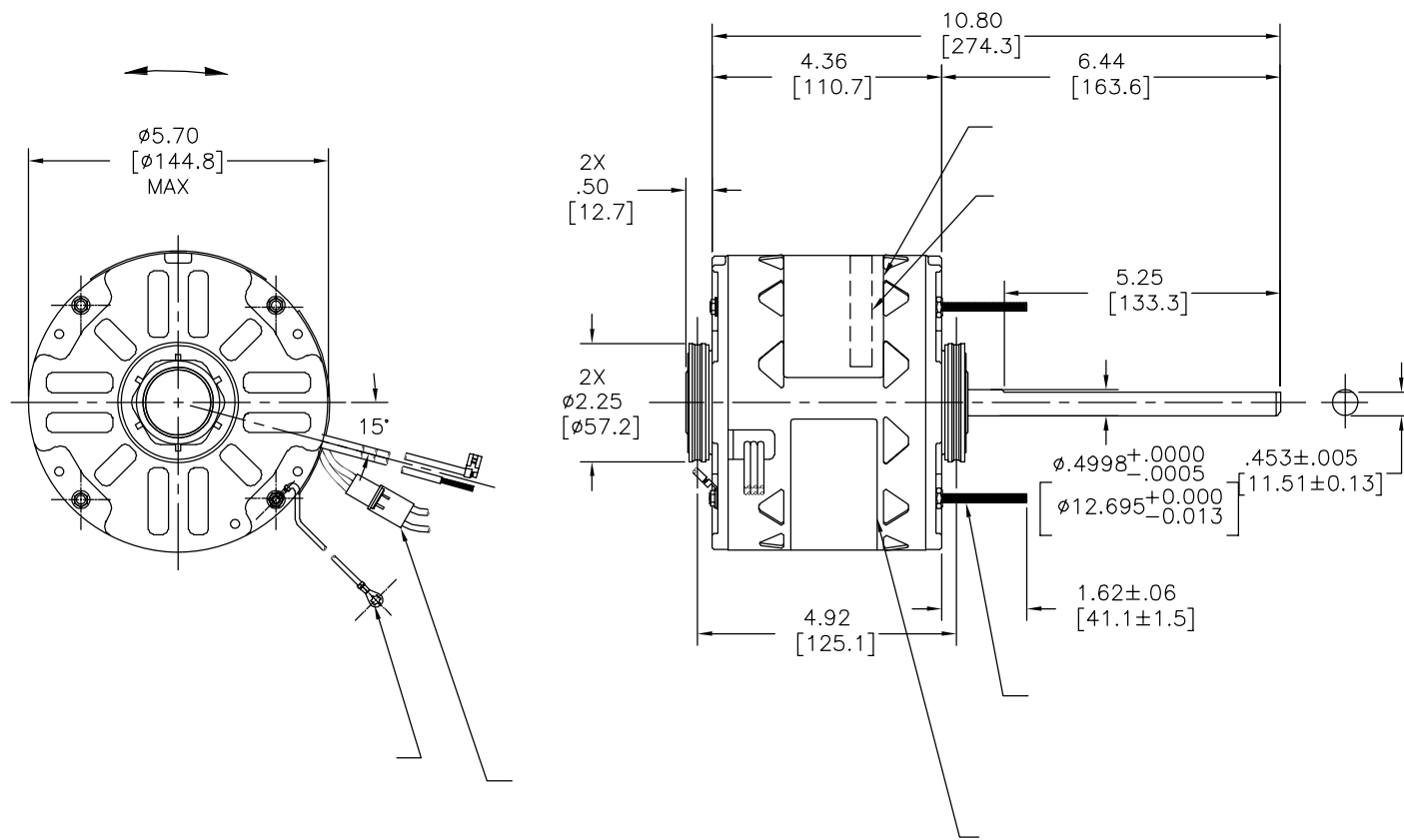
电气数据:

过载保护:

引线:

接地线:

版本	ECO	编制	日期	批准	日期
F	ECO-0037449	Y.LIU	08-27-2013	B.SHEN	08-27-2013



铭牌数据	外部数据线
MODEL NO.: F48SG4L8 CUST. P/N: [] HP: 1/4 ROT.: REVERSIBLE RPM: 1625/3 SPD. TYPE: UF FRAME: 48Y VOLTS: 208-230 PH: 1 AMPS: 1.8 (3.2 MAX) HZ: 60 INS.: A AMB.: 40° C DUTY: AIR OVER CAP.: 5 MFD/370V ENCL: OPEN UL LOGO CSA LOGO THERMALLY PROTECTED	SEP. CAP. BROWN BROWN/W YELLOW BLACK BLUE RED HI MED LO LINE ROTATION BLACK WHITE BLACK WHITE CCWLE WHITE CWLE BLACK WHITE BLACK
614131-111	

	12.0/13.0	
	[305/330]	
	3.0/5.0	
	[76/127]	
	26.0/28.0	
	[660/717]	
	26.0/28.0	
	[660/717]	
	26.0/28.0	
	[660/717]	
	26.0/28.0	
	[660/717]	
	26.0/28.0	
	[660/717]	
	26.0/28.0	
	[660/717]	

Model Overlay Name Number File Text
 K:\CAD\PSCS\MOTOUT\11760-117_01.D91PSCS_MOTOBSCG\MOTU\M9T08P4036 - DI

性能曲线编号	转矩在 @ --- RPM (25° C)	批准样品	UL 部件	CSA
C23332	20 OZ. FT.	EX11396	文件号 指南	文件号 指南
			E46412 PRGY2	LR43341 4211-01

颜色	长度	端子或剥线长度

无引线端机壳	
无引线端端盖	
有引线端机壳	
有引线端端盖	

密封性	用户	DISTRIBUTION SERVICES
-----	----	-----------------------

- 形位公差
- 平面度
- 直线度
- 倾斜度
- 垂直度
- 平行度
- 圆度
- 圆柱度
- 面轮廓度
- 线轮廓度
- 圆跳动
- 位置度
- 同轴度
- 对称度

ASME Y14.5M 1994

REGAL-BELOIT CORPORATION
 (RBC) 在个别领域为森户 XXXX
 提供技术支持。RBC
 每英寸平方涉及电机使用和
 应用环境的数据在电机的适用性
 由客户自己决定。
 表面粗糙度
 英制尺寸公差尺寸仅供参考。
 米制尺寸显示在 []

绘图:	R.RHODUS
批准:	
第二角投影	
图密: 本图纸及相关信息所有权归REGAL-BELOIT CORPORATION。未经REGAL-BELOIT CORPORATION书面授权, 不得泄露、复制、传播或作其他用途。--版权所有	

REGAL REGAL-BELOIT CORPORATION	
MODEL-RFHP-48FR OUTLINE	
图号	C
图号	11760-024
比例	NONE
页号	1

4

3

2

1

4

3

2

1

GENERAL INFORMATION:

SHAFT RUNOUT: .001 [.03] T.I.R. PER INCH LENGTH OF EXTENSION

END PLAY: .010 TO .063 [.25 TO 1.60]

BEARINGS: SLEEVE

MOUNTING POSITION: ALL ANGLE

ELECTRICAL DATA:

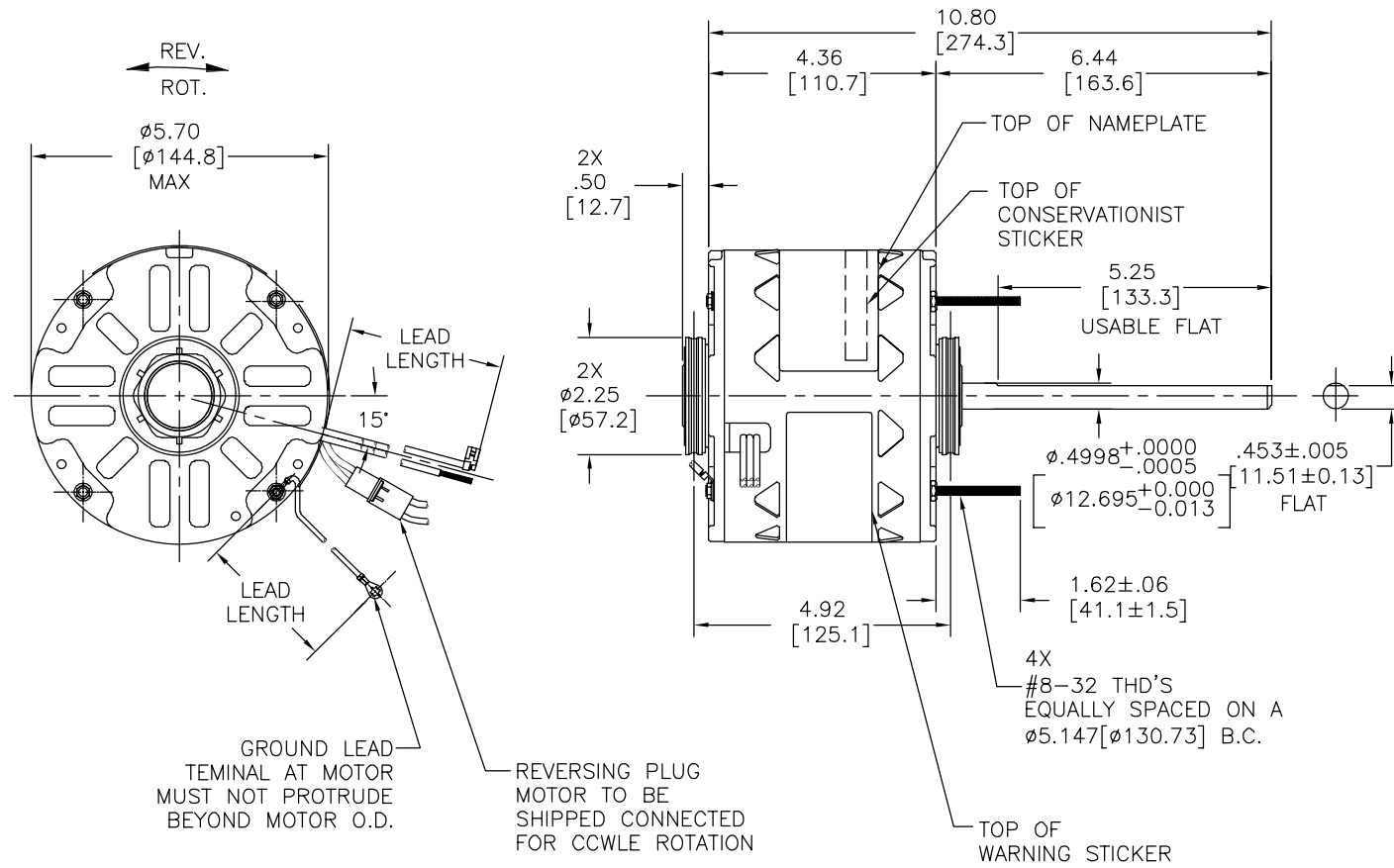
OVERLOAD PROTECTOR: AUTOMATIC RESET (T.I. 7AM 032)

LEADS: NO. 18 GA., .06 [1.5] THK. EPDM 125°C INSUL.

REVERSING LEADS: NO. 18 GA., .03 [.8] THK. XLP 125°C INSUL.

GROUND LEAD: NO. 18 GA., .03 [.8] THK. (GREEN) INSUL.

REV	ECO	REV BY	DATE	APPD	DATE
F	ECO-0037449	Y.LIU	08-27-2013	B.SHEN	08-27-2013



REV. ROT.

LEAD LENGTH

15°

LEAD LENGTH

GROUND LEAD TERMINAL AT MOTOR MUST NOT PROTRUDE BEYOND MOTOR O.D.

REVERSING PLUG MOTOR TO BE SHIPPED CONNECTED FOR CCWLE ROTATION

TOP OF WARNING STICKER

NAMEPLATE DATA:

EXTERNAL CONNECTION DIAGRAM

MODEL NO.: F48SG4L8

CUST. P/N: []

HP: 1/4

ROT.: REVERSIBLE

RPM: 1625/3 SPD.

TYPE: UF

FRAME: 48Y

VOLTS: 208-230

PH: 1

AMPS: 1.8 (3.2 MAX)

HZ: 60

INS.: A

AMB.: 40° C

DUTY: AIR OVER

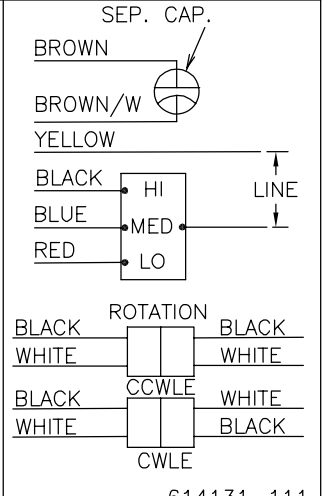
CAP.: 5 MFD/370V

ENCL: OPEN

UL LOGO

CSA LOGO

THERMALLY PROTECTED



614131-111

GREEN (GRD)	12.0/13.0 [305/330]	#10 EYELET
BLACK/WHITE	3.0/5.0 [76/127]	REVERSING PLUG
BROWN	26.0/28.0 [660/717]	.25[6.4] FLAG
BROWN/WHITE	26.0/28.0 [660/717]	.25[6.4] FLAG
YELLOW	26.0/28.0 [660/717]	.50[12.7] SKIN
BLACK	26.0/28.0 [660/717]	.50[12.7] SKIN
BLUE	26.0/28.0 [660/717]	.50[12.7] SKIN
RED	26.0/28.0 [660/717]	.50[12.7] SKIN
COLOR	LENGTH	TERMINAL OR STRIP LENGTH

Model Overlay Name: K:\CAD\PSCS\MOTOUT\11760-117_01.D91PSCS_MOTOBSC\MOTOR\MOTORP4036 - DI

- NOTES:
- SNAP RINGS 615035 4 REQUIRED TO BE PACKED WITH EACH MOTOR
 - DISTRIBUTION PART NUMBER: FD1024
GRAINGER PART NUMBER: 4MA82

MAIN FRAME - OLE	OPEN
END FRAME - OLE	OPEN
MAIN FRAME - LE	OPEN
END FRAME - LE	OPEN

CUSTOMER	DISTRIBUTION SERVICES
----------	-----------------------

PERFORMANCE CURVE NO.	TORQUE @1625 RPM (25°C)	APPROVED SAMPLE	UL COMPONENT FILE #	CCN #	CSA FILE #	CLASS #
C23332	20 OZ. FT.	EX11396	E46412	PRGY2	LR43341	4211-01

GEOMETRIC CHARACTERISTICS & SYMBOLS

- FLATNESS
- STRAIGHTNESS
- ANGULARITY
- PERPENDICULARITY (SQUARENESS)
- PARALLELISM
- ROUNDNESS (CIRCULARITY)
- CYLINDRICITY
- PROFILE OF ANY SURFACE
- PROFILE OF ANY LINE
- RUNOUT
- TRUE POSITION
- CONCENTRICITY
- SYMMETRY

ASME Y14.5M 1994

UNLESS OTHERWISE SPECIFIED DIM. TOLERANCES ARE AS FOLLOWS:

INCH ±.1 XX ±.02 XXX ±.005 XXXX ±.0005

mm ±0.5 ±0.13 ±0.013

ANG. ±.50 DEG

REMOVE BURRS & BREAK SHARP EDGES:

INCH .003-.015 mm 0.1-0.4

CORNER FILLETS TO:

INCH .020 mm 0.5

MACHINE SURFACES:

INCH 125 mm 3.2

METRIC DIMS. SHOWN IN [BRACKETS]

DR BY: R.RHODUS

APPD:

THIRD ANGLE PROJECTION

EDS DATE 11-11-2011

FORMAT REV H

CONFIDENTIAL: THIS DRAWING AND ITS INFORMATION ARE THE EXCLUSIVE AND CONFIDENTIAL PROPERTY OF REGAL-BELOIT CORPORATION AND ARE NOT TO BE DISCLOSED, DUPLICATED, DISTRIBUTED OR OTHERWISE USED WITHOUT THE WRITTEN CONSENT OF REGAL-BELOIT CORPORATION. -ALL RIGHTS RESERVED.

REGAL REGAL-BELOIT CORPORATION

DESCRIPTION: MODEL-RFHP-48FR OUTLINE

SIZE: C DWG NO: 11760-024

SCALE: NONE SHEET: 1

4

3

2

1

4

3

2

1

INFORMACION GENERAL:

OSCILACION DE FLECHA: .001 [.03] L.T.I. LONG. DE EXTENSION POR PULGADA

JUEGO AXIAL: .010 A .063 [.25 A 1.60]

BALEROS: MANGA

POSICION DEL MONTAJE: TODOS ANGULOS

INFORMACION ELECTRICA:

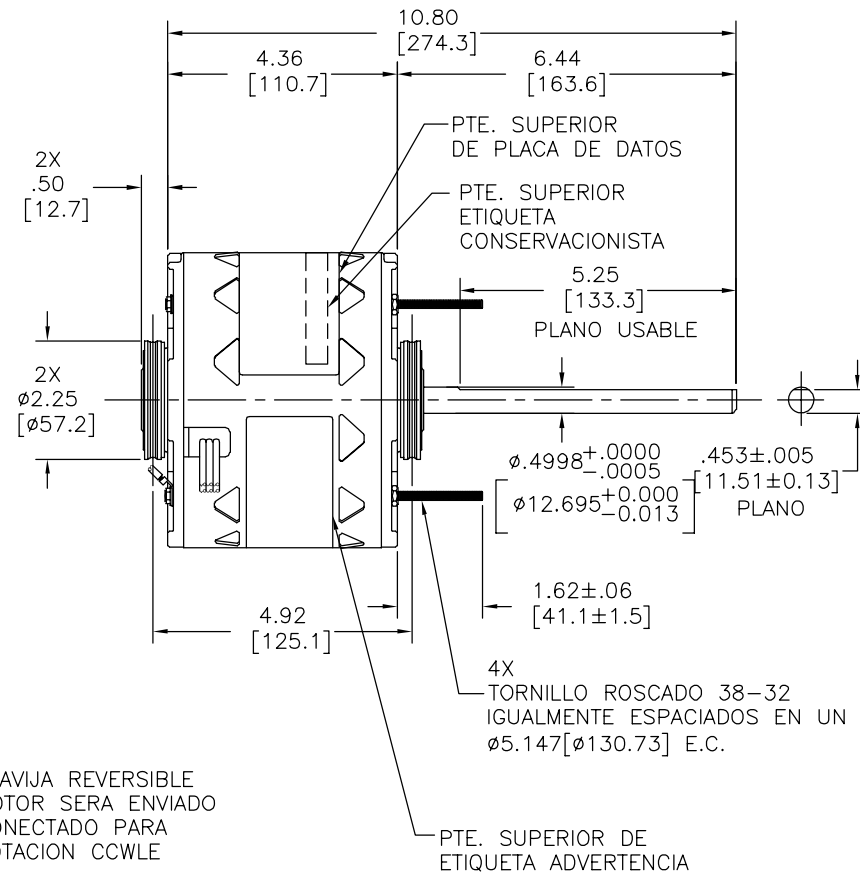
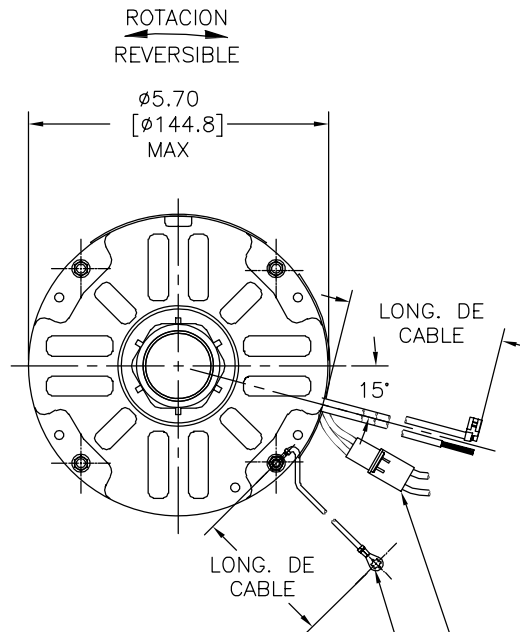
SOBRECARGA DEL PROTECTOR: REINICIO AUTOMATICO (T.I. 7AM 032)

CABLES: CAL. NO. 18, .06 [1.5] ESP. 125°C AISLAM. EPDM

CABLES DE REVERSA: CAL. NO. 18, .03 [.8] ESP. 125°C AISLAM. XLP

CABLE DE TIERRA: CAL. NO. 18, .03 [.8] ESP. (VERDE) AISLAM.

REVISION:	ECO	REVISADO POR:	FECHA:	APROBADO POR:	FECHA:
F	ECO-0037449	Y.LIU	08-27-2013	B.SHEN	08-27-2013



VER NOTA 2

INFORMACION DE ETIQUETA: MODEL NO.: F48SG4L8 CUST. P/N: [] HP: 1/4 ROT.: REVERSIBLE RPM: 1625/3 SPD. TYPE: UF FRAME: 48Y VOLTS: 208-230 PH: 1 AMPS: 1.8 (3.2 MAX) HZ: 60 INS.: A AMB.: 40° C DUTY: AIR OVER CAP.: 5 MFD/370V ENCL: OPEN UL LOGO CSA LOGO THERMALLY PROTECTED	DIAGRAMA DE CONEXION EXTERNA SEP. CAP. BROWN BROWN/W YELLOW BLACK BLUE RED ROTATION BLACK WHITE BLACK WHITE CCWLE CWLE
---	---

VERDE (TIERRA)	12.0/13.0 [305/330]	#10 OJAL
NEGRO/BLANCO	3.0/5.0 [76/127]	CLAVIJA DE REVERSA
CAFE	26.0/28.0 [660/717]	.25[6.4] BANDERA
CAFE/BLANCO	26.0/28.0 [660/717]	.25[6.4] BANDERA
AMARILLO	26.0/28.0 [660/717]	.50[12.7] DESFORRE
NEGRO	26.0/28.0 [660/717]	.50[12.7] DESFORRE
AZUL	26.0/28.0 [660/717]	.50[12.7] DESFORRE
ROJO	26.0/28.0 [660/717]	.50[12.7] DESFORRE
COLOR	LONGITUD	TERMINAL O LONGITUD DE DESFORRE

Model Overlay Name Number File Text
 K:\CAD\PSCS\MOTOUT\11760-117_01.DWG\1PSCS_MOTORS\CONLINE\MOTORS\4P4036 - DI

- NOTAS:
- ANILLO DE RETENCION RAPIDA 615035 4 REQUERIDOS SERA EMPACADO CON CADA MOTOR
 - NO. DE PARTE DE DISTRIBUCION: FD1024 NO. DE PARTE GRAINGER: 4MA82

CARCASA - LOC	ABIERTO
TAPA - LOC	ABIERTO
CARCASA - LC	ABIERTO
TAPA - LC	ABIERTO

CLIENTE	DISTRIBUTION SERVICES
---------	-----------------------

CURVAS DE FUNCIONAMIENTO	TORSION @1075 RPM (25°C)	MUESTRA APROBADA	COMPONENTE UL	CSA
C23332	20 OZ. PIE	EX11396	#ARCHIVO PRGY2	LR43341 4211-01

CARACTERISTICAS DE GEOMETRIA Y SIMBOLOS

- PLANICIDAD
- RECTITUD
- ANGULARIDAD
- PERPENDICULARIDAD (A ESCUADRA)
- PARALELISMO
- REDONDEZ (CIRCULARIDAD)
- CILINDRICIDAD
- PERFIL DE CUALQUIER SUPERFICIE
- PERFIL DE CUALQUIER LINEA
- VARIACION
- POSICION REAL
- CONCENTRICIDAD
- SIMETRIA

A MENOS QUE SE ESPECIFIQUE DE OTRA MANERA LAS PROYECCIONES SE ENTENDEN A NUESTROS CLIENTES EN VARIAS AREAS PUEDE QUE NO SE RECIERAN LOS DATOS EN RELACION AL USO Y A ANG. T. 90 GRADOS DEL MOTOR LA ELIMINAR REBASAR EL MARGEN DE BORRACION ADECUADA DEL MOTOR DEBE SER DETERMINADA POR EL FILETEAR ESQUINAS .020 mm 0.5 MAQUINAR SUPERFICIES DIMENSIONES EN TOLERANCIA SON DE REFERENCIA SOLO MENTE DIMS METRICAS MOSTRADAS (PARENTESIS)

DIBUJADO POR: R.RHODUS
 APROBADO POR:
 TERCER ANGULO DE PROYECCION
 FECHA EDS: 11-11-2011
 REV. FORMATO: H
 CONFIDENCIAL: ESTE DIBUJO Y SU INFORMACION SON PROPIEDAD DE USO EXCLUSIVO Y CONFIDENCIAL DE REGAL-BELOIT CORPORATION. Y NO DEBERAN SER REVELADOS, DUPLICADOS, DISTRIBUIDOS O USARSE DE OTRA MANERA SIN EL CONSENTIMIENTO ESCRITO DE REGAL-BELOIT CORPORATION. -TODOS LOS DERECHOS RESERVADOS.

REGAL REGAL-BELOIT CORPORATION

DESCRIPCION: MODEL-RFHP-48FR OUTLINE

TAMAÑO: C NUMERO DE DIBUJO: 11760-024

ESCALA: NONE HOJA: 1

4

3

2

1