

GENERAL INFORMATION:

SHAFT RUNOUT: .001[.025] T. I. R. PER INCH LENGTH OF EXTENSION.

END PLAY: .010[.254] TO .063[1.600]

BEARINGS: SLEEVE

MOUNTING POSITION: HORIZONTAL

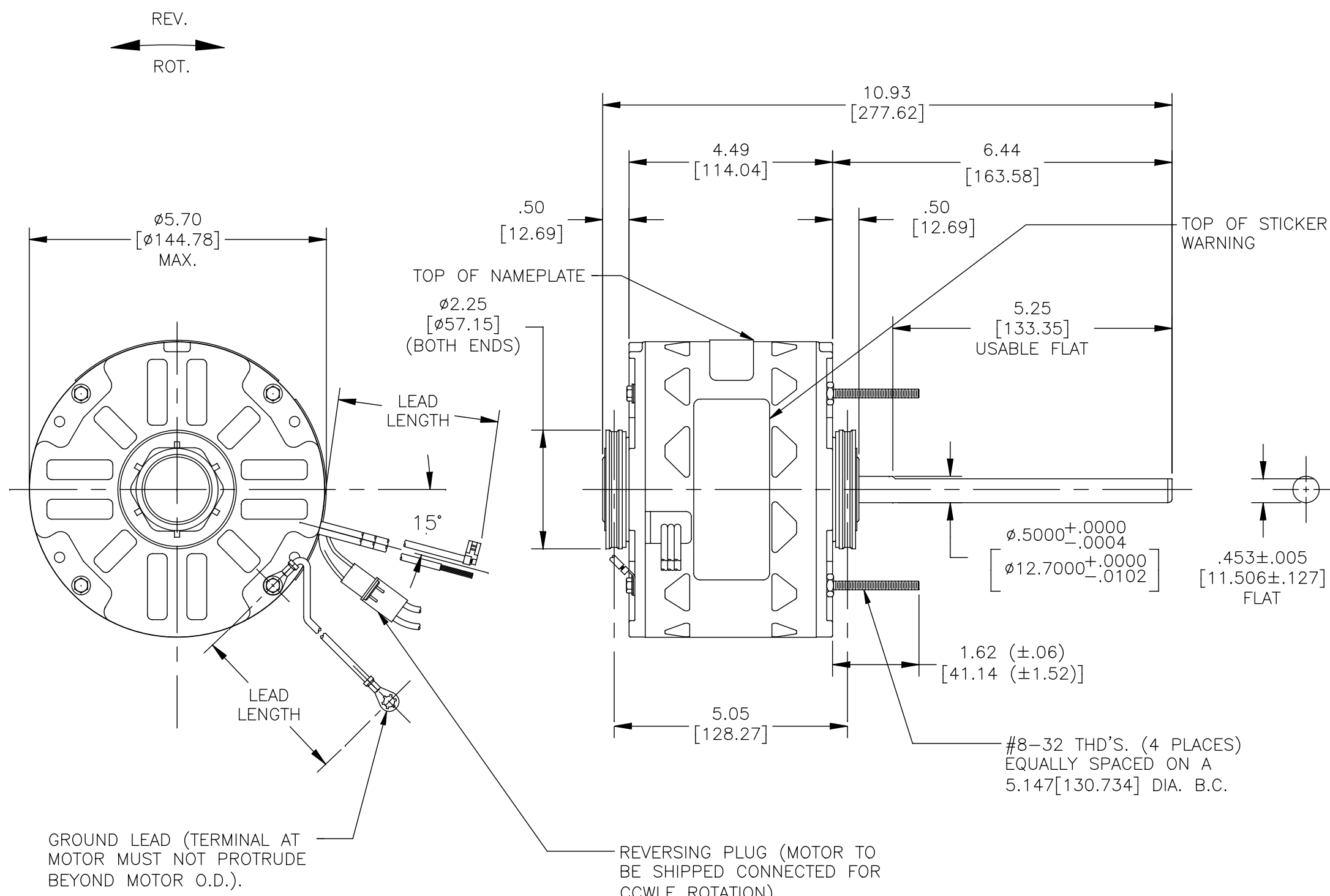
ELECTRICAL DATA:

OVERLOAD PROTECTOR: AUTOMATIC RESET (T. I. 7AM 036)

LEADS: No. 18 GA., .06[1.52] THK. EPDM 125°C INSUL.

REVERSING LEADS: No. 18 GA., .03[.76] THK. 125°C INSUL.

GROUND LEAD: No. 18 GA., .03[.76] THK., (GREEN) INSUL.



GROUND LEAD (TERMINAL AT MOTOR MUST NOT PROTRUDE BEYOND MOTOR O.D.).

REVERSING PLUG (MOTOR TO BE SHIPPED CONNECTED FOR CCWLE ROTATION).

-NOTE:  
-SNAP RINGS 615035 (4 REQ'D.)  
TO BE PACKED WITH EACH MOTOR

GREEN(GRD)	12.0/13.0 [304.8/330.2]	#10 EYELET
BLACK/WHITE	3.0/5.0 [76.2/127]	REVERSING PLUG
BROWN	26.0/28.0 [660.4/711.2]	.25[6.35] FLAG
BROWN/WHITE	26.0/28.0 [660.4/711.2]	.25[6.35] FLAG
YELLOW	26.0/28.0 [660.4/711.2]	.50[12.70] SKIN
BLUE	26.0/28.0 [660.4/711.2]	.50[12.70] SKIN
BLACK	26.0/28.0 [660.4/711.2]	.50[12.70] SKIN
RED	26.0/28.0 [660.4/711.2]	.50[12.70] SKIN
COLOR	LENGTH	TERMINAL OR STRIP LENGTH

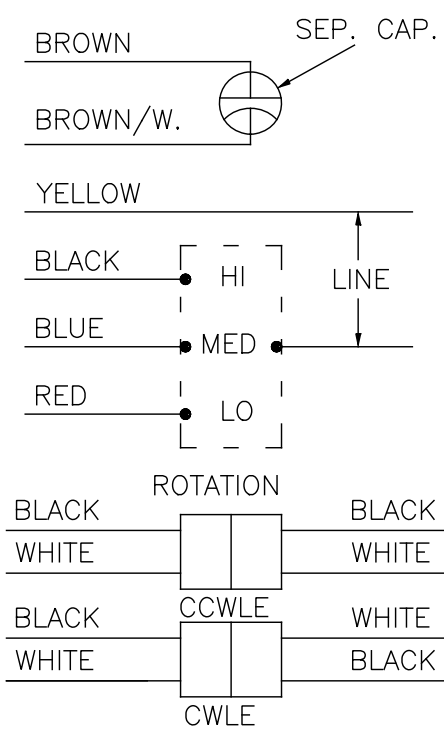
REGAL-BELOIT CORPORATION (RBC) PROVIDES TECHNICAL ASSISTANCE TO OUR CUSTOMERS IN SEVERAL AREAS. SINCE RBC DOES NOT RECEIVE ALL DATA CONCERNING THE USE AND APPLICATION OF THE MOTOR, THE SUITABILITY OF THE MOTOR FOR THE APPLICATION MUST BE DETERMINED BY THE CUSTOMER.

DIMENSIONS WITHOUT TOLERANCES ARE FOR REFERENCE ONLY.

MAIN FRAME - OLE	OPEN
END FRAME - OLE	OPEN
MAIN FRAME - LE	OPEN
END FRAME - LE	OPEN

CUSTOMER	DISTRIBUTION SERVICE
----------	----------------------

NAMEPLATE DATA:		EXTERNAL CONNECTION DIAGRAM	
MODEL NO.: F48A30A01		BROWN	SEP. CAP.
CUST. P/N: 7FD1036		BROWN/W.	
HP: 1/3		YELLOW	
ROT.: REVERSIBLE		BLACK	HI
RPM: 1075/3 SPD		BLUE	MED
TYPE: UF		RED	LO
FRAME: 48Y			
VOLTS: 277			
PH: 1			
AMPS: 1.9 (2.1 MAX)			
HZ: 60			
INS.: B			
AMB.: 50 ° C			
DUTY: AIR COVER			
CAP.: 7.5 MFD/370V			
ENCL: OPEN			
UL LOGO			
CSA LOGO			
THERMALLY PROTECTED			



614131-111

PERFORMANCE CURVE NO.	TORQUE @ 1075 RPM (25°C)	APPROVED SAMPLE	UL COMPONENT	CSA
C23307	24.1 OZ. FT.	EX11392	E46412 PRGY2	LR43341 260-0-0

DRAWING REVISION C	REVISION BY B.JI	DATE 09-20-2016
ECO-0109613	APPROVED BY C.ZHOU	DATE 09-20-2016

COPYRIGHT REGAL-BELOIT AMERICA, INC. ALL RIGHTS RESERVED. PROPRIETARY AND CONFIDENTIAL INFORMATION - THIS DOCUMENT IS THE PROPERTY OF REGAL-BELOIT AMERICA, INC. (OWNER) AND CONTAINS OWNER'S PROPRIETARY INFORMATION. ANY PERSON, CORPORATION OR OTHER FIRM RECEIVING IT IS DEEMED, BY RECEIVING IT, TO AGREE THAT IT, AND/OR ANY PART OF IT, SHALL NOT BE DISCLOSED TO ANY PERSON, CORPORATION OR OTHER ENTITY, DUPLICATED, AND/OR USED, EXCEPT AS EXPRESSLY APPROVED IN WRITING IN ADVANCE BY OWNER. THIS DOCUMENT SHALL BE RETURNED TO OWNER UPON REQUEST. IT MAY BE SUBJECT TO CERTAIN RESTRICTIONS UNDER APPLICABLE EXPORT CONTROL LAWS AND REGULATIONS.

DRAWN BY: J.WILLIAMS	DATE: 03-07-1991	APPROVED BY: M.FRENCH	DATE: 11-10-1992	REFERENCE
THIRD ANGLE PROJECTION		SIZE DWG NO C 7FD1036	SHEET 1	

<b>REGAL</b> Regal Beloit America, Inc.	DESCRIPTION
	MODEL-RFHP-48FR OUTLINE
	MATERIAL
	PROCESS/FINISH