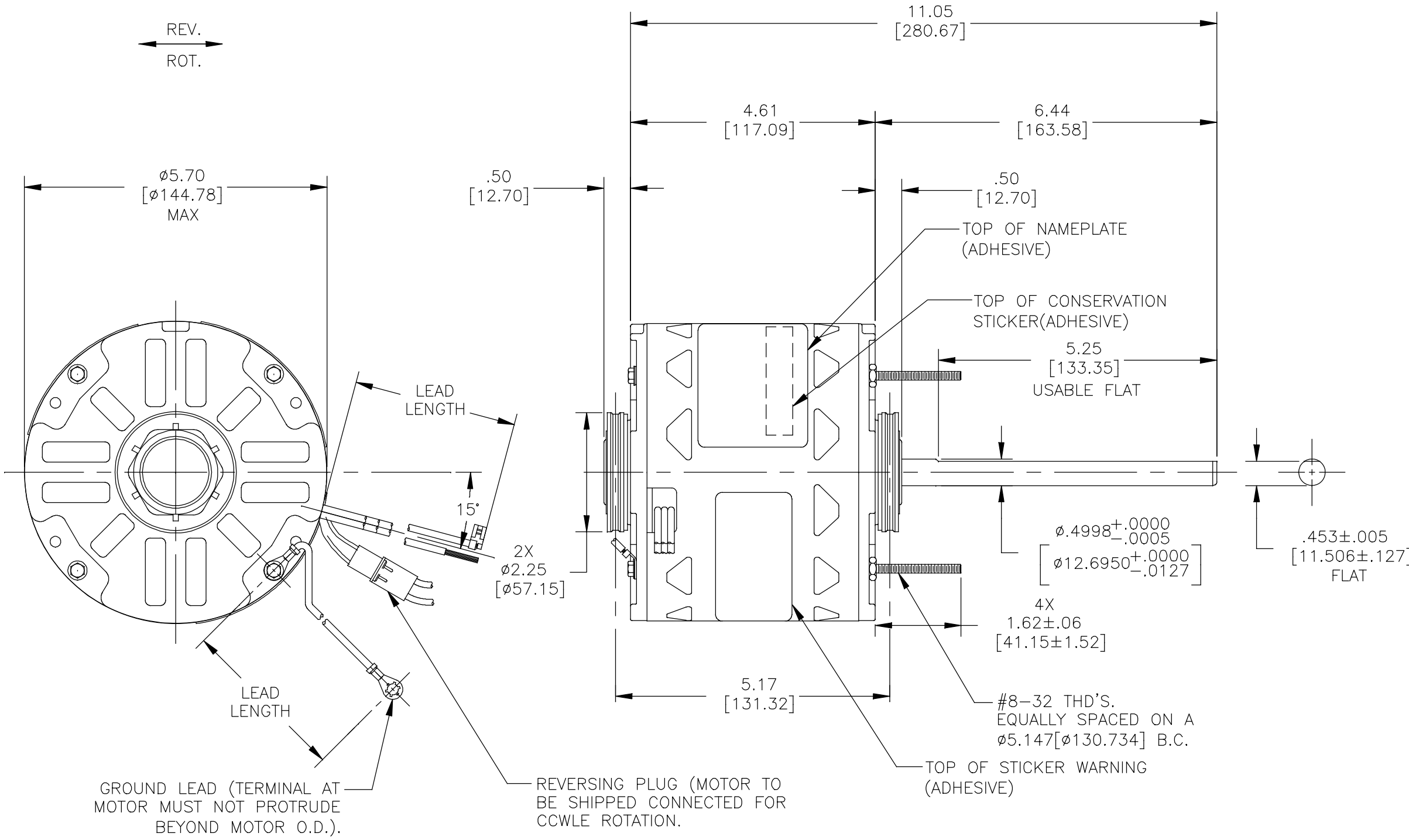


GENERAL INFORMATION:

SHAFT RUNOUT: .001 [.025] T.I.R. PER INCH LENGTH OF EXTENSION
 END PLAY: .010[.254] TO .063[1.600]
 BEARINGS: SLEEVE
 MOUNTING POSITION: ALL ANGLE
 ELECTRICAL DATA:
 OVERLOAD PROTECTOR: AUTOMATIC RESET T.I. 7AM 032
 LEADS: NO. 18 GA., .06 [1.52] THK., EPDM 125°C INSUL.
 REVERSING LEADS: NO. 18 GA., .03 [.76] THK., XLP 125°C INSUL.
 GROUND LEAD: NO. 18 GA., .03 [.76] THK., GREEN INSUL.



- NOTE:
 1. SNAP RINGS 615035 (4 REQ'D) TO BE PACKED WITH EACH MOTOR.
 2. DISTRIBUTION PART NUMBER: FDL1034 GRAINGER PART NUMBER: 4MA84

REGAL-BELOIT CORPORATION (RBC) PROVIDES TECHNICAL ASSISTANCE TO OUR CUSTOMERS IN SEVERAL AREAS. SINCE RBC DOES NOT RECEIVE ALL DATA CONCERNING THE USE AND APPLICATION OF THE MOTOR, THE SUITABILITY OF THE MOTOR FOR THE APPLICATION MUST BE DETERMINED BY THE CUSTOMER.

DIMENSIONS WITHOUT TOLERANCES ARE FOR REFERENCE ONLY.

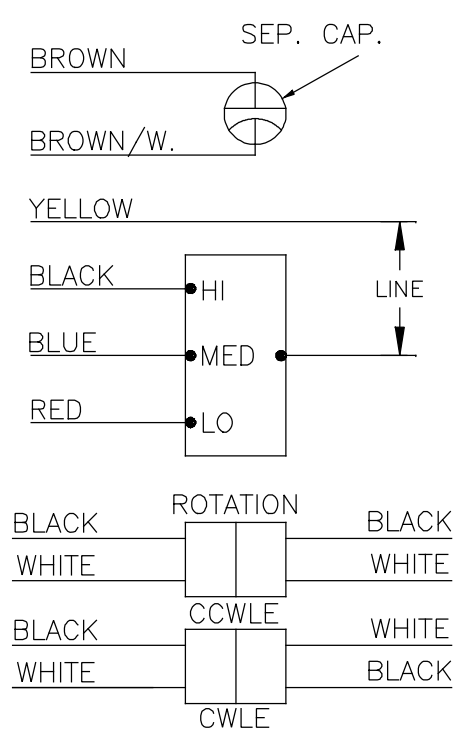
MAIN FR. - OLE	OPEN
END FR. - OLE	OPEN
MAIN FR. - LE	OPEN
END FR. - LE	OPEN

CUST	DISTRIBUTION SERVICES
------	-----------------------

NAMEPLATE DATA:

MODEL NO: F48SJ4L5
 CUST. P/N:
 HP: 1/3
 ROT.: REVERSIBLE
 RPM: 1625/3 SPD.
 TYPE: UF
 FRAME: 48Y
 VOLTS: 115
 PH: 1
 AMPS: 4.0 (6.2 MAX)
 HZ: 60
 INS.: A
 AMB: 40°C
 DUTY: AIR OVER
 CAP.: 15 MFD/370V
 ENCL: OPEN
 CSA LOGO
 UL LOGO
 THERMALLY PROTECTED

EXTERNAL CONNECTION DIAGRAM



614131-111

GREEN(GRD)	12/13 [305/330]	#10 EYELET
BLACK/WHITE	3/5 [76/127]	REVERSING PLUG
BROWN	26/28 [660/711]	.25[6.35] FLAG
BROWN/WHITE	26/28 [660/711]	.25[6.35] FLAG
YELLOW	26/28 [660/711]	.50[12.70] SKIN
BLACK	26/28 [660/711]	.50[12.70] SKIN
BLUE	26/28 [660/711]	.50[12.70] SKIN
RED	26/28 [660/711]	.50[12.70] SKIN
COLOR	LENGTH	TERMINAL OR STRIP LENGTH

PERFORMANCE CURVE NO.	TORQUE @ 1625 RPM (25°C)	APPROVED SAMPLE	UL COMPONENT		CSA	
			FILE #	GUIDE #	FILE #	GUIDE #
C23333	22.8 OZ. FT.	EX11397	E46412	PRGY2	LR43341	260-Ø-0

DRAWING REVISION A	REVISION BY HANNA.ZOU	DATE 08-15-2017
ECO-0129378	APPROVED BY HONG.ZHU	DATE 08-15-2017
ECO DESCRIPTION NEW MODEL RELEASE		

COPYRIGHT REGAL-BELOIT AMERICA, INC. ALL RIGHTS RESERVED. PROPRIETARY AND CONFIDENTIAL INFORMATION - THIS DOCUMENT IS THE PROPERTY OF REGAL-BELOIT AMERICA, INC. (OWNER) AND CONTAINS OWNER'S PROPRIETARY INFORMATION. ANY PERSON, CORPORATION OR OTHER FIRM RECEIVING IT IS DEEMED, BY RECEIVING IT, TO AGREE THAT IT, AND/OR ANY PART OF IT, SHALL NOT BE DISCLOSED TO ANY PERSON, CORPORATION OR OTHER ENTITY, DUPLICATED, AND/OR USED, EXCEPT AS EXPRESSLY APPROVED IN WRITING IN ADVANCE BY OWNER. THIS DOCUMENT SHALL BE RETURNED TO OWNER UPON REQUEST. IT MAY BE SUBJECT TO CERTAIN RESTRICTIONS UNDER APPLICABLE EXPORT CONTROL LAWS AND REGULATIONS.

DRAWN BY: HANNA.ZOU
DATE: 08-15-2017
APPROVED BY: HONG.ZHU
DATE: 08-15-2017
PROCESS/FINISH

REGAL Regal Beloit America, Inc.

DESCRIPTION MODEL-RFHP-48FR OUTLINE

MATERIAL -
 SIZE DWG NO FDL1034
 SHEET 1

THIRD ANGLE PROJECTION