

GENERAL INFORMATION:

SHAFT RUNOUT: .001 [.025] T.I.R. PER INCH LENGTH OF EXTENSION

END PLAY: .010 TO .063 [.254 TO 1.600]

BEARINGS: SLEEVE

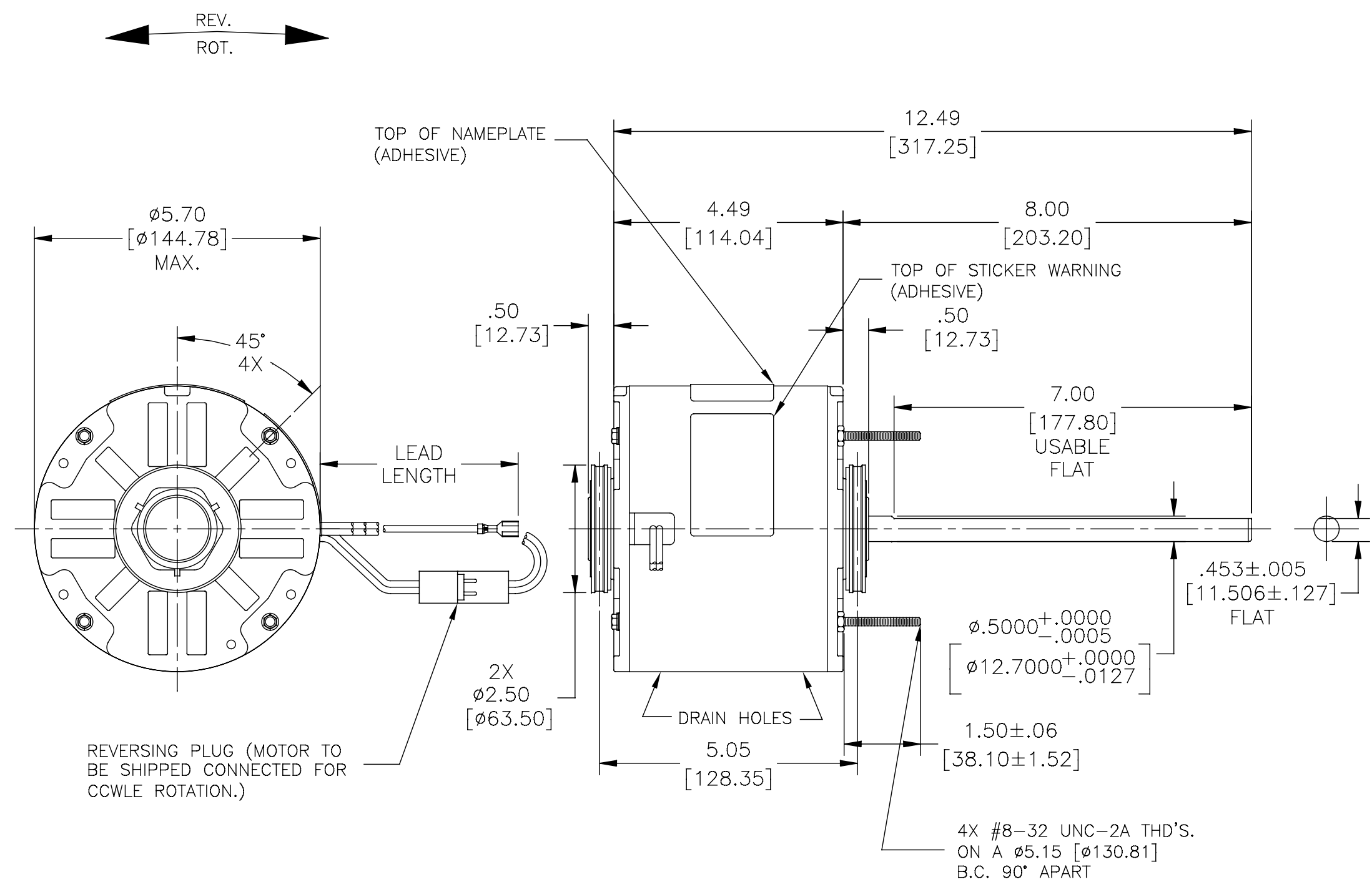
MOUNTING POSITION: ALL ANGLE

ELECTRICAL DATA:

OVERLOAD PROTECTOR: AUTOMATIC RESET (T.I. 7AM 032)

LEADS: NO. 18 GA., .06 [1.52] THK. EPDM 125°C INSUL.

REVERSING PLUGS: NO. 18 GA., .03 [.76] THK. XLP 125°C INSUL.

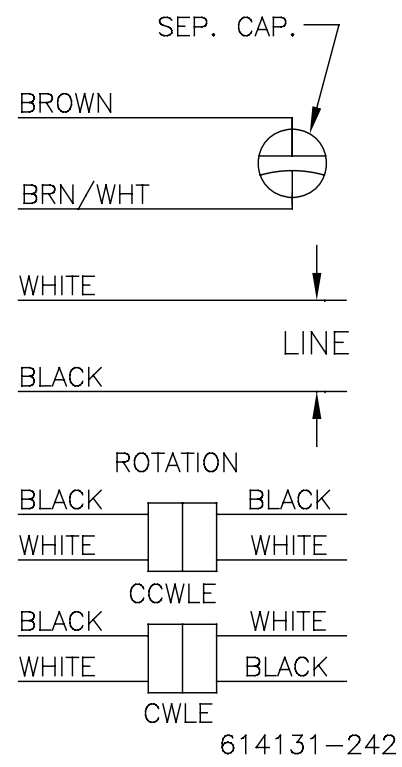


REVERSING PLUG (MOTOR TO BE SHIPPED CONNECTED FOR CCWLE ROTATION.)

NAMEPLATE DATA:

MODEL NO.: F48J47A01
 CUST. P/N: 7FD1024S
 HP: 1/4
 ROT.: REVERSIBLE
 RPM: 1625
 TYPE: UF
 FRAME: 48Y
 VOLTS: 277
 PH: 1
 AMPS: 1.35 (2.0 MAX.)
 HZ: 60
 INS.: A
 AMB.: 50° C
 DUTY: AIR OVER
 CAP.: 3 MFD/370 V
 ENCL: SEMI-ENCL.
 UL LOGO
 CSA LOGO
 THERMALLY PROTECTED

EXTERNAL CONNECTION DIAGRAM



BLACK/WHITE	3.0/5.0 [76.2/127.0]	REVERSING PLUG
BROWN	14.0/16.0 [355.6/406.4]	.25 [6.35] FEMALE SPADE
BROWN/WHITE	14.0/16.0 [355.6/406.4]	.25 [6.35] FEMALE SPADE
WHITE	14.0/16.0 [355.6/406.4]	.25 [6.35] FEMALE SPADE
BLACK	14.0/16.0 [355.6/406.4]	.25 [6.35] FEMALE SPADE
COLOR	LENGTH	TERMINAL OR STRIP LENGTH
LEAD DATA		

MAIN FRAME - OLE	ENCLOSED
END FRAME - OLE	OPEN
MAIN FRAME - LE	ENCLOSED
END FRAME - LE	OPEN
ENCLOSURE	

CUSTOMER	DISTRIBUTION SERVICE
----------	----------------------

PERFORMANCE CURVE NO.	TORQUE @1725 RPM (25°C)	APPROVED SAMPLE	UL COMPONENT		CSA	
			FILE #	CCN #	FILE #	CLASS #
C23443	11.0 OZ. FT.	EX11532	E46412	PRGY2	LR43341	4211-01

DRAWING REVISION C
 ECO 0097040
 ECO DESCRIPTION SEE ECO

REVISION BY J.CHAI
 APPROVED BY C.ZHANG

DATE 02-18-2016
 DATE 02-18-2016

COPYRIGHT REGAL BELOIT AMERICA, INC. ALL RIGHTS RESERVED. PROPRIETARY AND CONFIDENTIAL INFORMATION - THIS DOCUMENT IS THE PROPERTY OF REGAL BELOIT AMERICA, INC. ("OWNER") AND CONTAINS OWNER'S PROPRIETARY INFORMATION. ANY PERSON, CORPORATION OR OTHER FIRM RECEIVING IT IS DEEMED, BY RECEIVING IT, TO AGREE THAT IT, AND/OR ANY PART OF IT, SHALL NOT BE DISCLOSED TO ANY PERSON, CORPORATION OR OTHER ENTITY, DUPLICATED, AND/OR USED, EXCEPT AS EXPRESSLY APPROVED IN WRITING IN ADVANCE BY OWNER. THIS DOCUMENT SHALL BE RETURNED TO OWNER UPON REQUEST. IT MAY BE SUBJECT TO CERTAIN RESTRICTIONS UNDER APPLICABLE EXPORT CONTROL LAWS AND REGULATIONS.

REGAL™ Regal Beloit America, Inc.

DESCRIPTION MODEL-RFHP-48FR OUTLINE

MATERIAL

THIRD ANGLE PROJECTION

SIZE DWG NO 7FD1024S SHEET 1