

4

3

2

1

REV	ECO	REV BY	DATE	APPD	DATE
B	0025529	J.M.RAMIREZ	04-24-2012	R.RASCON	04-24-2012

GENERAL INFORMATION:

SHAFT RUNOUT: .001 [.03] T.I.R. PER INCH LENGTH OF EXTENSION

END PLAY: .010 TO .063 [.25 TO 1.60]

BEARINGS: SLEEVE

MOUNTING POSITION: HORIZONTAL

ELECTRICAL DATA:

OVERLOAD PROTECTOR: AUTOMATIC RESET (T.I. 7AM 036)

LEADS: NO. 18 GA., .06[1.5] THK. PVC 105°C INSUL.

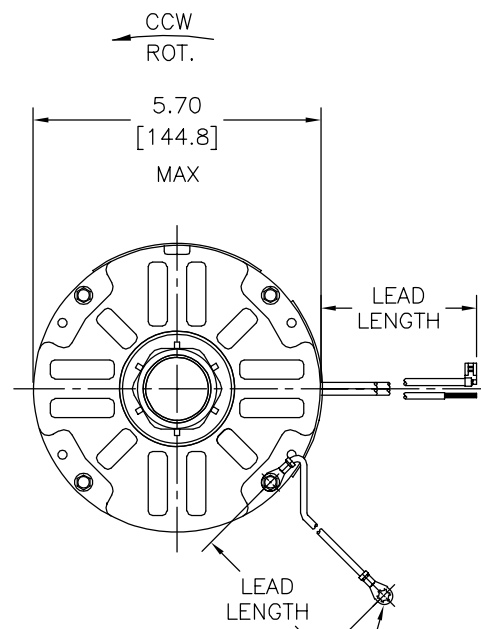
GROUND LEAD: NO. 18 GA., .03[.8] THK., (GREEN/YELLOW) INSUL.

SEE NOTE 1

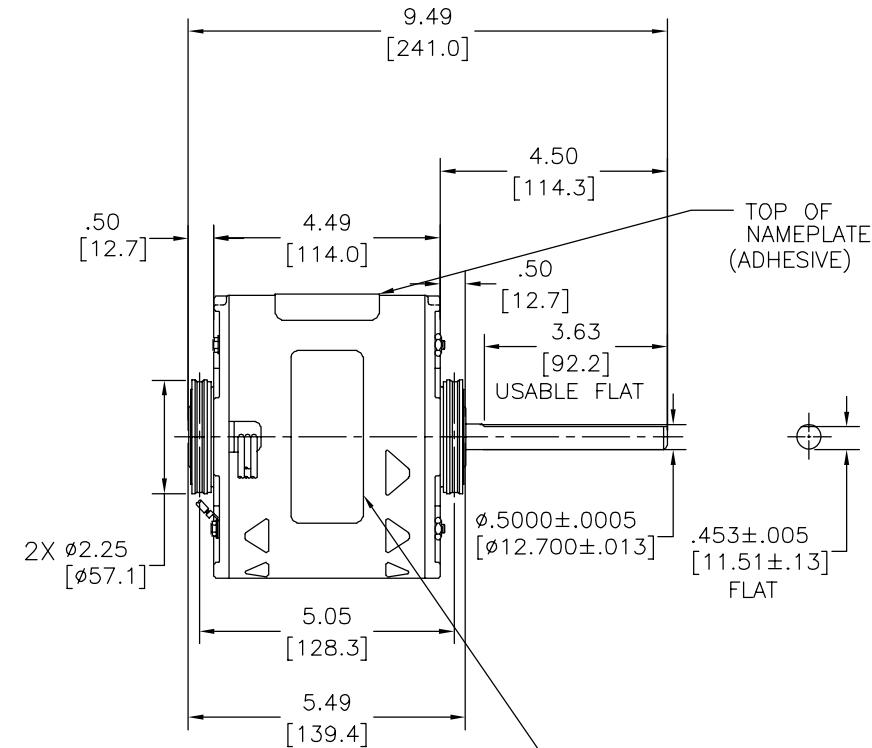
NAMEPLATE DATA:	EXTERNAL CONNECTION DIAGRAM
MODEL NO.: F48V11A01 CUST. P/N: <input type="text"/> HP: 1/4 ROT.: CCWLE RPM: 1550 TYPE: UF FRAME: 48Y VOLTS: 115/208-230 PH: 1 AMPS: 4.9/2.5-2.5 HZ: 60 INS.: B AMB.: 40° C DUTY: AIR OVER CAP.: 4 MFD/370 V ENCL: SEMI-ENCLOSED UL LOGO CSA LOGO THERMALLY PROTECTED	

614131-315

PERFORMANCE CURVE NO.	TORQUE @ 1550 RPM (25°C)	APPROVED SAMPLE	UL COMPONENT		CSA	
C32306	20.6 OZ. FT.	0442802B	FILE #	CCN #	FILE #	CLASS #
			E46412	PRGY2	LR43341	4211-01



GROUND LEAD (TERMINAL AT MOTOR MUST NOT PROTRUDE BEYOND MOTOR O.D.).



GREEN/YELLOW (GRD)	11.0/13.0 [279/330]	#10 EYELET
BROWN	11.0/13.0 [279/330]	.25[6.4] FLAG
BROWN/WHITE	11.0/13.0 [279/330]	.25[6.4] FLAG
YELLOW	11.0/13.0 [279/330]	.50[12.7] STRIP
WHITE	11.0/13.0 [279/330]	.50[12.7] STRIP
ORANGE	11.0/13.0 [279/330]	.50[12.7] STRIP
BLACK	11.0/13.0 [279/330]	.50[12.7] STRIP
PURPLE	11.0/13.0 [279/330]	.50[12.7] STRIP
COLOR	LENGTH	TERMINAL OR STRIP LENGTH

NOTE:  
1. DISTRIBUTION PART NUMBER: 9700  
GRAINGER PART NUMBER: 4UU68

MAIN FRAME - OLE	SEMI-ENCLOSED
END FRAME - OLE	OPEN
MAIN FRAME - LE	SEMI-ENCLOSED
END FRAME - LE	OPEN

CUSTOMER	DISTRIBUTION SERVICES
----------	-----------------------

GEOMETRIC CHARACTERISTICS & SYMBOLS

- FLATNESS
- STRAIGHTNESS
- ∠ ANGULARITY
- ⊥ PERPENDICULARITY (SQUARENESS)
- ∥ PARALLELISM
- ROUNDNESS (CIRCULARITY)
- ⊘ CYLINDRICITY
- △ PROFILE OF ANY SURFACE
- ∩ PROFILE OF ANY LINE
- ↗ RUNOUT
- ⊕ TRUE POSITION
- ◎ CONCENTRICITY
- ≡ SYMMETRY

ASME Y14.5M 1994

REGAL-BELOIT CORPORATION (RBC) PROVIDES TECHNICAL ASSISTANCE TO OUR CUSTOMERS IN SEVERAL AREAS. SINCE RBC DOES NOT RECEIVE ALL DATA CONCERNING THE USE AND APPLICATION OF THE MOTOR, THE SUITABILITY OF THE MOTOR FOR THE APPLICATION MUST BE DETERMINED BY THE CUSTOMER.

DIMENSIONS WITHOUT TOLERANCES ARE FOR REFERENCE ONLY.

DR BY: DZ 02-16-2011

APPD: DZ 02-16-2011

THIRD ANGLE PROJECTION

EDS DATE 11-11-2011  
FORMAT REV G

CONFIDENTIAL: THIS DRAWING AND ITS INFORMATION ARE THE EXCLUSIVE AND CONFIDENTIAL PROPERTY OF REGAL-BELOIT CORPORATION AND ARE NOT TO BE DISCLOSED, DUPLICATED, DISTRIBUTED OR OTHERWISE USED WITHOUT THE WRITTEN CONSENT OF REGAL-BELOIT CORPORATION. -ALL RIGHTS RESERVED.



DESCRIPTION	
MODEL-RFHP-48FR OUTLINE	
SIZE C	DWG NO F48V11A01
SCALE NONE	SHEET 1

4

3

2

1

4

3

2

1

REVISION:	ECO	REVISADO POR:	FECHA:	APROBADO POR:	FECHA:
B	0025529	J.M.RAMIREZ	04-24-2012	R.RASCON	04-24-2012

INFORMACION GENERAL:

OSCILACION DE FLECHA:

JUEGO AXIAL:

BALEROS:

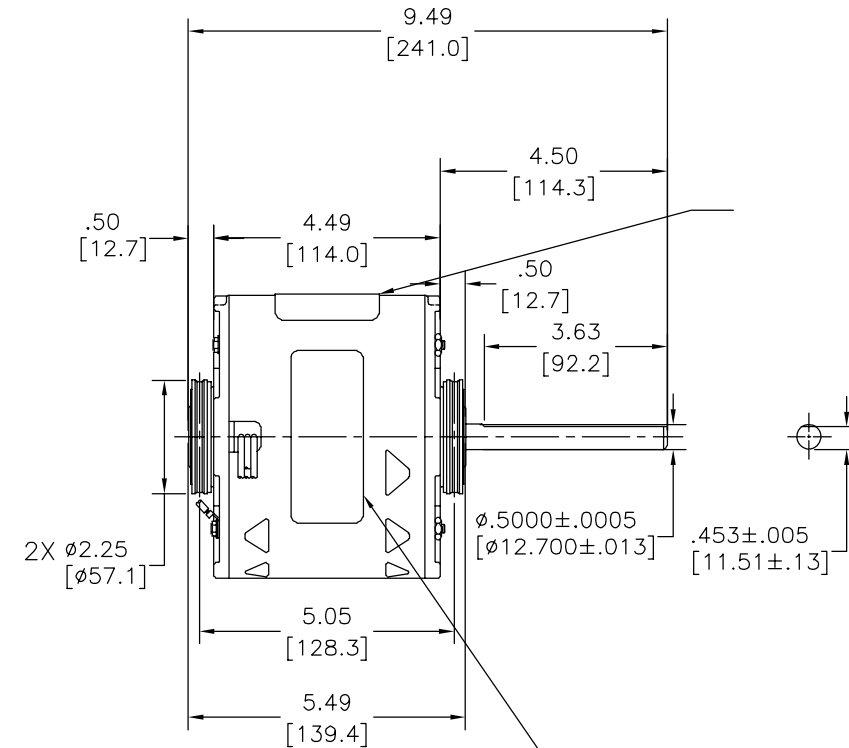
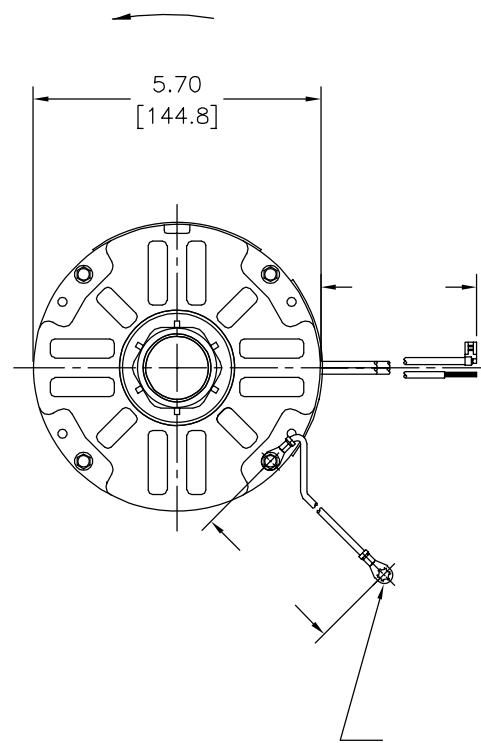
POSICION DEL MONTAJE:

INFORMACION ELECTRICA:

PROTECTOR DE SOBRECARGA

CABLES:

CABLE DE TIERRA:



INFORMACION DE ETIQUETA:	DIAGRAMA DE CONEXION EXTRNA
MODEL NO.: F48V11A01 CUST. P/N: <input type="text"/> HP: 1/4 ROT.: CCWLE RPM: 1550 TYPE: UF FRAME: 48Y VOLTS: 115/208-230 PH: 1 AMPS: 4.9/2.5-2.5 HZ: 60 INS.: B AMB.: 40° C DUTY: AIR OVER CAP.: 4 MFD/370 V ENCL: SEMI-ENCLOSED UL LOGO CSA LOGO THERMALLY PROTECTED	

614131-315

CURVAS DE FUNCIONAMIENTO	TORSION @ 1550 RPM (25°C)	MUESTRA APROBADA	COMPONENTE UL		CSA	
			#ARCHIVO	CCN #	#ARCHIVO	CLASE #
C32306	20.6 OZ. FT.	0442802B	E46412	PRGY2	LR43341	4211-01

	11.0/13.0	
	[279/330]	
	11.0/13.0	.25[6.4]
	[279/330]	
	11.0/13.0	.25[6.4]
	[279/330]	
	11.0/13.0	.50[12.7]
	[279/330]	
	11.0/13.0	.50[12.7]
	[279/330]	
	11.0/13.0	.50[12.7]
	[279/330]	
	11.0/13.0	.50[12.7]
	[279/330]	
	11.0/13.0	.50[12.7]
	[279/330]	
COLOR	LONGITUD	TERMINAL O LONGITUD DE DESFORRE

CARCASA - LOC	
TAPA - LOC	
CARCASA - LC	
TAPA - LC	

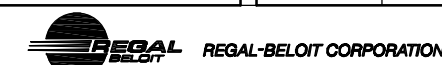
CLIENTE	DISTRIBUTION SERVICES

CARACTERISTICAS DE GEOMETRIA Y SIMBOLOS  
 □ PLANICIDAD  
 — RECTITUD  
 < ANGULARIDAD  
 ⊥ PERPENDICULARIDAD (A ESCUADRA)  
 // PARALELISMO  
 ○ REDONDEZ (CIRCULARIDAD)  
 ∅ CILINDRICIDAD  
 △ PERFIL DE CUALQUIER SUPERFICIE  
 ∩ PERFIL DE CUALQUIER LINEA  
 ↗ VARIACION  
 ⊕ POSICION REAL  
 ⊙ CONCENTRICIDAD  
 = SIMETRIA  
 ASME Y14.5M 1994

REGAL-BELOIT CORPORATION (RBC) PROVEE ASISTENCIA TECNICA A NUESTROS CLIENTES EN VARIAS AREAS. DESDE QUE RBC NO RECIBE TODOS LOS DATOS EN RELACION AL USO Y A LA APLICACION DEL MOTOR, LA APLICACION ADECUADA DEL MOTOR DEBE SER DETERMINADA POR EL CLIENTE.

DIMENSIONES SIN TOLERANCIA SON DE REFERENCIA SOLAMENTE

DIBUJADO POR: DZ 02-16-2011  
 APROBADO POR: DZ 02-16-2011  
 TERCER ANGULO DE PROYECCION  
 CONFIDENCIAL: ESTE DIBUJO Y SU INFORMACION SON PROPIEDAD DE USO EXCLUSIVO Y CONFIDENCIAL DE REGAL-BELOIT CORPORATION. Y NO DEBERAN SER REVELADOS, DUPLICADOS, DISTRIBUIDOS O USARSE DE OTRA MANERA SIN EL CONSENTIMIENTO ESCRITO DE REGAL-BELOIT CORPORATION. -TODOS LOS DERECHOS RESERVADOS.



DESCRIPCION: MODEL-RFHP-48FR OUTLINE  
 TAMAÑO: C NUMERO DE DIBUJO: F48V11A01  
 ESCALA: NONE HOJA: 1

4

3

2

1

4

3

2

1

版本	ECO	编制	日期	批准	日期
B	0025529	J.M.RAMIREZ	04-24-2012	R.RASCON	04-24-2012

总技术要求:

轴跳动:

端部窜动量

轴承:

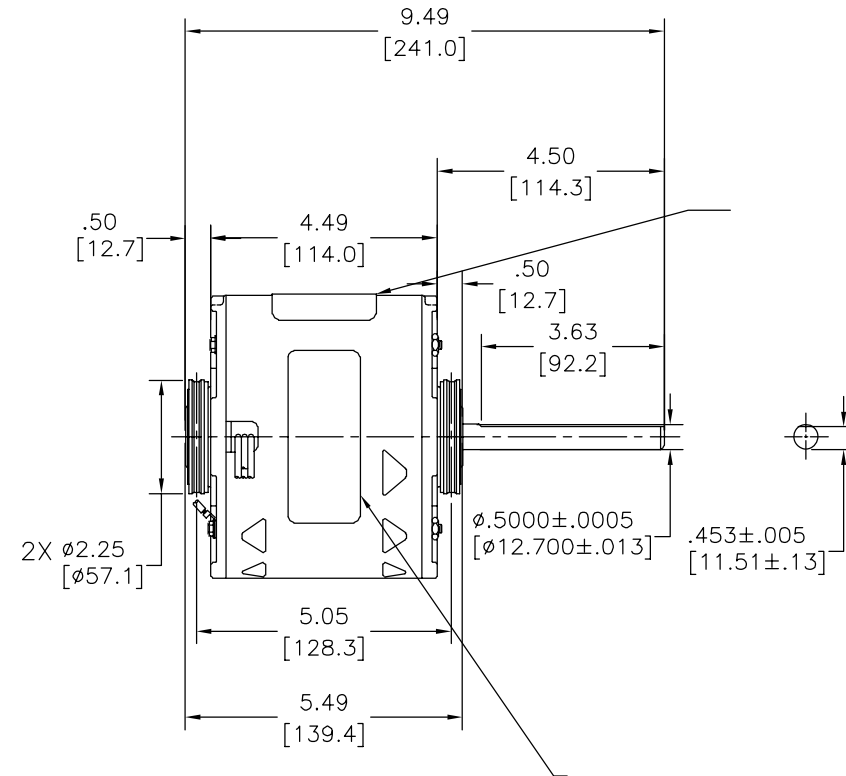
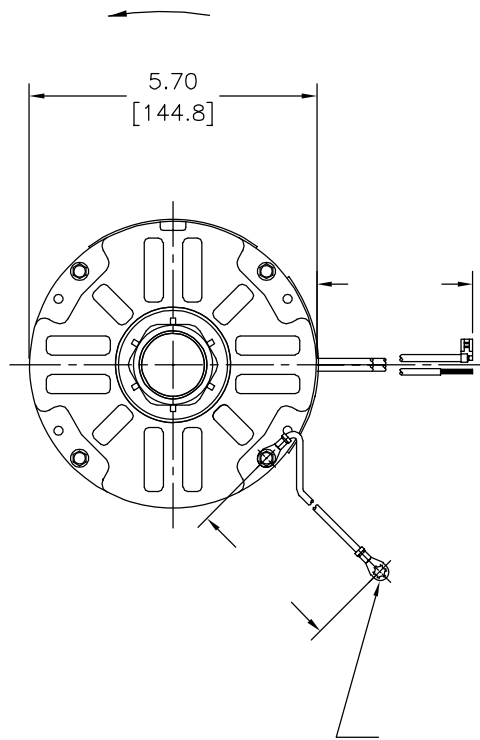
安装位置:

电气数据:

过载保护:

引线:

接地线:



铭牌数据	外部数据线
MODEL NO.: F48V11A01 CUST. P/N: <input type="text"/> HP: 1/4 ROT.: CCWLE RPM: 1550 TYPE: UF FRAME: 48Y VOLTS: 115/208-230 PH: 1 AMPS: 4.9/2.5-2.5 HZ: 60 INS.: B AMB.: 40° C DUTY: AIR OVER CAP.: 4 MFD/370 V ENCL: SEMI-ENCLOSED UL LOGO CSA LOGO THERMALLY PROTECTED	

	11.0/13.0	
	[279/330]	
	11.0/13.0	.25[6.4]
	[279/330]	
	11.0/13.0	.25[6.4]
	[279/330]	
	11.0/13.0	.50[12.7]
	[279/330]	
	11.0/13.0	.50[12.7]
	[279/330]	
	11.0/13.0	.50[12.7]
	[279/330]	
	11.0/13.0	.50[12.7]
	[279/330]	

颜色	长度	端子或剥线长度

无引线端机壳	
无引线端端盖	
有引线端机壳	
有引线端端盖	

用户	DISTRIBUTION SERVICES
----	-----------------------

性能曲线编号	转矩在1550 RPM (25° C)	批准样品	UL部件		CSA	
C32306	20.6 OZ. FT.	0442802B	文件号	指南	文件号	指南
			E46412	PRGY2	LR43341	4211-01

- 形位公差
- 平面度
- 直线度
- ∠ 倾斜度
- ⊥ 垂直度
- // 平行度
- 圆度
- ⊘ 圆柱度
- ⊙ 面轮廓度
- △ 线轮廓度
- ⤴ 圆跳动
- ⊕ 位置度
- ⊙ 同轴度
- ≡ 对称度

ASME Y14.5M 1994

REGAL-BELOIT CORPORATION (RBC) 在个别领域为客户提供技术支持。鉴于RBC未收到任何涉及电机使用和应用环境的数据，电机的适用性由客户自己决定。

未注公差尺寸仅供参考。

绘图:	DZ	02-16-2011
批准:	DZ	02-16-2011
第三角投影		图纸格式发布日期 11-11-2011 图纸格式版本 G
机密: 本图纸及相关信息所有权归REGAL-BELOIT CORPORATION。未经REGAL-BELOIT CORPORATION书面授权, 不得泄露、复制或传播或作其他用途。一版权所有		

名称 MODEL-RFHP-48FR OUTLINE	
图幅 C	图号 F48V11A01
比例 NONE	页号 1

4

3

2

1