

4

3

2

1

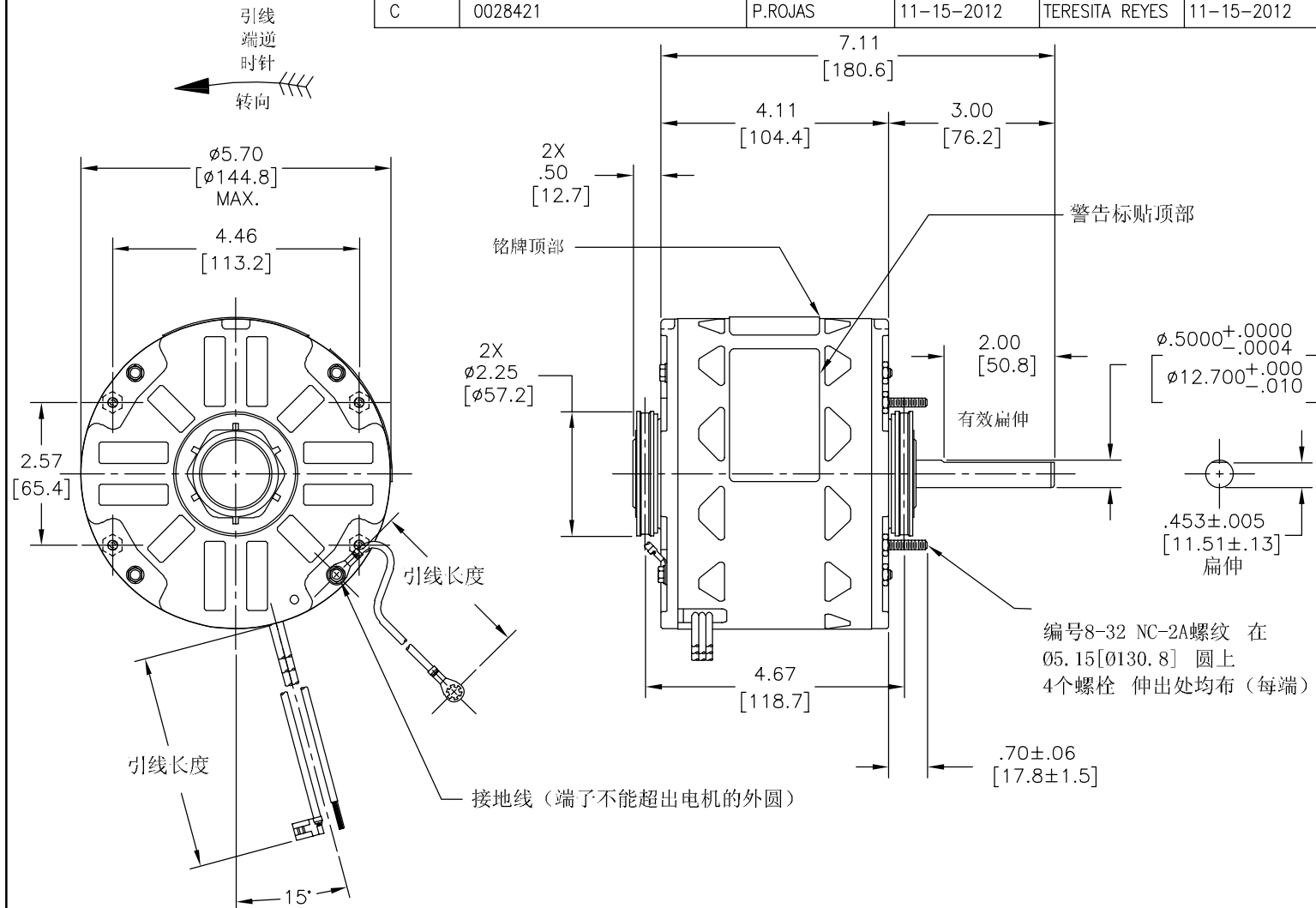
总技术要求:

轴跳动: .001[.03]/1[25.4]外伸轴  
 端部窜动量: .010 到 .063 [.25 到 1.60]  
 轴承: 含油轴承  
 安装位置: 水平

电气数据:

过载保护: 自动复位 (T. I. 7AM 036)  
 引线: 18# (美制标准), 厚.06[1.5] PVC 105° C 绝缘  
 接地线: 18# (美制标准), 厚.03[0.8]绿色绝缘

|    |         |         |            |                |            |
|----|---------|---------|------------|----------------|------------|
| 版本 | ECO     | 编制      | 日期         | 批准             | 日期         |
| C  | 0028421 | P.ROJAS | 11-15-2012 | TERESITA REYES | 11-15-2012 |



| 铭牌数据  | 外部数据线  |
|---|--|
| MODEL NO.: F48V53A01<br>CUST. P/N: SEE NOTE 2<br>HP: 1/4<br>ROT.: CCWLE<br>RPM: 1075<br>TYPE: UF<br>FRAME: 48Y<br>VOLTS: 115<br>PH: 1<br>AMPS: 3.6<br>HZ: 60<br>INS.: B<br>AMB.: 40° C<br>DUTY: AIR OVER<br>CAP.: 5 MFD/370 V<br>ENCL: OPEN<br>UL LOGO<br>CSA LOGO<br>THERMALLY PROTECTED | SEP. CAP.<br>BROWN<br>BRN/WHT<br>PURPLE<br>BLACK<br>LINE |

|        |                     |          |        |       |         |         |
|--------|---------------------|----------|--------|-------|---------|---------|
| 性能曲线编号 | 转矩在1075RPM<br>25° C | 批准样品     | UL部件   |       | CSA     |         |
| C32388 | 20.9 OZ. FT.        | 0444591C | 文件号    | 指南    | 文件号     | 指南      |
|        |                     |          | E46412 | PRGY2 | LR43341 | 4211-01 |

| 颜色      | 长度                     | 端子或剥线长度       |
|---------|------------------------|---------------|
| 绿 (接地线) | 12.0/13.0<br>[305/330] | #10金属圈        |
| 棕色      | 26.0/28.0<br>[660/711] | .25 [6.4] 旗形插 |
| 棕/白     | 26.0/28.0<br>[660/711] | .25 [6.4] 旗形插 |
| 紫       | 26.0/28.0<br>[660/711] | .75 [19.1] 剥皮 |
| 黑色      | 26.0/28.0<br>[660/711] | .75 [19.1] 剥皮 |

|        |    |
|--------|----|
| 无引线端机壳 | 开放 |
| 无引线端端盖 | 开放 |
| 有引线端机壳 | 开放 |
| 有引线端端盖 | 开放 |

|    |                      |
|----|----------------------|
| 用户 | DISTRIBUTION SERVICE |
|----|----------------------|

|   |                  |
|---|------------------|
| 形位公差<br>□ 平面度<br>— 直线度<br>< 倾斜度<br>⊥ 垂直度<br>// 平行度<br>○ 圆度<br>⊙ 圆柱度<br>△ 面轮廓度<br>⊖ 线轮廓度<br>↻ 圆跳动<br>⊕ 位置度<br>⊗ 同轴度<br>≡ 对称度 | ASME Y14.5M 1994 |
|---|------------------|

REGAL-BELOIT CORPORATION (RBC) 在个别领域为客户提供技术支持。鉴于RBC未收到任何涉及电机使用和应用环境的数据, 电机的适用性由客户自己决定。  
 未注公差尺寸仅供参考。

|   |          |                                 |
|---|----------|---------------------------------|
| 绘图:   | J RUPERT | 05-10-2011                      |
| 批准:   | J RUPERT | 05-10-2011                      |
| 第三角投影   |          | 图纸格式发布日期 11-11-2011<br>图纸格式版本 H |
| 机密: 本图纸及相关信息所有权归REGAL-BELOIT CORPORATION。未经REGAL-BELOIT CORPORATION书面授权, 不得泄露、复制、传播或作其他用途。—版权所有 |          |                                 |

|                                       |                            |
|---------------------------------------|----------------------------|
| <b>REGAL</b> REGAL-BELOIT CORPORATION |                            |
| 名称                                    | MODEL-RFHP-48FR<br>OUTLINE |
| 图幅                                    | C                          |
| 图号                                    | DLR1026S                   |
| 比例                                    | NONE                       |
| 页号                                    | 1                          |

4

3

2

1

4

3

2

1

|     |         |         |            |                |            |
|-----|---------|---------|------------|----------------|------------|
| REV | ECO     | REV BY  | DATE       | APPD           | DATE       |
| C   | 0028421 | P.ROJAS | 11-15-2012 | TERESITA REYES | 11-15-2012 |

GENERAL INFORMATION:

SHAFT RUNOUT: .001 [.03] T.I.R. PER INCH LENGTH OF EXTENSION

END PLAY: .010 TO .063 [.25 TO 1.60]

BEARINGS: SLEEVE

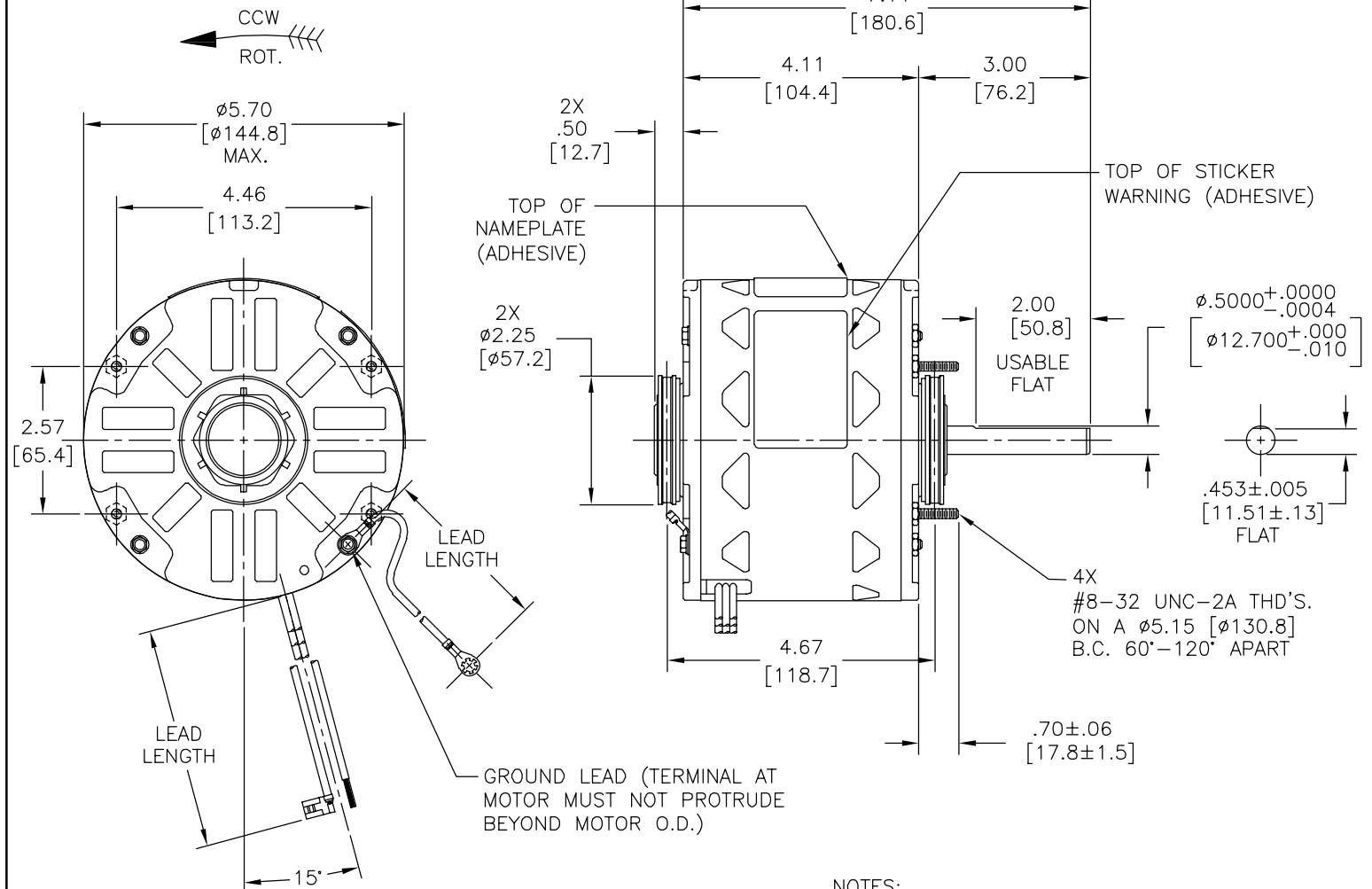
MOUNTING POSITION: HORIZONTAL

ELECTRICAL DATA:

OVERLOAD PROTECTOR: AUTOMATIC RESET (SENSATA 7AM 036)

LEADS: NO. 18 GA., .06 [1.5] THK. PVC 105°C INSULATION.

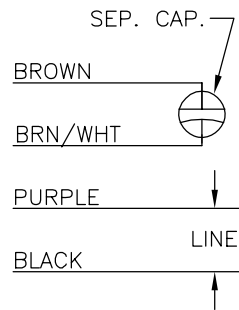
GROUND LEAD: NO. 18 GA., .03 [.8] THK. (GREEN) INSULATION.



NAMEPLATE DATA:

EXTERNAL CONNECTION DIAGRAM

MODEL NO.: F48V53A01  
 CUST. P/N: SEE NOTE 2  
 HP: 1/4  
 ROT.: CCWLE  
 RPM: 1075  
 TYPE: UF  
 FRAME: 48Y  
 VOLTS: 115  
 PH: 1  
 AMPS: 3.6  
 HZ: 60  
 INS.: B  
 AMB.: 40° C  
 DUTY: AIR OVER  
 CAP.: 5 MFD/370 V  
 ENCL: OPEN  
 UL LOGO  
 CSA LOGO  
 THERMALLY PROTECTED



614131-247

|                |                     |                          |
|----------------|---------------------|--------------------------|
| GREEN (GROUND) | 12.0/13.0 [305/330] | #10 EYELET               |
| BROWN          | 26.0/28.0 [660/711] | .25 [6.4] FLAG           |
| BROWN/WHITE    | 26.0/28.0 [660/711] | .25 [6.4] FLAG           |
| PURPLE         | 26.0/28.0 [660/711] | .75 [19.1] SKIN          |
| BLACK          | 26.0/28.0 [660/711] | .75 [19.1] SKIN          |
| COLOR          | LENGTH              | TERMINAL OR STRIP LENGTH |

NOTES:

- (1) CAPACITOR 628316-307  
 (1) CAPACITOR CAP 260B913H01  
 (1) CLAMP 616672  
 (4) SPLIT RING ADAPTORS 53P26-1  
 (1) SCREW 614321-008  
 (1) CAPACITOR HOUSING 616857 TO BE PUT IN POLY BAG A PACKED SEPARATE WITH EACH MOTOR.
- DISTRIBUTION SERVICE CUST. P/N: DLR1026S  
 GRAINGER CUST. P/N: 4UU86.

|                  |      |
|------------------|------|
| MAIN FRAME - OLE | OPEN |
| END FRAME - OLE  | OPEN |
| MAIN FRAME - LE  | OPEN |
| END FRAME - LE   | OPEN |

|          |                      |
|----------|----------------------|
| CUSTOMER | DISTRIBUTION SERVICE |
|----------|----------------------|

|                       |                          |                 |                     |       |            |         |
|-----------------------|--------------------------|-----------------|---------------------|-------|------------|---------|
| PERFORMANCE CURVE NO. | TORQUE @ 1075 RPM (25°C) | APPROVED SAMPLE | UL COMPONENT FILE # | CCN # | CSA FILE # | CLASS # |
| C32388                | 20.9 OZ. FT.             | 0444591C        | E46412              | PRGY2 | LR43341    | 4211-01 |

GEOMETRIC CHARACTERISTICS & SYMBOLS  
 ▢ FLATNESS  
 - STRAIGHTNESS  
 < ANGLARITY  
 ⊥ PERPENDICULARITY (SQUARENESS)  
 // PARALLELISM  
 ○ ROUNDNESS (CIRCULARITY)  
 ⌀ CYLINDRICITY  
 △ PROFILE OF ANY SURFACE  
 ▽ PROFILE OF ANY LINE  
 ↗ RUNOUT  
 ⊕ TRUE POSITION  
 ⊙ CONCENTRICITY  
 = SYMMETRY  
 ASME Y14.5M 1994

REGAL-BELOIT CORPORATION (RBC) PROVIDES TECHNICAL ASSISTANCE TO OUR CUSTOMERS IN SEVERAL AREAS. SINCE RBC DOES NOT RECEIVE ALL DATA CONCERNING THE USE AND APPLICATION OF THE MOTOR, THE SUITABILITY OF THE MOTOR FOR THE APPLICATION MUST BE DETERMINED BY THE CUSTOMER.

DIMENSIONS WITHOUT TOLERANCES ARE FOR REFERENCE ONLY.

DR BY: J RUPERT 05-10-2011  
 APPD: J RUPERT 05-10-2011  
 THIRD ANGLE PROJECTION  
 EDS DATE 11-11-2011  
 FORMAT REV H  
 CONFIDENTIAL: THIS DRAWING AND ITS INFORMATION ARE THE EXCLUSIVE AND CONFIDENTIAL PROPERTY OF REGAL-BELOIT CORPORATION AND ARE NOT TO BE DISCLOSED, DUPLICATED, DISTRIBUTED OR OTHERWISE USED WITHOUT THE WRITTEN CONSENT OF REGAL-BELOIT CORPORATION. -ALL RIGHTS RESERVED.

**REGAL** REGAL-BELOIT CORPORATION

|             |                            |                    |
|-------------|----------------------------|--------------------|
| DESCRIPTION | MODEL-RFHP-48FR<br>OUTLINE |                    |
| SIZE        | C                          | DWG NO<br>DLR1026S |
| SCALE       | NONE                       | SHEET 1            |

4

3

2

1

4

3

2

1

INFORMACION GENERAL:

OSCILACION DE FLECHA: .001 [.03] T.I.R. PER INCH LENGTH OF EXTENSION

JUEGO AXIAL: .010 A .063 [.25 A 1.60]

BALEROS: CHUMACERA RIGIDA

POSICION DEL MONTAJE: HORIZONTAL

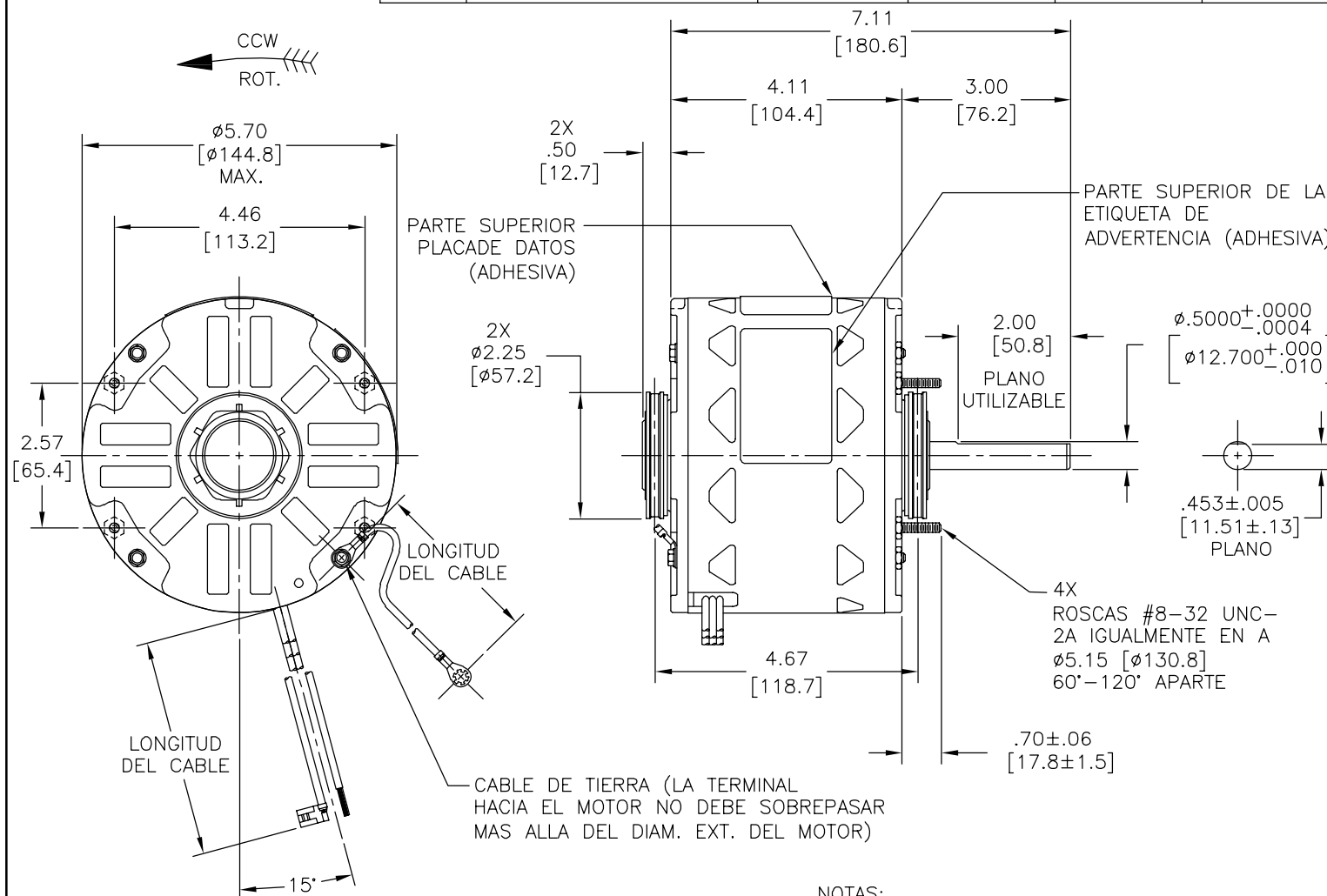
INFORMACION ELECTRICA:

PROTECTOR DE SOBRECARGA: REINICIO AUTOMATICO (SENSATA 7AM 036)

CABLES: NO. 18 GA., .06 [1.5] ESPESOR, PVC 105°C AISLANTE.

CABLE DE TIERRA: NO. 18 GA., .03 [.8] ESPESOR, (VERDE) AISLANTE.

|           |         |               |            |                |            |
|-----------|---------|---------------|------------|----------------|------------|
| REVISION: | ECO     | REVISADO POR: | FECHA:     | APROBADO POR:  | FECHA:     |
| C         | 0028421 | P.ROJAS       | 11-15-2012 | TERESITA REYES | 11-15-2012 |

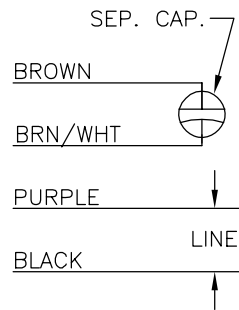


NOTAS:

- (1) CAPACITOR 628316-307  
 (1) CAPACITOR CAP 260B913H01  
 (1) MORDAZA 616672  
 (4) ANILLO HENDER ADAPTADOR 53P26-1  
 (1) TORNILLO 614321-008  
 (1) CUBIERTA DEL CAPACITOR 616857  
 PONER EN BOLSA DE PLASTICO UN PAQUETE SEPARADO CON CADA MOTOR.
- SERVICIO DE DISTRIBUCION DE CLIENTE  
 CUST. P/N: DLR1026S  
 GRAINGER CUST. P/N: 4UU86.

INFORMACION DE ETIQUETA:      DIAGRAMA DE CONEXION EXTERNA

MODEL NO.: F48V53A01  
 CUST. P/N: SEE NOTE 2  
 HP: 1/4  
 ROT.: CCWLE  
 RPM: 1075  
 TYPE: UF  
 FRAME: 48Y  
 VOLTS: 115  
 PH: 1  
 AMPS: 3.6  
 HZ: 60  
 INS.: B  
 AMB.: 40° C  
 DUTY: AIR OVER  
 CAP.: 5 MFD/370 V  
 ENCL: OPEN  
 UL LOGO  
 CSA LOGO  
 THERMALLY PROTECTED



614131-247

|                          |                           |                  |               |       |          |         |
|--------------------------|---------------------------|------------------|---------------|-------|----------|---------|
| CURVAS DE FUNCIONAMIENTO | TORSION @ 1075 RPM (25°C) | MUESTRA APROBADA | COMPONENTE UL |       | CSA      |         |
|                          |                           |                  | #ARCHIVO      | CCN # | #ARCHIVO | CLASE # |
| C32388                   | 20.9 OZ. FT.              | 0444591C         | E46412        | PRGY2 | LR43341  | 4211-01 |

|                |                     |                                 |
|----------------|---------------------|---------------------------------|
| VERDE (TIERRA) | 12.0/13.0 [305/330] | OJAL #10                        |
| CAFE           | 26.0/28.0 [660/711] | .25 [6.4] BANDERA               |
| CAFE/BLANCO    | 26.0/28.0 [660/711] | .25 [6.4] BANDERA               |
| PURPURA        | 26.0/28.0 [660/711] | .75 [19.1] DESFORRE             |
| NEGRO          | 26.0/28.0 [660/711] | .75 [19.1] DESFORRE             |
| COLOR          | LONGITUD            | TERMINAL O LONGITUD DE DESFORRE |

|               |         |
|---------------|---------|
| CARCASA - LOC | ABIERTO |
| TAPA - LOC    | ABIERTO |
| CARCASA - LC  | ABIERTO |
| TAPA - LC     | ABIERTO |

|         |                      |
|---------|----------------------|
| CLIENTE | DISTRIBUTION SERVICE |
|---------|----------------------|

CARACTERISTICAS DE GEOMETRIA Y SIMBOLOS  
 ▽ PLANICIDAD  
 — RECTITUD  
 < ANGULARIDAD  
 ⊥ PERPENDICULARIDAD (A ESCUADRA)  
 // PARALELISMO  
 ○ REDONDEZ (CIRCULARIDAD)  
 ∅ CILINDRICIDAD  
 △ PERFIL DE CUALQUIER SUPERFICIE  
 ∩ PERFIL DE CUALQUIER LINEA  
 ↗ VARIACION  
 ⊕ POSICION REAL  
 ⊙ CONCENTRICIDAD  
 = SIMETRIA

REGAL-BELOIT CORPORATION (RBC) PROVEE ASISTENCIA TECNICA A NUESTROS CLIENTES EN VARIAS AREAS. DESDE QUE RBC NO RECIBE TODOS LOS DATOS EN RELACION AL USO Y A LA APLICACION DEL MOTOR, LA APLICACION ADECUADA DEL MOTOR DEBE SER DETERMINADA POR EL CLIENTE.

DIMENSIONES SIN TOLERANCIA SON DE REFERENCIA SOLAMENTE

ASME Y14.5M 1994

DIBUJADO POR: J RUPERT  
 APROBADO POR: J RUPERT  
 TERCER ANGULO DE PROYECCION

05-10-2011  
 05-10-2011  
 FECHA EDS: 11-11-2011  
 REV. FORMATO: H

CONFIDENCIAL: ESTE DIBUJO Y SU INFORMACION SON PROPIEDAD DE USO EXCLUSIVO Y CONFIDENCIAL DE REGAL-BELOIT CORPORATION. Y NO DEBERAN SER REVELADOS, DUPLICADOS, DISTRIBUIDOS O USARSE DE OTRA MANERA SIN EL CONSENTIMIENTO ESCRITO DE REGAL-BELOIT CORPORATION. -TODOS LOS DERECHOS RESERVADOS.

**REGAL** REGAL-BELOIT CORPORATION

DESCRIPCION: MODEL-RFHP-48FR OUTLINE  
 TAMAÑO: C NUMERO DE DIBUJO: DLR1026S  
 ESCALA: NONE HOJA: 1

4

3

2

1