

4

3

2

1

REV	ECO	REV BY	DATE	APPD	DATE
B	0025529	J.M.RAMIREZ	04-24-2012	R.RASCON	04-24-2012

GENERAL INFORMATION:

SHAFT RUNOUT: .001 [.03] T.I.R. PER INCH[25.4mm]  
LENGTH OF EXTENSION

END PLAY: .010[.25] TO .063[1.60]

BEARINGS: SLEEVE

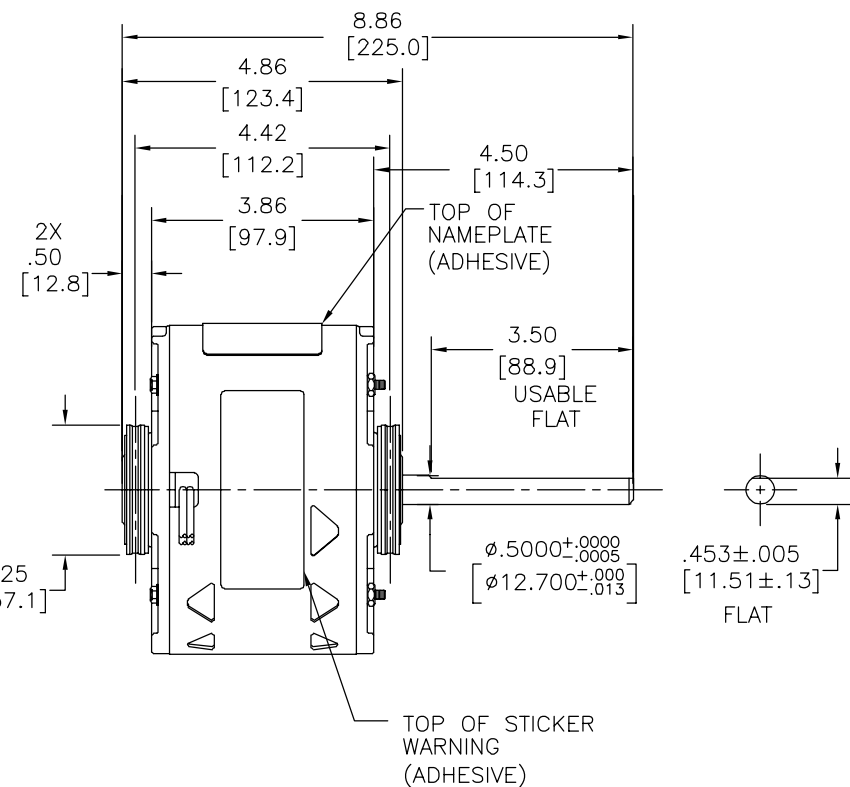
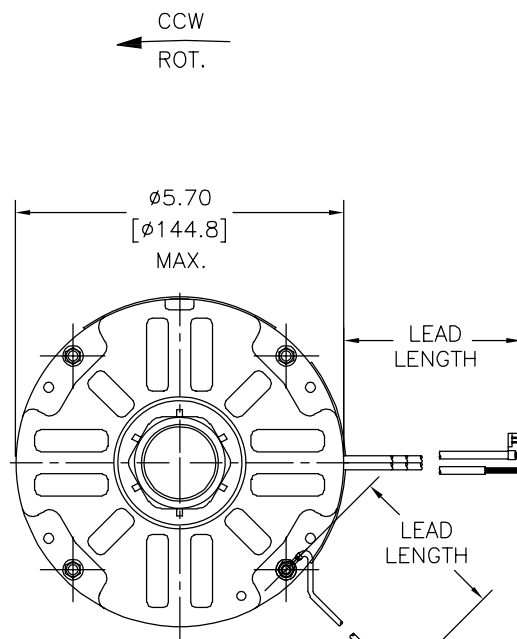
MOUNTING POSITION: HORIZONTAL

ELECTRICAL DATA:

OVERLOAD PROTECTOR: AUTOMATIC RESET (T.I. 7AM 036)

LEADS: NO. 18 GA., .06 [1.5] THK., PVC 105°C INSUL.

GROUND LEAD: NO. 18 GA., .03 [.8] THK., GRN/YEL INSUL.



GROUND LEAD (TERMINAL AT MOTOR MUST NOT PROTRUDE BEYOND MOTOR O.D.).

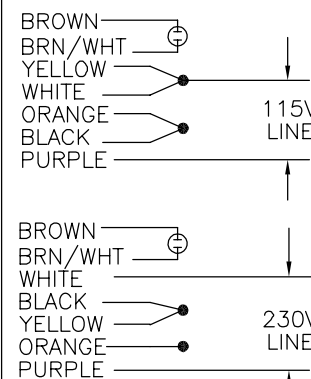
NOTE:  
1. DISTRIBUTION SERVICE  
PART NUMBER: 9699  
GRAINGER PART NUMBER:  
4UU66

NAMEPLATE DATA:

MODEL NO.: F48V22A01  
CUST. P/N: [ ]  
HP: 1/6  
ROT.: CCWLE  
RPM: 1550  
TYPE: UF  
FRAME: 48Y  
VOLTS: 115/208-230  
PH: 1  
AMPS: 2.8/1.4-1.4  
HZ: 50/60  
INS.: B  
AMB.: 40°C  
DUTY: AIR OVER  
CAP: 10 MFD/370V  
ENCL: SEMI-ENCLOSED  
UL LOGO  
CSA LOGO  
THERMALLY PROTECTED

SEE NOTE 1

EXTERNAL CONNECTION DIAGRAM



614131-315

GRN/YEL(GRD)	11.0/13.0 [279/330]	#10 EYELET
BROWN	11.0/13.0 [279/330]	.25 [6.4] FLAG
BROWN/WHITE	11.0/13.0 [279/330]	.25 [6.4] FLAG
WHITE	11.0/13.0 [279/330]	.50 [12.7] STRIP
BLACK	11.0/13.0 [279/330]	.50 [12.7] STRIP
PURPLE	11.0/13.0 [279/330]	.50 [12.7] STRIP
ORANGE	11.0/13.0 [279/330]	.50 [12.7] STRIP
YELLOW	11.0/13.0 [279/330]	.50 [12.7] STRIP
COLOR	LENGTH	TERMINAL OR STRIP LENGTH

LEAD DATA

MAIN FRAME - OLE	SEMI-ENCLOSED
END FRAME - OLE	OPEN
MAIN FRAME - LE	SEMI-ENCLOSED
END FRAME - LE	OPEN

CUSTOMER	DISTRIBUTION SERVICE
----------	----------------------

PERFORMANCE CURVE NO.	TORQUE @ 1550 RPM (25°C)	APPROVED SAMPLE	UL COMPONENT FILE #	CCN #	CSA FILE #	CLASS #
C32328	12.9 OZ. FT.	0442801B	E46412	PRGY2	LR43341	4211-01

GEOMETRIC CHARACTERISTICS & SYMBOLS  
 ▮ FLATNESS  
 - STRAIGHTNESS  
 < ANGLARITY  
 ⊥ PERPENDICULARITY (SQUARENESS)  
 // PARALLELISM  
 ○ ROUNDNESS (CIRCULARITY)  
 ∅ CYLINDRICITY  
 △ PROFILE OF ANY SURFACE  
 ∩ PROFILE OF ANY LINE  
 ↑ RUNOUT  
 ⊕ TRUE POSITION  
 ⊙ CONCENTRICITY  
 = SYMMETRY  
 ASME Y14.5M 1994

REGAL-BELOIT CORPORATION (RBC) PROVIDES TECHNICAL ASSISTANCE TO OUR CUSTOMERS IN SEVERAL AREAS. SINCE RBC DOES NOT RECEIVE ALL DATA CONCERNING THE USE AND APPLICATION OF THE MOTOR, THE SUITABILITY OF THE MOTOR FOR THE APPLICATION MUST BE DETERMINED BY THE CUSTOMER.

DIMENSIONS WITHOUT TOLERANCES ARE FOR REFERENCE ONLY.

DR BY: A.SUN 11-29-2011  
 APPD: B.SHEN 11-29-2011  
 THIRD ANGLE PROJECTION  
 CONFIDENTIAL: THIS DRAWING AND ITS INFORMATION ARE THE EXCLUSIVE AND CONFIDENTIAL PROPERTY OF REGAL-BELOIT CORPORATION AND ARE NOT TO BE DISCLOSED, DUPLICATED, DISTRIBUTED OR OTHERWISE USED WITHOUT THE WRITTEN CONSENT OF REGAL-BELOIT CORPORATION. -ALL RIGHTS RESERVED.



DESCRIPTION: MODEL-RFHP-48FR OUTLINE  
 SIZE: C DWG NO: 9699  
 SCALE: NONE SHEET: 1

4

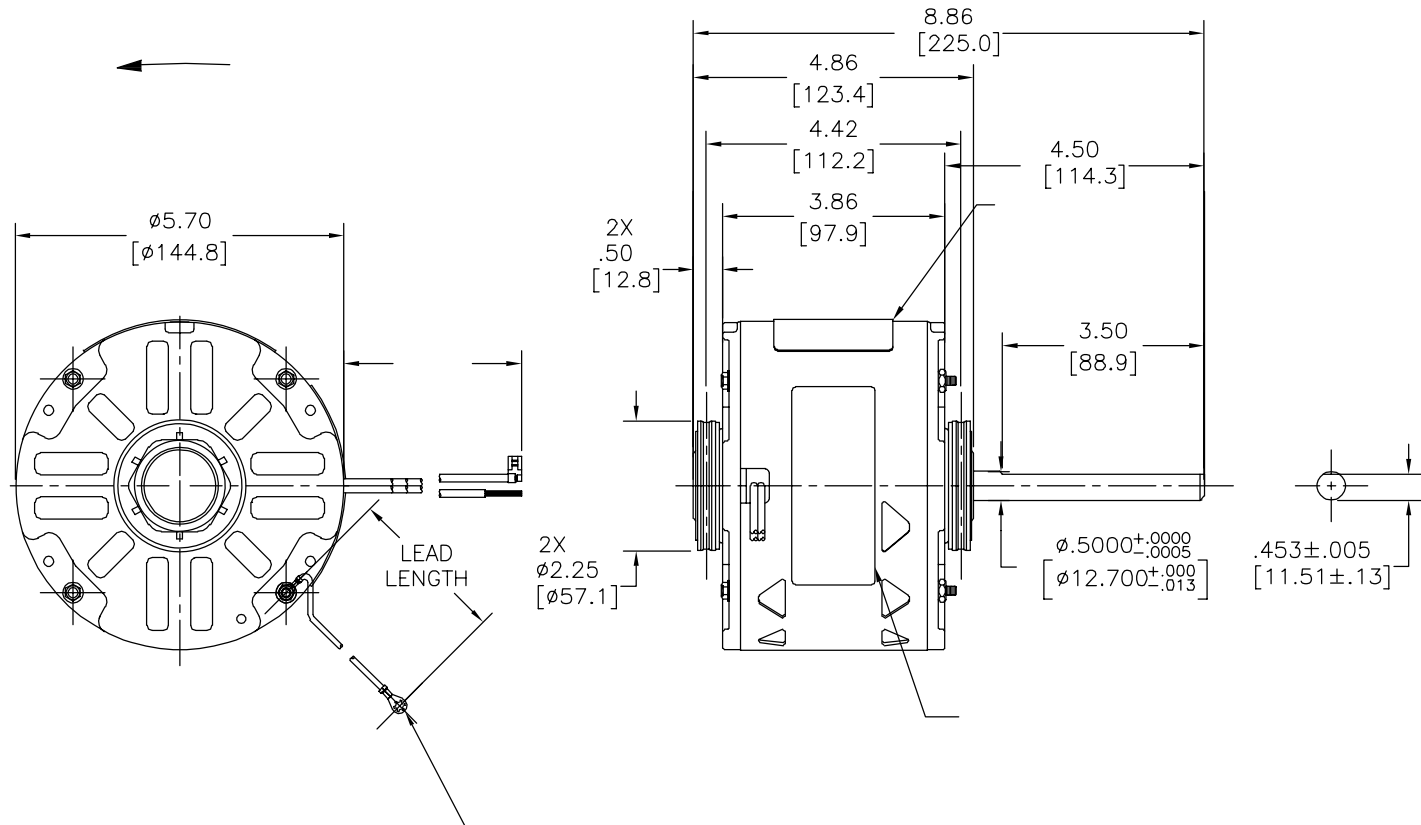
3

2

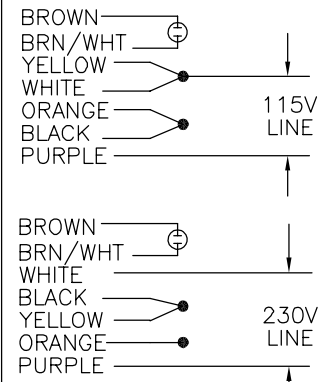
1

REVISION:	ECO	REVISADO POR:	FECHA:	APROBADO POR:	FECHA:
B	0025529	J.M.RAMIREZ	04-24-2012	R.RASCON	04-24-2012

.001 [.03] T.I.R. PER INCH[25.4mm]  
LENGTH OF EXTENSION



MODEL NO.: F48V22A01  
CUST. P/N: [ ]  
HP: 1/6  
ROT.: CCWLE  
RPM: 1550  
TYPE: UF  
FRAME: 48Y  
VOLTS: 115/208-230  
PH: 1  
AMPS: 2.8/1.4-1.4  
HZ: 50/60  
INS.: B  
AMB.: 40°C  
DUTY: AIR OVER  
CAP: 10 MFD/370V  
ENCL: SEMI-ENCLOSED  
UL LOGO  
CSA LOGO  
THERMALLY PROTECTED



614131-315

	11.0/13.0	
	[279/330]	
	11.0/13.0	.25 [6.4]
	[279/330]	
	11.0/13.0	.25 [6.4]
	[279/330]	
	11.0/13.0	.50 [12.7]
	[279/330]	
	11.0/13.0	.50 [12.7]
	[279/330]	
	11.0/13.0	.50 [12.7]
	[279/330]	
	11.0/13.0	.50 [12.7]
	[279/330]	


DISTRIBUTION SERVICE

CARACTERISTICAS DE GEOMETRIA Y SIMBOLOS  
 ▧ PLANICIDAD  
 — RECTITUD  
 < ANGULARIDAD  
 ⊥ PERPENDICULARIDAD (A ESCUADRA)  
 // PARALELISMO  
 ○ REDONDEZ (CIRCULARIDAD)  
 ∅ CILINDRICIDAD  
 △ PERFIL DE CUALQUIER SUPERFICIE  
 ∩ PERFIL DE CUALQUIER LINEA  
 ↗ VARIACION  
 ⊕ POSICION REAL  
 ⊙ CONCENTRICIDAD  
 = SIMETRIA  
 ASME Y14.5M 1994

REGAL-BELOIT CORPORATION (RBC)  
 PROVEE ASISTENCIA TECNICA A  
 NUESTROS CLIENTES EN VARIAS AREAS.  
 DESDE QUE RBC NO RECIBE TODOS  
 LOS DATOS EN RELACION AL USO Y A  
 LA APLICACION DEL MOTOR, LA  
 APLICACION ADECUADA DEL MOTOR  
 DEBE SER DETERMINADA POR EL  
 CLIENTE.

DIMENSIONES SIN TOLERANCIA SON  
 DE REFERENCIA SOLAMENTE

DIBUJADO POR:  
 A.SUN  
 11-29-2011  
 APROBADO POR:  
 B.SHEN  
 11-29-2011

TERCER ANGULO DE PROYECCION  
 CONFIDENCIAL: ESTE DIBUJO Y SU INFORMACION SON PROPIEDAD DE USO EXCLUSIVO Y CONFIDENCIAL DE REGAL-BELOIT CORPORATION. Y NO DEBERAN SER REVELADOS, DUPLICADOS, DISTRIBUIDOS O USARSE DE OTRA MANERA SIN EL CONSENTIMIENTO ESCRITO DE REGAL-BELOIT CORPORATION. -TODOS LOS DERECHOS RESERVADOS.



DESCRIPCION:  
**MODEL-RFHP-48FR  
 OUTLINE**  
 TAMAÑO: C NUMERO DE DIBUJO: 9699  
 ESCALA: NONE HOJA: 1

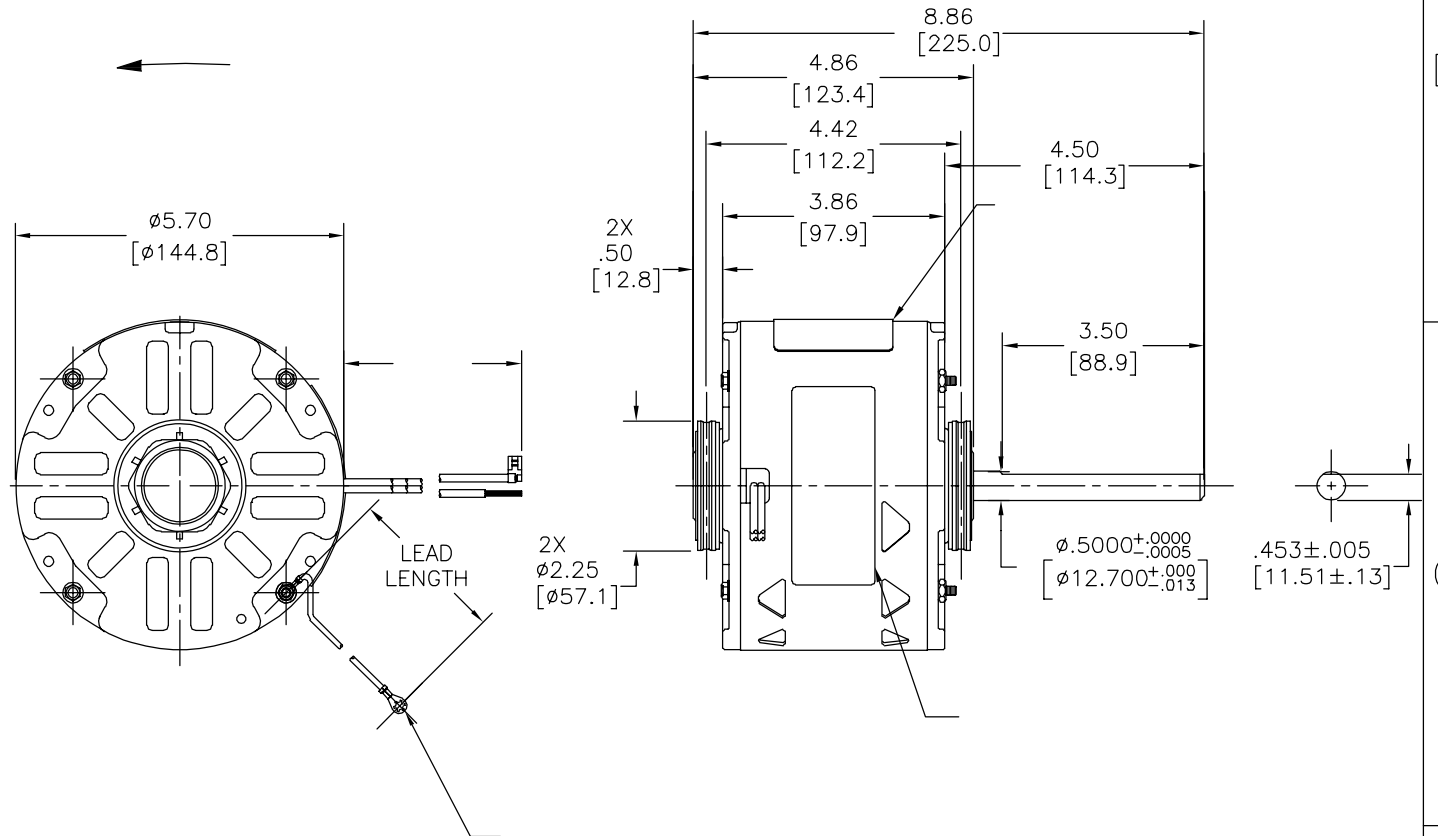
C32328	12.9 OZ. FT.	0442801B	E46412	PRGY2	LR43341	4211-01
--------	--------------	----------	--------	-------	---------	---------

CSA

4 3 2 1

版本	ECO	编制	日期	批准	日期
B	0025529	J.M.RAMIREZ	04-24-2012	R.RASCON	04-24-2012

.001 [.03] T.I.R. PER INCH[25.4mm]  
LENGTH OF EXTENSION



MODEL NO.: F48V22A01  
CUST. P/N: [ ]

HP: 1/6  
ROT.: CCWLE  
RPM: 1550  
TYPE: UF  
FRAME: 48Y  
VOLTS: 115/208-230  
PH: 1  
AMPS: 2.8/1.4-1.4  
HZ: 50/60  
INS.: B  
AMB.: 40°C  
DUTY: AIR OVER  
CAP: 10 MFD/370V  
ENCL: SEMI-ENCLOSED  
UL LOGO  
CSA LOGO  
THERMALLY PROTECTED

614131-315

115V LINE

230V LINE

	11.0/13.0	
	[279/330]	
	11.0/13.0	.25 [6.4]
	[279/330]	
	11.0/13.0	.25 [6.4]
	[279/330]	
	11.0/13.0	.50 [12.7]
	[279/330]	
	11.0/13.0	.50 [12.7]
	[279/330]	
	11.0/13.0	.50 [12.7]
	[279/330]	
	11.0/13.0	.50 [12.7]
	[279/330]	

					CSA
C32328	12.9 OZ. FT.	0442801B	E46412	PRGY2	LR43341 4211-01

- 形位公差
- 平面度
- 直线度
- ∠ 倾斜度
- ⊥ 垂直度
- // 平行度
- 圆度
- ⊘ 圆柱度
- △ 面轮廓度
- ∩ 线轮廓度
- ↗ 圆跳动
- ⊕ 位置度
- ⊙ 同轴度
- ≡ 对称度

ASME Y14.5M 1994

REGAL-BELOIT CORPORATION (RBC) 在个别领域为客户提供技术支持。鉴于RBC未收到任何涉及电机使用和应用环境的数据，电机的适用性由客户自己决定。

未注公差尺寸仅供参考。

绘图:	A.SUN	11-29-2011
批准:	B.SHEN	11-29-2011
第三角投影		图纸格式发布日期 11-11-2011 图纸格式版本 G
机密: 本图纸及相关信息所有权归REGAL-BELOIT CORPORATION。未经REGAL-BELOIT CORPORATION书面授权, 不得泄露、复制、传播或作其他用途。—版权所有		

REGAL-BELOIT CORPORATION

名称: MODEL-RFHP-48FR OUTLINE

图幅: C 图号: 9699

比例: NONE 页号: 1

4 3 2 1