

4

3

2

1

GENERAL INFORMATION:

SHAFT RUNOUT: .001[.03] T.I.R. PER INCH LENGTH OF EXTENSION.

END PLAY: .010[.25] TO .063[1.60]

BEARINGS: SLEEVE

MOUNTING POSITION: HORIZONTAL

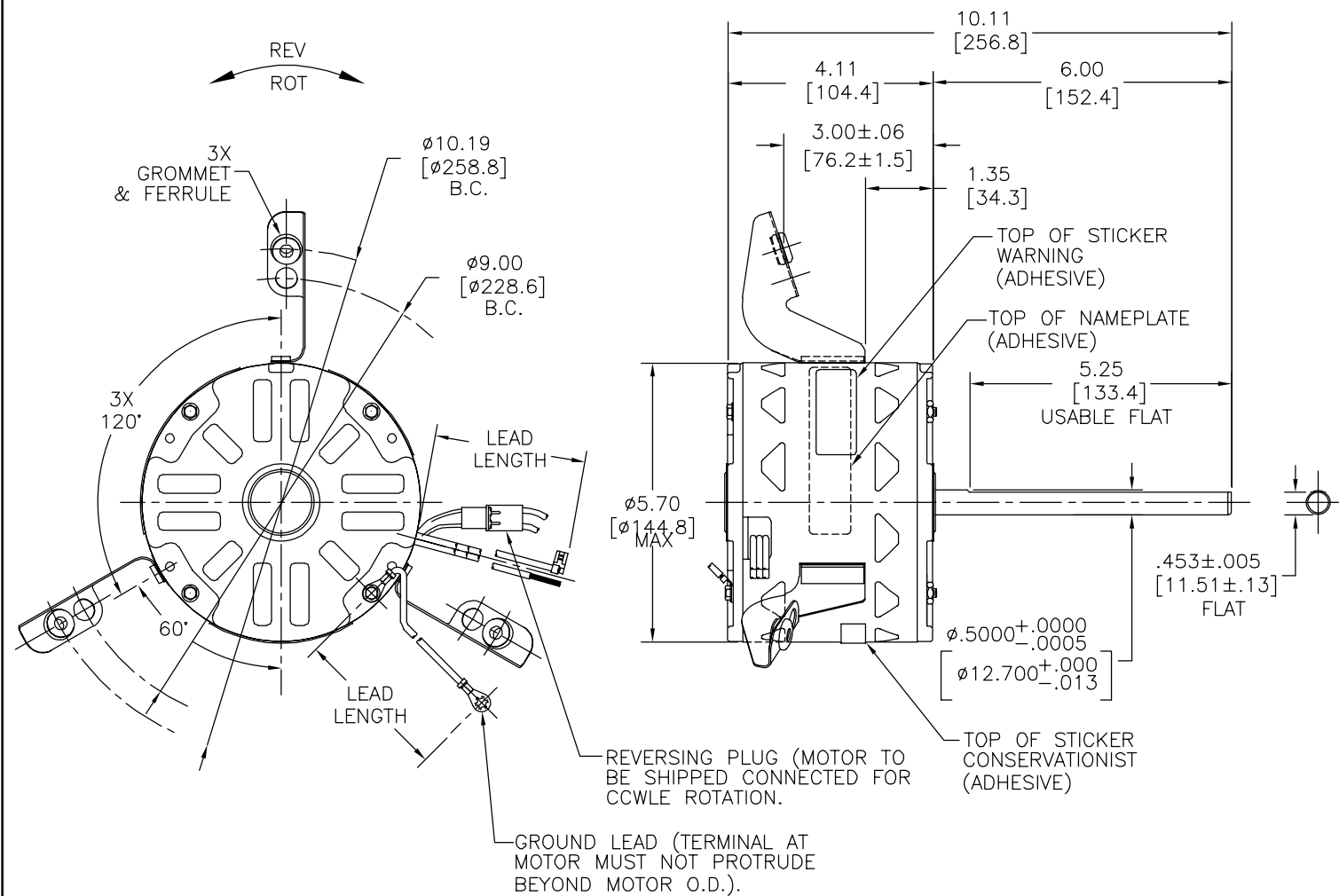
ELECTRICAL DATA:

OVERLOAD PROTECTOR: AUTOMATIC RESET (SENSATA 7AM 036)

LEADS: NO. 18 GA., .03[.8] THK., 125°C INSUL.

REVERSING LEADS:

GROUND LEAD: NO. 18 GA., .03[.8] THK., (GREEN) INSUL.



NAMEPLATE DATA:	EXTERNAL CONNECTION DIAGRAM
MODEL NO.: F48N84A01 CUST. P/N: FML1026 HP: 1/4 ROT.: REVERSIBLE RPM: 1075/3 SPD TYPE: UF FRAME: 48Y VOLTS: 115 PH: 1 AMPS: 3.7 HZ: 60 INS.: B AMB.: 50° C DUTY: AIR OVER CAP.: 7.5 MFD/370V ENCL: OPEN UL LOGO CSA LOGO THERMALLY PROTECTED	

LEAD DATA		
COLOR	LENGTH	TERMINAL OR STRIP LENGTH
RED	26.0/28.0 [660/711]	.50[12.7] SKIN
BLUE	26.0/28.0 [660/711]	.50[12.7] SKIN
BLACK	26.0/28.0 [660/711]	.50[12.7] SKIN
YELLOW	26.0/28.0 [660/711]	.50[12.7] SKIN
BROWN	26.0/28.0 [660/711]	.25[6.4] FLAG
BROWN/WHITE	26.0/28.0 [660/711]	.25[6.4] FLAG
BLACK/WHITE	3.0/5.0 [76/127]	REVERSING PLUG
GREEN(GRD)	12.0/13.0 [305/330]	#10 EYELET

REGAL-BELOIT CORPORATION (RBC) PROVIDES TECHNICAL ASSISTANCE TO OUR CUSTOMERS IN SEVERAL AREAS. SINCE RBC DOES NOT RECEIVE ALL DATA CONCERNING THE USE AND APPLICATION OF THE MOTOR, THE SUITABILITY OF THE MOTOR FOR THE APPLICATION MUST BE DETERMINED BY THE CUSTOMER.

DIMENSIONS WITHOUT TOLERANCES ARE FOR REFERENCE ONLY.

ENCLOSURE	
END FRAME - LE	OPEN
MAIN FRAME - LE	OPEN
END FRAME - OLE	OPEN
MAIN FRAME - OLE	OPEN

CUSTOMER DIST. SERVICES

PERFORMANCE CURVE NO.	TORQUE @ 1075 RPM (25°C)	APPROVED SAMPLE	UL COMPONENT FILE #	CCN #	CSA FILE #	CLASS #
C31882	22.5 OZ. FT.	99AC398A	E46412	PRGY2	LR43341	4211-01

DRAWING REVISION	REVISION BY	DATE
E	J. COX	11-20-2013
ECO-0041020	C. McREYNOLDS	11-20-2013

ECO DESCRIPTION
CHANGE AMPS

COPYRIGHT REGAL-BELOIT AMERICA, INC. ALL RIGHTS RESERVED. PROPRIETARY AND CONFIDENTIAL INFORMATION - THIS DOCUMENT IS THE PROPERTY OF REGAL-BELOIT AMERICA, INC. (OWNER) AND CONTAINS OWNER'S PROPRIETARY INFORMATION. ANY PERSON, CORPORATION OR OTHER FIRM RECEIVING IT IS DEEMED, BY RECEIVING IT, TO AGREE THAT IT, AND/OR ANY PART OF IT, SHALL NOT BE DISCLOSED TO ANY PERSON, CORPORATION OR OTHER ENTITY, DUPLICATED, AND/OR USED, EXCEPT AS EXPRESSLY APPROVED IN WRITING IN ADVANCE BY OWNER. THIS DOCUMENT SHALL BE RETURNED TO OWNER UPON REQUEST. IT MAY BE SUBJECT TO CERTAIN RESTRICTIONS UNDER APPLICABLE EXPORT CONTROL LAWS AND REGULATIONS.

DRAWN BY: J. ZHU	DATE: 04-07-2012	DESCRIPTION: MODEL-RFHP-48FR OUTLINE
APPROVED BY: B. SHEN	DATE: 04-07-2012	MATERIAL: -
PROCESS/FINISH: -	THIRD ANGLE PROJECTION	SIZE DWG NO: C FML1026
		SHEET 1

4

3

2

1