

4

3

2

1

GENERAL INFORMATION:

SHAFT RUNOUT: .001[.025] T.I.R. PER 1.00[25.40] LENGTH OF EXTENSION

END PLAY: .010 TO .063 [.254 TO 1.600]

BEARINGS: SLEEVE

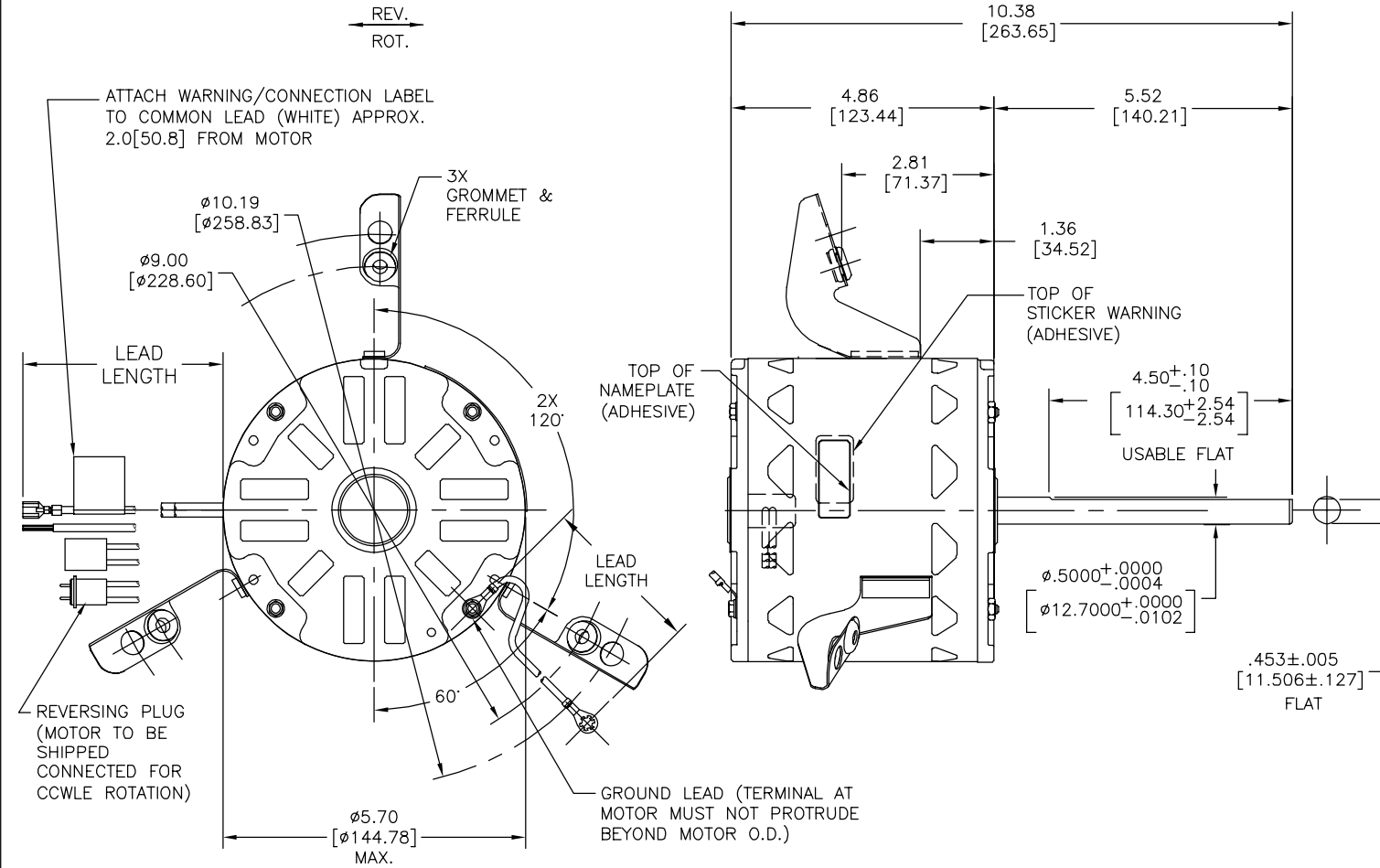
MOUNTING POSITION: HORIZONTAL

ELECTRICAL DATA:

OVERLOAD PROTECTOR: AUTOMATIC RESET (T.I. 7AM 036)

LEADS: NO. 18 GA., .03[.76] THK. 125°C INSUL.

GROUND LEAD: NO. 18 GA., .03[.76] THK. GREEN/YELLOW INSUL.



NAMEPLATE DATA:	EXTERNAL CONNECTION DIAGRAM
MODEL NO.: F48Y61A01 CUST. P/N: 753A HP: 1/3 ROT.: REV. RPM: 1075/4 SPD. TYPE: UF FRAME: 48 VOLTS: 115 PH: 1 AMPS: 5.6 HZ: 60 INS.: B AMB.: 40° C DUTY: AIR OVER CAP.: 5 MFD/370 V ENCL.: OPEN UL LOGO CSA LOGO THERMALLY PROTECTED	

GREEN/YE(GRD)	11.0/13.0 [279.4/330.2]	#10 EYELET
BLACK/WHITE	3.0/5.0 [76.2/127.0]	REVERSING PLUG
BROWN/WHITE	24.0/26.0 [609.6/660.4]	.25[6.35] FEMALE SPADE
BROWN	24.0/26.0 [609.6/660.4]	.25[6.35] FEMALE SPADE
WHITE	24.0/26.0 [609.6/660.4]	.50[12.70] / SKIN
BLACK	24.0/26.0 [609.6/660.4]	.50[12.70] / SKIN
YELLOW	24.0/26.0 [609.6/660.4]	.50[12.70] / SKIN
BLUE	24.0/26.0 [609.6/660.4]	.50[12.70] / SKIN
RED	24.0/26.0 [609.6/660.4]	.50[12.70] / SKIN
COLOR	LENGTH	TERMINAL OR STRIP LENGTH

REGAL-BELOIT CORPORATION (RBC) PROVIDES TECHNICAL ASSISTANCE TO OUR CUSTOMERS IN SEVERAL AREAS. SINCE RBC DOES NOT RECEIVE ALL DATA CONCERNING THE USE AND APPLICATION OF THE MOTOR, THE SUITABILITY OF THE MOTOR FOR THE APPLICATION MUST BE DETERMINED BY THE CUSTOMER.

DIMENSIONS WITHOUT TOLERANCES ARE FOR REFERENCE ONLY.

MAIN FRAME - OLE	OPEN
END FRAME - OLE	OPEN
MAIN FRAME - LE	OPEN
END FRAME - LE	OPEN

CUSTOMER	DISTRIBUTION

PERFORMANCE CURVE NO.	TORQUE @ 1075 RPM (25°C)	APPROVED SAMPLE	UL COMPONENT		CSA	
			FILE #	CCN #	FILE #	CLASS #
C32640	38.4 OZ.FT	0600518A	E46412	PRGY2	LR43341	4211-01

DRAWING REVISION			REVISION BY			DATE		
A			G.ZHAO			07-21-2014		
ECD			APPROVED BY			DATE		
0053913			C.ZHOU			07-21-2014		
ECHO DESCRIPTION								
NEW MODEL RELEASE								
COPYRIGHT REGAL-BELOIT AMERICA, INC. ALL RIGHTS RESERVED. PROPRIETARY AND CONFIDENTIAL INFORMATION - THIS DOCUMENT IS THE PROPERTY OF REGAL-BELOIT AMERICA, INC. (OWNER) AND CONTAINS OWNER'S PROPRIETARY INFORMATION. ANY PERSON, CORPORATION OR OTHER FIRM RECEIVING IT IS DEEMED, BY RECEIVING IT, TO AGREE THAT IT, AND/OR ANY PART OF IT, SHALL NOT BE DISCLOSED TO ANY PERSON, CORPORATION OR OTHER ENTITY, DUPLICATED, AND/OR USED, EXCEPT AS EXPRESSLY APPROVED IN WRITING IN ADVANCE BY OWNER. THIS DOCUMENT SHALL BE RETURNED TO OWNER UPON REQUEST. IT MAY BE SUBJECT TO CERTAIN RESTRICTIONS UNDER APPLICABLE EXPORT CONTROL LAWS AND REGULATIONS.								

DRAWN BY: G.ZHAO	DATE: 07-21-2014	Regal Beloit America, Inc.
APPROVED BY: C.ZHOU	DATE: 07-21-2014	
REFERENCE: -	MATERIAL: -	DESCRIPTION: MODEL-RFHP-48FR OUTLINE
THIRD ANGLE PROJECTION	SIZE DWG NO: C	PROCESS/FINISH: -
		SHEET: 1

4

3

2

1