

4

3

2

1

REV	REFERENCE ECN	REFERENCE PROJECT	REV BY	DATE	APPD	DATE
B		03601101	Caddie	11-01-2007	ABaugh	11-20-2007

GENERAL INFORMATION:

SHAFT RUNOUT: .001 [.03] T.I.R. PER INCH LENGTH OF EXTENSION

BEARINGS: BALL

MOUNTING POSITION: HORIZONTAL

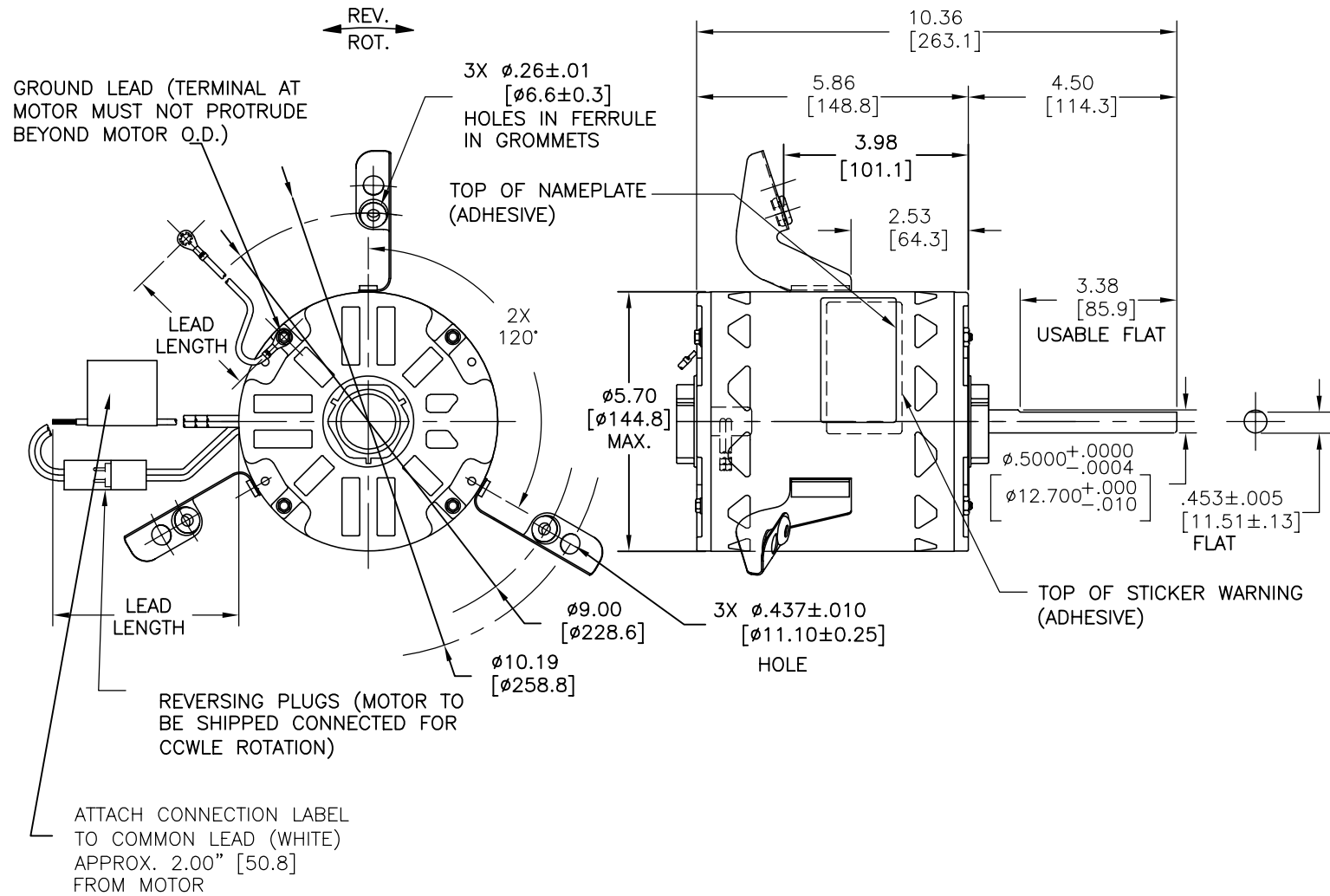
ELECTRICAL DATA:

OVERLOAD PROTECTOR: AUTOMATIC RESET (T.I. 7AM 036)

LINE LEADS: NO. 18 GA., .06 [1.5] THK. 105°C PVC INSUL.

REVERSING LEADS: NO. 18 GA., .03 [.8] THK. 125°C INSUL.

GROUND LEAD: NO. 18 GA., .03 [.8] THK. (GREEN/YELLOW) INSUL.



NAMEPLATE DATA:	EXTERNAL CONNECTION DIAGRAM
MODEL NO.: F48Z62A01 CUST. P/N: 9422V1A HP: 3/4-1/2 ROT.: REVERSIBLE RPM: 1075/2 SPD. TYPE: UF FRAME: 48Y VOLTS: 460 PH: 1 AMPS: 2.2-1.4 HZ: 60 INS.: B AMB.: 40° C DUTY: AIR OVER CAP.: 10 MFD/440 V ENCL.: OPEN UL LOGO CSA LOGO THERMALLY PROTECTED	<p>614131-368</p>

COLOR	LENGTH	TERMINAL OR STRIP LENGTH
GREEN/YELLOW (GROUND)	8.0/10.0 [203/254]	#10 EYELET
BLACK/WHITE	3.0/5.0 [76/127]	REVERSING PLUGS
BROWN	11.0/13.0 [279/330]	.50 [12.7] SKIN
RED	11.0/13.0 [279/330]	.50 [12.7] SKIN
BLACK	11.0/13.0 [279/330]	.50 [12.7] SKIN
WHITE	11.0/13.0 [279/330]	.50 [12.7] SKIN

MAIN FRAME - OLE	OPEN
END FRAME - OLE	OPEN
MAIN FRAME - LE	OPEN
END FRAME - LE	OPEN

CUSTOMER	DISTRIBUTION SERVICE
----------	----------------------

PERFORMANCE CURVE NO.	TORQUE @ 1075 RPM (25°C)	APPROVED SAMPLE	UL COMPONENT FILE #	CCN #	CSA FILE #	CLASS #
C32727	64.7 OZ. FT.	0701170A	E46412	PRGY2	LR43341	4211-01

GEOMETRIC CHARACTERISTICS & SYMBOLS

- ▮ FLATNESS
- STRAIGHTNESS
- ∠ ANGULARITY
- ⊥ PERPENDICULARITY (SQUARENESS)
- ∥ PARALLELISM
- ROUNDNESS (CIRCULARITY)
- ⊘ CYLINDRICITY
- △ PROFILE OF ANY SURFACE
- ▽ PROFILE OF ANY LINE
- ↗ RUNOUT
- ⊕ TRUE POSITION
- ◎ CONCENTRICITY
- ≡ SYMMETRY

A.O. SMITH PROVIDES TECHNICAL ASSISTANCE TO OUR CUSTOMERS IN SEVERAL AREAS. SINCE A.O. SMITH DOES NOT RECEIVE ALL DATA CONCERNING THE USE AND APPLICATION OF THE MOTOR, THE SUITABILITY OF THE MOTOR FOR THE APPLICATION MUST BE DETERMINED BY THE CUSTOMER.

DIMENSIONS WITHOUT TOLERANCES ARE FOR REFERENCE ONLY.

DR BY: CADDIE 11-01-2007

APPD:

THIRD ANGLE PROJECTION

EDS DATE 01-21-2007
FORMAT REV E

CONFIDENTIAL: THIS DRAWING AND ITS INFORMATION ARE THE EXCLUSIVE AND CONFIDENTIAL PROPERTY OF A.O. SMITH CORP. AND ARE NOT TO BE DISCLOSED, DUPLICATED, DISTRIBUTED OR OTHERWISE USED WITHOUT THE WRITTEN CONSENT OF A.O. SMITH CORP.

-ALL RIGHTS RESERVED. ASME Y14.5M 1994

A.O. SMITH ELECTRICAL PRODUCTS COMPANY TIPP CITY, OHIO		A DIVISION OF A. O. SMITH CORPORATION COPYRIGHT 1995
DESCRIPTION: OUTLINE		
SIZE: C	DWG NO: F48Z62A01	
SCALE: NONE	SHEET 1	

4

3

2

1

4

3

2

1

REVISION: B	ECN REFERENCIA:	PROYECTO REFERENCIA: 03601101	REVISADO POR: Caddie	FECHA: 11-01-2007	APROBADO POR: ABAUGH	FECHA: 11-20-2007
-------------	-----------------	-------------------------------	----------------------	-------------------	----------------------	-------------------

INFORMACION GENERAL:

OSCILACION DE FLECHA: .001 [.03] T.I.R. PER INCH LENGTH OF EXTENSION

JUEGO AXIAL: .010 A .063 [.25 A 1.60]

BALEROS: CHUMACERA RIGIDA

POSICION DEL MONTAJE: HORIZONTAL

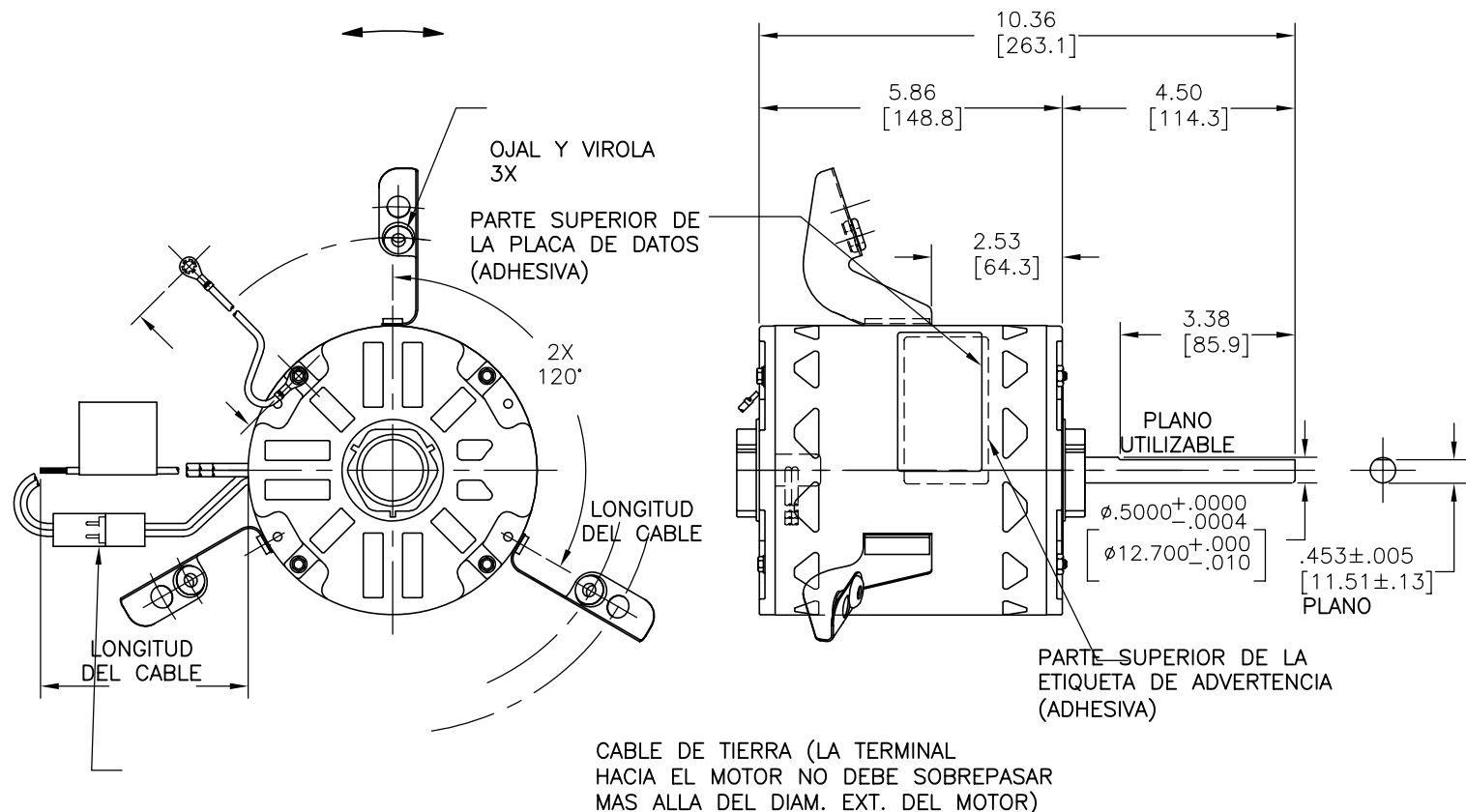
INFORMACION ELECTRICA:

PROTECTOR DE SOBRECARGA: REINICIO AUTOMATIC (T.I. 7AM 036)

CABLES: NO. 18 GA., .06 [1.5] THK. PVC 105°C AISLAM.

INVERTIR CABLES: NO. 18 GA., .03 [.8] THK. XLP 125°C AISLAM.

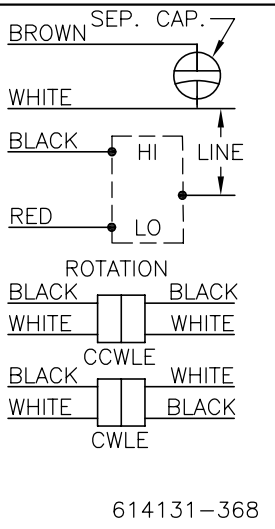
CABLE DE TIERRA: NO. 18 GA., .03 [.8] THK. (VERDE/AMARILLO) AISLAM.



INFORMACION DE ETIQUETA:

DIAGRAMA DE CONEXION EXTRNA

MODEL NO.: F48Z62A01
 CUST. P/N: 9422V1A
 HP: 3/4-1/2
 ROT.: REVERSIBLE
 RPM: 1075/2 SPD.
 TYPE: UF
 FRAME: 48Y
 VOLTS: 460
 PH: 1
 AMPS: 2.2-1.4
 HZ: 60
 INS.: B
 AMB.: 40° C
 DUTY: AIR OVER
 CAP.: 10 MFD/440 V
 ENCL.: OPEN
 UL LOGO
 CSA LOGO
 THERMALLY PROTECTED



CURVAS DE FUNCIONAMIENTO	TORSION @ 1075 RPM (25°C)	MUESTRA APROBADA	COMPONENTE UL		CSA	
			#ARCHIVO	CCN #	#ARCHIVO	CLASE #
C32727	64.7 OZ. FT.	0701170A	E46412	PRGY2	LR43341	4211-01

ATTACH CONNECTION LABEL TO COMMON LEAD (WHITE)

VERDE/AMARILLO (TIERRA) MOTOR

NEGRO/BLANCO

CAFÉ

CAFÉ/BLANCO

CAFÉ/BLANCO	8.0/10.0 [203/254]	.25 [6.4] TERMINAL ESPADE HEMBRA
ROJO	3.0/5.0 [76/127]	.50 [12.7] PIEL
AZUL	11.0/13.0 [279/330]	.50 [12.7] PIEL
AMARILLO	11.0/13.0 [279/330]	.50 [12.7] PIEL
NEGRO	11.0/13.0 [279/330]	.50 [12.7] PIEL
BLANCO	11.0/13.0 [279/330]	.50 [12.7] PIEL
COLOR	LONGITUD	TERMINAL O LONGITUD DE DESFORRE

INFORMACION DE CABLES

DE CARCASA - OLE	ABIERTO
DE TAPA - OLE	ABIERTO
DE CARCASA - LE	ABIERTO
DE TAPA - LE	ABIERTO

TIPO DE MOTOR

CLIENTE	DISTRIBUTION SERVICE
---------	----------------------

- CARACTERISTICAS DE GEOMETRIA Y SIMBOLOS**
- ▮ PLANICIDAD
 - RECTITUD
 - ∠ ANGULARIDAD
 - ⊥ PERPENDICULARIDAD (A ESCUADRA)
 - // PARALELISMO
 - REDONDEZ (CIRCULARIDAD)
 - ⊘ CILINDRICIDAD
 - △ PERFIL DE CUALQUIER SUPERFICIE
 - ∧ PERFIL DE CUALQUIER LINEA
 - ∇ VARIACION
 - ⊕ POSICION REAL
 - ◎ CONCENTRICIDAD
 - ≡ SIMETRIA

A.O. SMITH PROVEE ASISTENCIA TECNICA A NUESTROS CLIENTES EN VARIAS AREAS. DESDE QUE A.O. SMITH NO RECIBE TODOS LOS DATOS EN RELACION AL USO Y A LA APLICACION DEL MOTOR, LA APLICACION ADECUADA DEL MOTOR DEBE SER DETERMINADA POR EL CLIENTE.

DIMENSIONES SIN TOLERANCIA SON DE REFERENCIA SOLAMENTE

DIBUJADO POR: CADDIE	11-01-2007
APROBADO POR:	
TERCER ANGULO DE PROYECCION	FECHA EDS: 01-21-2007
	REV. FORMATO: E
CONFIDENCIAL: ESTE DIBUJO Y SU INFORMACION SON PROPIEDAD DE USO EXCLUSIVO Y CONFIDENCIAL DE A.O. SMITH CORP. Y NO DEBERAN SER REVELADOS, DUPLICADOS, DISTRIBUIDOS O USARSE DE OTRA MANERA SIN EL CONSENTIMIENTO ESCRITO DE A.O. SMITH CORP. -TODOS LOS DERECHOS RESERVADOS. ASME Y14.5M 1994	

A.O. SMITH A DIVISION OF A. O. SMITH CORPORATION
 ELECTRICAL PRODUCTS COMPANY
 TIPP CITY, OHIO

DESCRIPCION:

TAMAÑO: C NUMERO DE DIBUJO: F48Z62A01

ESCALA: NONE HOJA: 1

4

3

2

1

4

3

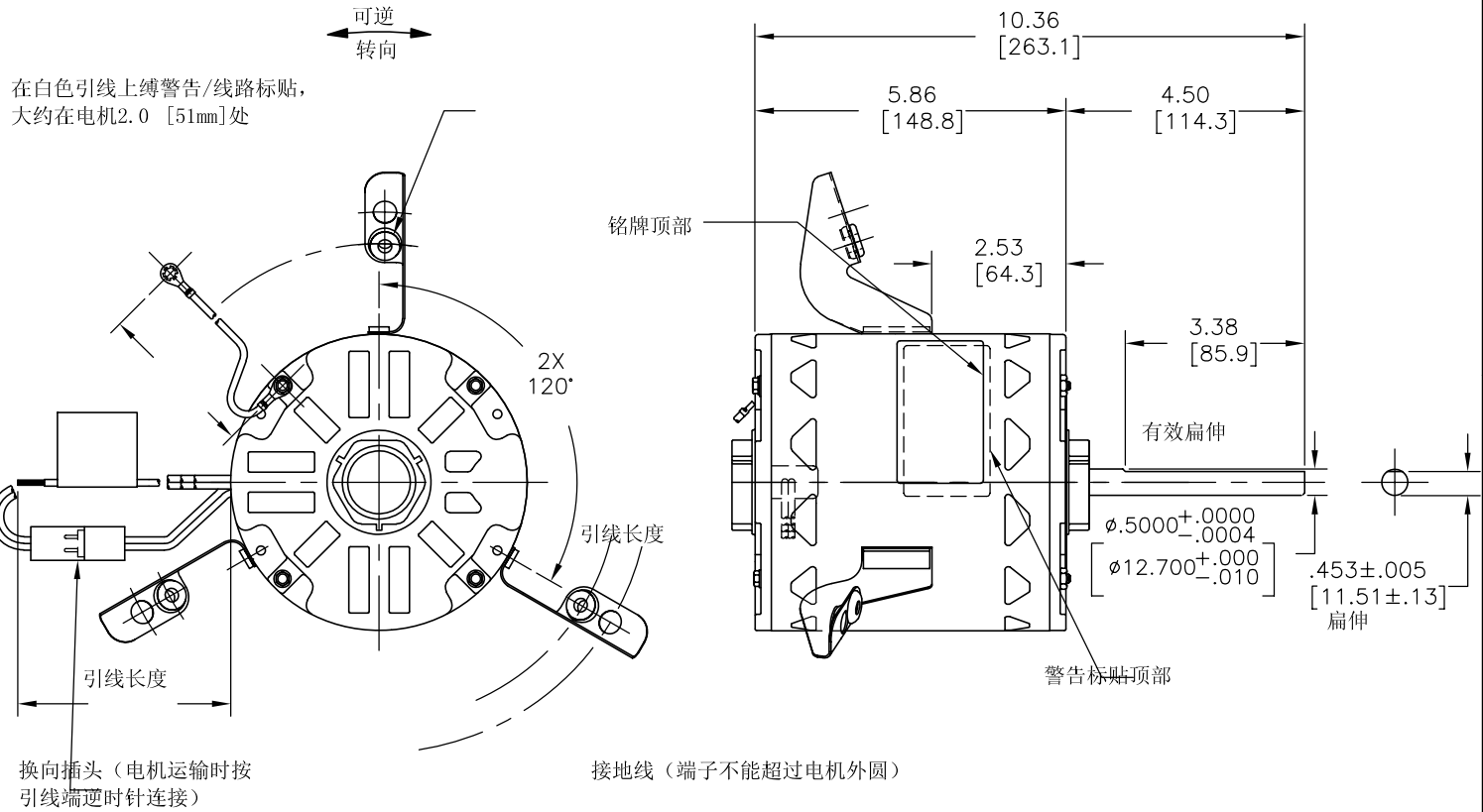
2

1

版本	更改通知号	项目号	编制	日期	批准	日期
B		03601101	Caddie	11-01-2007	ABaugh	11-20-2007

总技术要求:

轴跳动:	.001[.03]/1[25.4]外伸轴
端部窜动量	.010 到 .063 [.25 到 1.60]
轴承:	含油轴承
安装位置:	水平
电气数据:	
过载保护:	自动复位 (T. I. 7AM 036)
引线:	18# (美制标准), 厚.06 [1.5] PVC 105° C 绝缘
换向引线:	18# (美制标准), 厚.03[.8] XLP 125° C 绝缘
接地线:	18# (美制标准), 厚.03[0.8]绿色绝缘



ATTACH CONNECTION LABEL TO COMMON LEAD (WHITE) APPROX. 2.00" [50.8] FROM MOTOR

黑/白 翻边插头
棕 .25 [6.4] 母铲形插

棕/白	8.0/10.0 [203/254]	.25 [6.4] 母铲形插
红	3.0/5.0 [76/127]	.50 [12.7] 剥线长
蓝	11.0/13.0 [279/330]	.50 [12.7] 剥线长
黄	11.0/13.0 [279/330]	.50 [12.7] 剥线长
黑	11.0/13.0 [279/330]	.50 [12.7] 剥线长
白	11.0/13.0 [279/330]	.50 [12.7] 剥线长
颜色	长度	端子或剥线长度

无引线端机壳	开放
无引线端端盖	开放
有引线端机壳	开放
有引线端端盖	开放
密封性	

用户	DISTRIBUTION SERVICE
----	----------------------

铭牌数据	外部数据线
MODEL NO.: F48Z62A01 CUST. P/N: 9422V1A HP: 3/4-1/2 ROT.: REVERSIBLE RPM: 1075/2 SPD. TYPE: UF FRAME: 48Y VOLTS: 460 PH: 1 AMPS: 2.2-1.4 HZ: 60 INS.: B AMB.: 40° C DUTY: AIR OVER CAP.: 10 MFD/440 V ENCL.: OPEN UL LOGO CSA LOGO THERMALLY PROTECTED	

性能曲线编号	转矩在 @ 1075 RPM (25° C)	批准样品	UL部件		CSA	
C32727	64.7 OZ. FT.	0701170A	文件号	指南	文件号	指南
			E46412	PRGY2	LR43341	4211-01

- 形位公差
- 平面度
- 直线度
- ∠ 倾斜度
- ⊥ 垂直度
- // 平行度
- 圆度
- ⊘ 圆柱度
- ⊖ 面轮廓度
- ⊖ 线轮廓度
- ↗ 圆跳动
- ⊕ 位置度
- ⊙ 同轴度
- ≡ 对称度

A. O. SMITH在个别领域为客户提供技术支持。鉴于A. O. SMITH未收到任何涉及电机使用和应用环境的数据, 电机的适用性由客户自己决定。

未注公差尺寸仅供参考。

绘图:	CADDIE	11-01-2007
批准:		
第三角投影		图纸格式发布日期 01-21-2007 图纸格式版本 E
机密:	本图纸及相关信息所有权归A. O. SMITH公司所有。未经A. O. SMITH公司书面授权, 不得泄露、复制、传播或作其他用途。--版权所有	
ASME Y14.5M 1994		

A DIVISION OF A. O. SMITH CORPORATION ELECTRICAL PRODUCTS COMPANY TIPP CITY, OHIO COPYRIGHT 1995	
名称	
图幅	C
图号	F48Z62A01
比例	NONE
页号	1

4

3

2

1