

GENERAL INFORMATION:

SHAFT RUNOUT: .001 [.025] T.I.R. PER 1.00[25.40] OF EXTENSION

END PLAY: .010 TO .063 [.254 TO 1.600]

BEARINGS: SLEEVE

MOUNTING POSITION: ALL ANGLE

ELECTRICAL DATA:

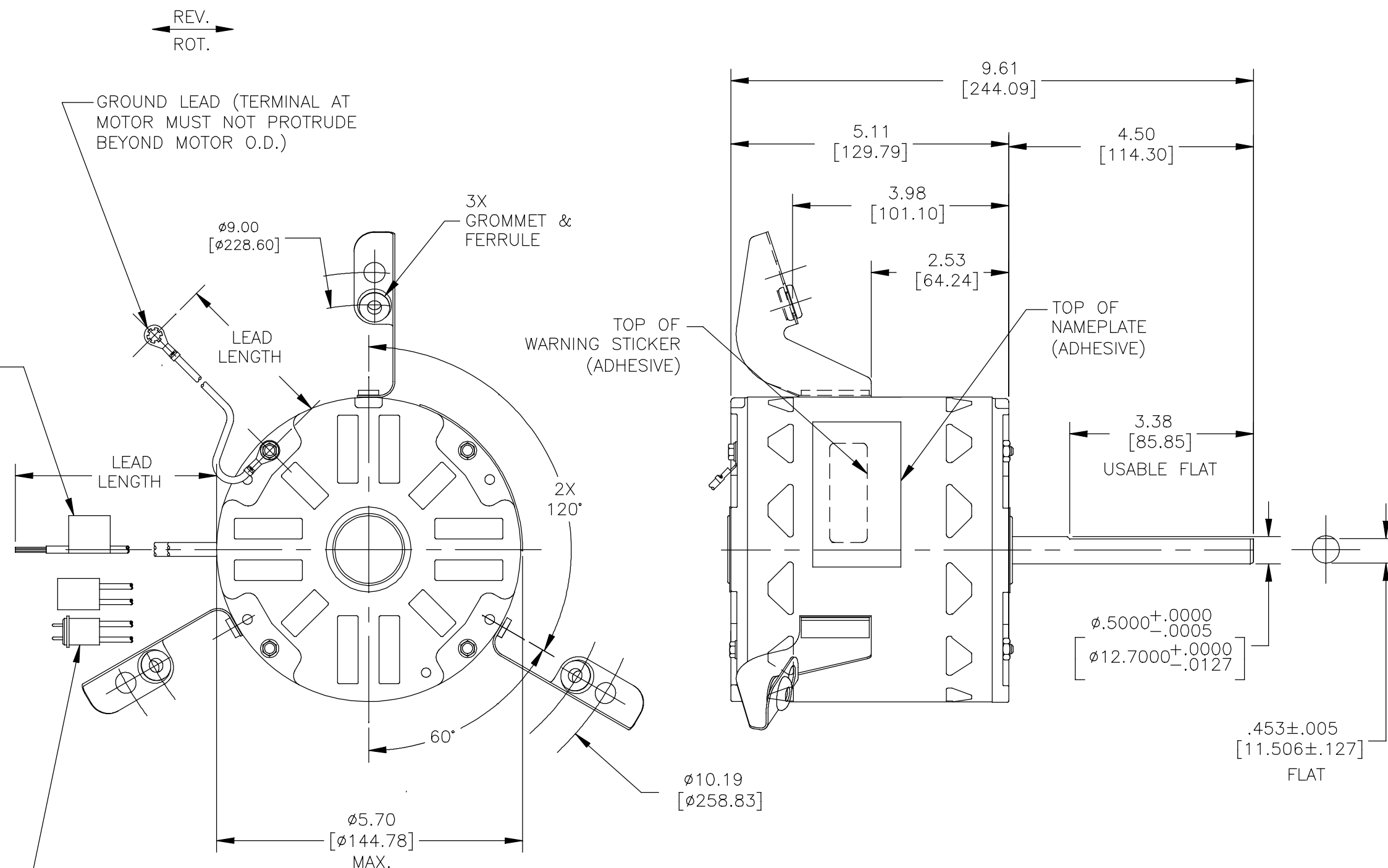
OVERLOAD PROTECTOR: AUTOMATIC RESET (T.I. 7AM 036)

LEADS: NO. 18 GA., .06 [1.52] THK. PVC 105°C INSUL.

REVERSING LEADS: NO. 18 GA., .03 [.76] THK. XLP.

GROUND LEAD: NO. 16 GA., .03 [.76] THK. GREEN/YELLOW INSUL.

CONNECTION LABEL TO COMMON LEAD (WHITE) APPROX. 2.0[50.8] FROM MOTOR (ADHESIVE)



COLOR	LENGTH	TERMINAL OR STRIP LENGTH
GREEN/YE(GRD)	8/10 [203/254]	#10 EYELET
BLACK/WHITE	3/5 [76/127]	REVERSING PLUG (MALE)
BLACK/WHITE	3/5 [76/127]	REVERSING PLUG (FEMALE)
BROWN	11/13 [279/330]	.50[12.70] / SKIN
WHITE	11/13 [279/330]	.50[12.70] / SKIN
BLACK	11/13 [279/330]	.50[12.70] / SKIN
RED	11/13 [279/330]	.50[12.70] / SKIN

REGAL-BELOIT CORPORATION (RBC) PROVIDES TECHNICAL ASSISTANCE TO OUR CUSTOMERS IN SEVERAL AREAS. SINCE RBC DOES NOT RECEIVE ALL DATA CONCERNING THE USE AND APPLICATION OF THE MOTOR, THE SUITABILITY OF THE MOTOR FOR THE APPLICATION MUST BE DETERMINED BY THE CUSTOMER.

DIMENSIONS WITHOUT TOLERANCES ARE FOR REFERENCE ONLY.

ENCLOSURE	DESCRIPTION
MAIN FRAME - OLE	OPEN
END FRAME - OLE	OPEN
MAIN FRAME - LE	OPEN
END FRAME - LE	OPEN

CUSTOMER	DISTRIBUTION SERVICE

NAMEPLATE DATA:	EXTERNAL CONNECTION DIAGRAM
MODEL NO.: F48Z91A01 CUST. P/N: 9421V1A HP: 1/2,1/3 ROT.: REV. RPM: 1075/2SPD TYPE: UF FRAME: 48Y VOLTS: 460 PH: 1 AMPS: 1.51,0.92 HZ: 60 INS.: B AMB.: 40° C DUTY: AO CAP.: 7.5 MFD/370 V ENCL: OPEN UL LOGO CSA LOGO THERMALLY PROTECTED	

614131-368

PERFORMANCE CURVE NO.	TORQUE @1075 RPM (25°C)	APPROVED SAMPLE	UL COMPONENT		CSA	
			FILE #	CCN #	FILE #	CLASS #
C32747	43.2 OZ. FT.	0604308B	E46412	PRGY2	LR43341	4211-01

DRAWING REVISION	REVISION BY	DATE
A	HANNA.ZOU	10-09-2017
ECO	HONG.ZHU	10-09-2017

ECO-0132479
ECO DESCRIPTION
NEW MODEL RELEASE

COPYRIGHT REGAL BELOIT AMERICA, INC. ALL RIGHTS RESERVED. PROPRIETARY AND CONFIDENTIAL INFORMATION - THIS DOCUMENT IS THE PROPERTY OF REGAL BELOIT AMERICA, INC. ("OWNER") AND CONTAINS OWNER'S PROPRIETARY INFORMATION. ANY PERSON, CORPORATION OR OTHER FIRM RECEIVING IT IS DEEMED, BY RECEIVING IT, TO AGREE THAT IT, AND/OR ANY PART OF IT, SHALL NOT BE DISCLOSED TO ANY PERSON, CORPORATION OR OTHER ENTITY, DUPLICATED, AND/OR USED, EXCEPT AS EXPRESSLY APPROVED IN WRITING IN ADVANCE BY OWNER. THIS DOCUMENT SHALL BE RETURNED TO OWNER UPON REQUEST. IT MAY BE SUBJECT TO CERTAIN RESTRICTIONS UNDER APPLICABLE EXPORT CONTROL LAWS AND REGULATIONS.

DRAWN BY:	DATE:
HANNA.ZOU	10-09-2017
APPROVED BY:	DATE:
HONG.ZHU	10-09-2017
PROCESS/FINISH	DATE:

REGAL™	Regal Beloit America, Inc.
DESCRIPTION MODEL-RFHP-48FR OUTLINE	
MATERIAL	
THIRD ANGLE PROJECTION	SIZE DWG NO C 9421V1A
	SHEET 1