

GENERAL INFORMATION:

SHAFT RUNOUT: .001 [.025] T.I.R. PER INCH LENGTH OF EXTENSION

END PLAY: .010[.254] TO .063[1.600]

BEARINGS: SLEEVE

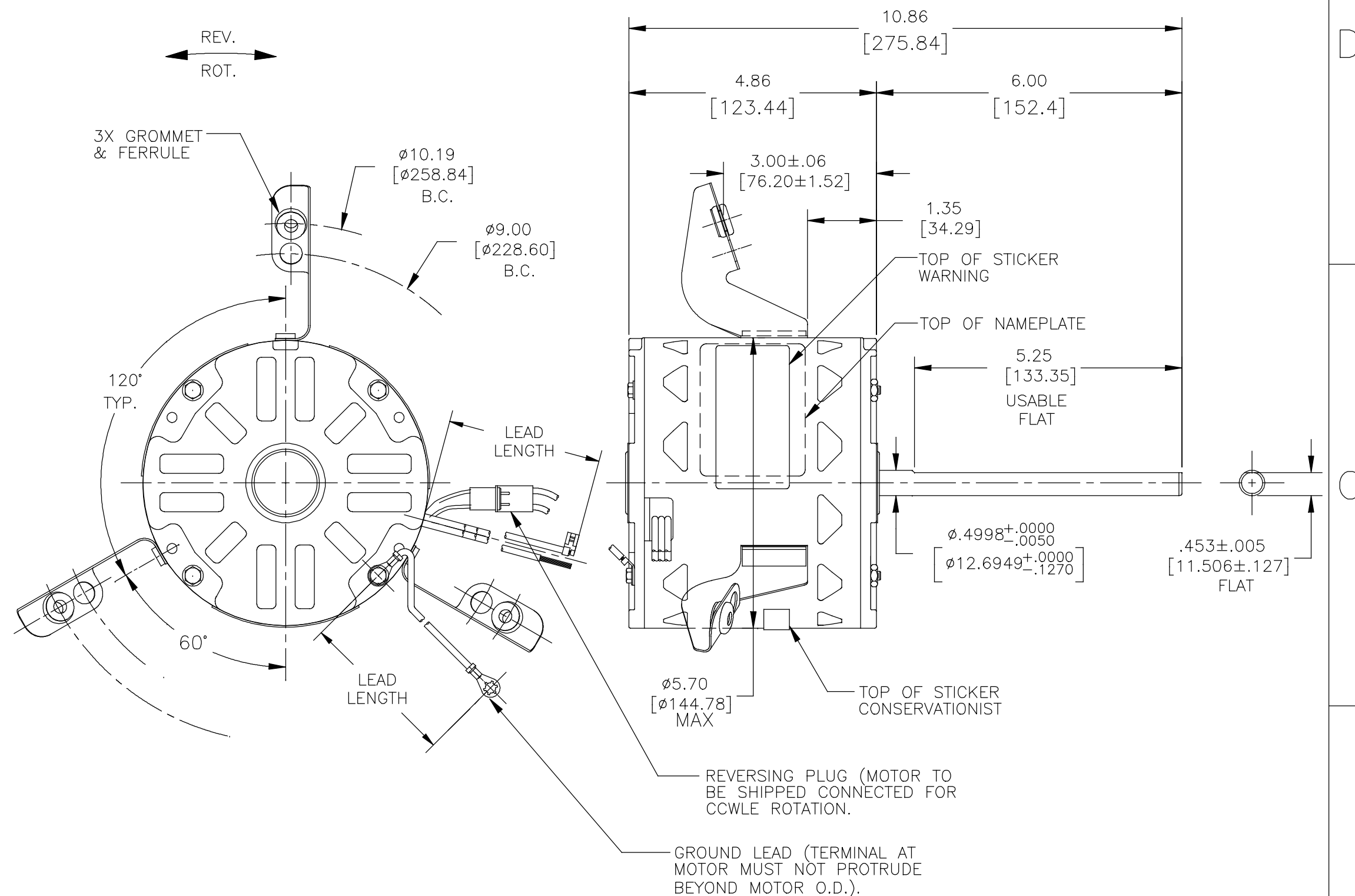
MOUNTING POSITION: HORIZONTAL

ELECTRICAL DATA:

OVERLOAD PROTECTOR: AUTOMATIC RESET (T.I. 7AM 036)

LEADS: NO. 18 GA., .03 [.76] THK., 125°C XLP INSUL.

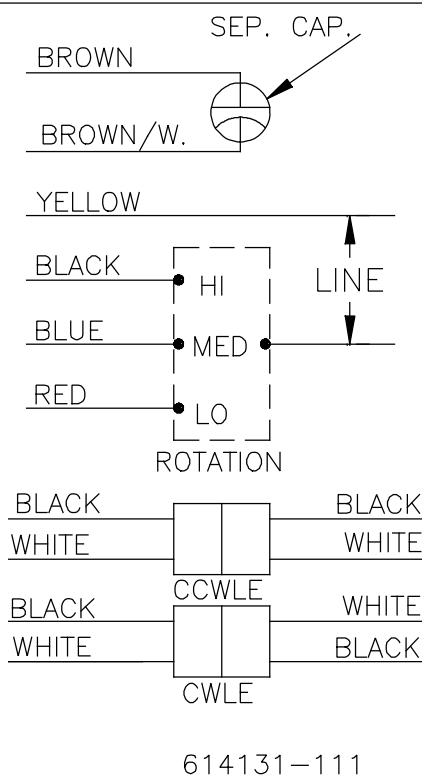
GROUND LEAD: NO. 18 GA., .03 [.76] THK., (GREEN) INSUL.



NAMEPLATE DATA:

MODEL NO.: F48N85A01
 CUST. P/N: FM1056
 HP: 1/2
 ROT.: REVERSIBLE
 RPM: 1075/3 SPD
 TYPE: UF
 FRAME: 48Y
 VOLTS: 208-230
 PH: 1
 AMPS: 3.3
 HZ: 60
 INS.: B
 AMB.: 50°C
 DUTY: AIR OVER
 CAP.: 10 MFD/370V
 ENCL: OPEN
 UL LOGO
 CSA LOGO
 THERMALLY PROTECTED

EXTERNAL CONNECTION DIAGRAM



LEAD DATA

COLOR	LENGTH	TERMINAL OR STRIP LENGTH
RED	26/28 [600/711]	.50 [12.70] SKIN
BLUE	26/28 [600/711]	.50 [12.70] SKIN
BLACK	26/28 [600/711]	.50 [12.70] SKIN
YELLOW	26/28 [600/711]	.50 [12.70] SKIN
BROWN	26/28 [600/711]	.25 [6.35] FLAG
BROWN/WHITE	26/28 [600/711]	.25 [6.35] FLAG
BLACK/WHITE	3/5 [76/127]	REPEVING PLUG
GREEN(GRD)	12/13 [305/330]	#10 EYELET

REGAL-BELOIT CORPORATION (RBC) PROVIDES TECHNICAL ASSISTANCE TO OUR CUSTOMERS IN SEVERAL AREAS. SINCE RBC DOES NOT RECEIVE ALL DATA CONCERNING THE USE AND APPLICATION OF THE MOTOR, THE SUITABILITY OF THE MOTOR FOR THE APPLICATION MUST BE DETERMINED BY THE CUSTOMER.

DIMENSIONS WITHOUT TOLERANCES ARE FOR REFERENCE ONLY.

ENCLOSURE

END FRAME - LE	OPEN
MAIN FRAME - LE	OPEN
END FRAME - OLE	OPEN
MAIN FRAME - OLE	OPEN

CUSTOMER	DISTRIBUTION SERVICE
----------	----------------------

PERFORMANCE CURVE NO.	TORQUE @ 1075 RPM (25°C)	APPROVED SAMPLE	UL COMPONENT		CSA	
			FILE #	CCN #	FILE #	CLASS #
C31883	51.3 OZ. FT.	99AC395A	E46412	PRGY2	LR43341	260-Ø-0

DRAWING REVISION B	REVISION BY JASMINE.ZHU	DATE 08-10-2017
ECO	APPROVED BY DEXIAN.LI	DATE 08-10-2017
ECO-0128689		
ECO DESCRIPTION ONLY UPDATE THE DRAWING		

COPYRIGHT REGAL-BELOIT AMERICA, INC. ALL RIGHTS RESERVED. PROPRIETARY AND CONFIDENTIAL INFORMATION - THIS DOCUMENT IS THE PROPERTY OF REGAL-BELOIT AMERICA, INC. (OWNER) AND CONTAINS OWNER'S PROPRIETARY INFORMATION. ANY PERSON, CORPORATION OR OTHER FIRM RECEIVING IT IS DEEMED, BY RECEIVING IT, TO AGREE THAT IT, AND/OR ANY PART OF IT, SHALL NOT BE DISCLOSED TO ANY PERSON, CORPORATION OR OTHER ENTITY, DUPLICATED, AND/OR USED, EXCEPT AS EXPRESSLY APPROVED IN WRITING IN ADVANCE BY OWNER. THIS DOCUMENT SHALL BE RETURNED TO OWNER UPON REQUEST. IT MAY BE SUBJECT TO CERTAIN RESTRICTIONS UNDER APPLICABLE EXPORT CONTROL LAWS AND REGULATIONS.

DRAWN BY: J. RUPERT
 DATE: 03-27-1995
 APPROVED BY: T. RILEY
 DATE: 04-20-1995
 PROCESS/FINISH: -

REGAL™ Regal Beloit America, Inc.

DESCRIPTION MODEL-RFHP-48FR OUTLINE

MATERIAL -
 SIZE DWG NO. C FM1056
 SHEET 1

D

C

B

A

D

C

B

A