

4

3

2

1

GENERAL INFORMATION:

SHAFT RUNOUT: .001 [.025] T.I.R. PER INCH LENGTH OF EXTENSION

END PLAY: .010 TO .063 [.254 TO 1.600]

BEARINGS: SLEEVE

MOUNTING POSITION: HORIZONTAL

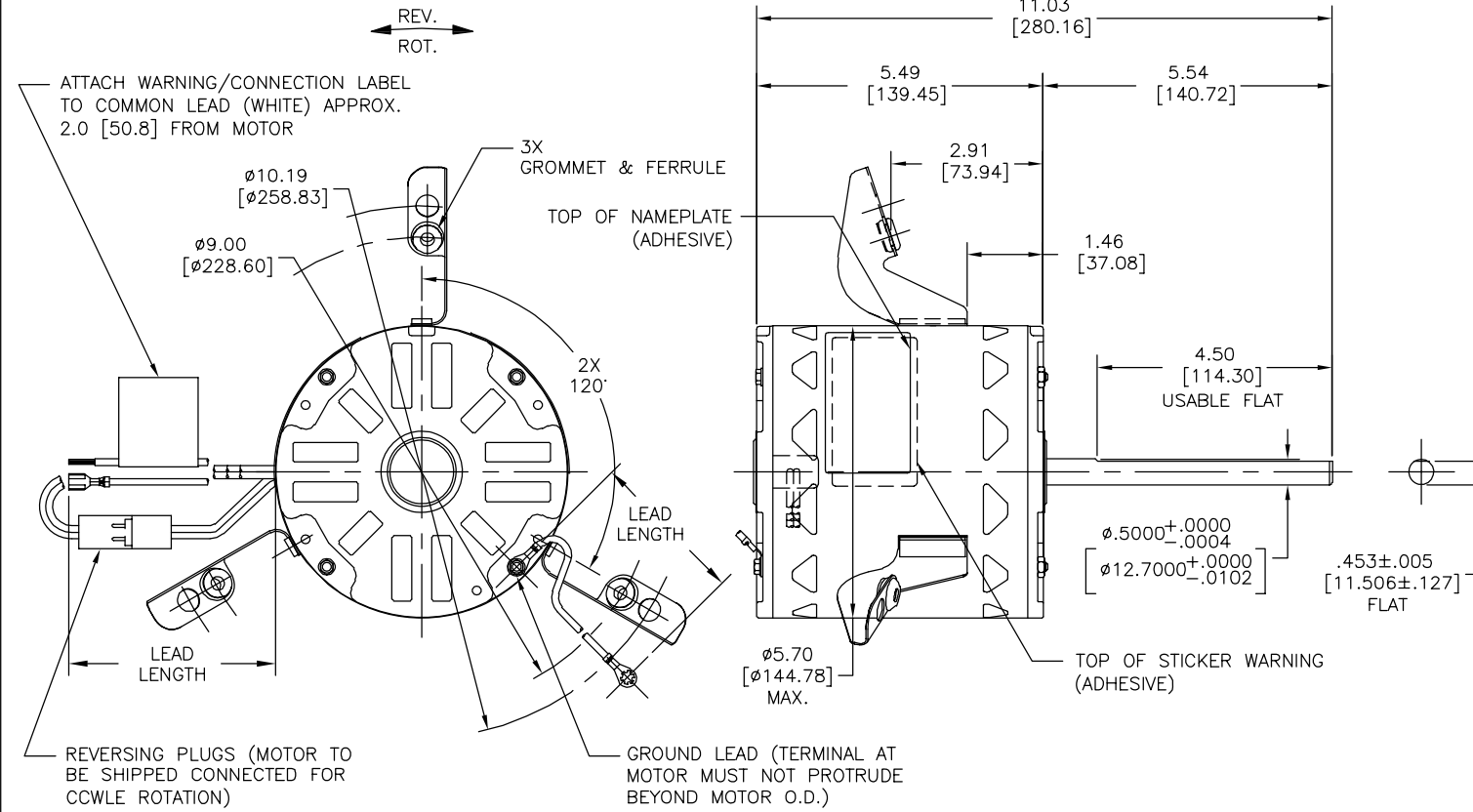
ELECTRICAL DATA:

OVERLOAD PROTECTOR: AUTOMATIC RESET (T.I. 7AM 036)

LINE LEADS: NO. 18 GA., .06 [1.52] THK. PVC 105°C INSUL.

REVERSING LEADS: NO. 18 GA., .03 [.76] THK. XLP 125°C INSUL.

GROUND LEAD: NO. 18 GA., .03 [.76] THK. (GREEN/YELLOW) INSUL.



NAMEPLATE DATA:

MODEL NO.: F48Z12A01

CUST. P/N: 754A

HP: 1/2, 1/3, 1/4, 1/6

ROT.: REVERSIBLE

RPM: 1075/4 SPD.

TYPE: UF

FRAME: 48

VOLTS: 115

PH: 1

AMPS: 8.9, 5.9, 4.2, 3.2

HZ: 60

INS.: B

AMB.: 40° C

DUTY: AIR OVER

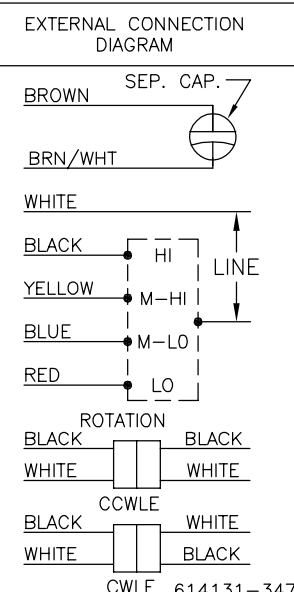
CAP.: 7.5 MFD/370 V

ENCL.: OPEN

UL LOGO

CSA LOGO

THERMALLY PROTECTED



GREEN/YELLOW (GROUND)	11.0/13.0 [279.4/330.2]	#10 EYELET
BLACK/WHITE	3.0/5.0 [76.2/127.0]	REVERSING PLUGS
BROWN	24.0/26.0 [609.6/660.4]	.25 [6.35] FEMALE SPADE
BROWN/WHITE	24.0/26.0 [609.6/660.4]	.25 [6.35] FEMALE SPADE
RED	24.0/26.0 [609.6/660.4]	.50 [12.70] SKIN
BLUE	24.0/26.0 [609.6/660.4]	.50 [12.70] SKIN
YELLOW	24.0/26.0 [609.6/660.4]	.50 [12.70] SKIN
BLACK	24.0/26.0 [609.6/660.4]	.50 [12.70] SKIN
WHITE	24.0/26.0 [609.6/660.4]	.50 [12.70] SKIN
COLOR	LENGTH	TERMINAL OR STRIP LENGTH

REGAL-BELOIT CORPORATION (RBC) PROVIDES TECHNICAL ASSISTANCE TO OUR CUSTOMERS IN SEVERAL AREAS. SINCE RBC DOES NOT RECEIVE ALL DATA CONCERNING THE USE AND APPLICATION OF THE MOTOR, THE SUITABILITY OF THE MOTOR FOR THE APPLICATION MUST BE DETERMINED BY THE CUSTOMER.

DIMENSIONS WITHOUT TOLERANCES ARE FOR REFERENCE ONLY.

MAIN FRAME - OLE	OPEN
END FRAME - OLE	OPEN
MAIN FRAME - LE	OPEN
END FRAME - LE	OPEN

CUSTOMER	DISTRIBUTION SERVICE
----------	----------------------

PERFORMANCE CURVE NO.	TORQUE @ 1075 RPM (25°C)	APPROVED SAMPLE	UL COMPONENT	CSA
C32677	58.2 OZ. FT.	0600522B	E46412 PRGY2	LR43341 4211-01

LEAD DATA

DRAWING REVISION	REVISION BY	DATE
A	G.ZHAO	07-18-2014
ECD	APPROVED BY	DATE
0054026	C.ZHOU	07-18-2014

ECD DESCRIPTION
NEW MODEL RELEASE

COPYRIGHT REGAL-BELOIT AMERICA, INC. ALL RIGHTS RESERVED. PROPRIETARY AND CONFIDENTIAL INFORMATION - THIS DOCUMENT IS THE PROPERTY OF REGAL-BELOIT AMERICA, INC. (OWNER) AND CONTAINS OWNER'S PROPRIETARY INFORMATION. ANY PERSON, CORPORATION OR OTHER FIRM RECEIVING IT IS DEEMED, BY RECEIVING IT, TO AGREE THAT IT, AND/OR ANY PART OF IT, SHALL NOT BE DISCLOSED TO ANY PERSON, CORPORATION OR OTHER ENTITY, DUPLICATED, AND/OR USED, EXCEPT AS EXPRESSLY APPROVED IN WRITING IN ADVANCE BY OWNER. THIS DOCUMENT SHALL BE RETURNED TO OWNER UPON REQUEST. IT MAY BE SUBJECT TO CERTAIN RESTRICTIONS UNDER APPLICABLE EXPORT CONTROL LAWS AND REGULATIONS.

DRAWN BY: G.ZHAO	DATE: 07-18-2014	Regal Beloit America, Inc.
APPROVED BY: C.ZHOU	DATE: 07-18-2014	
REFERENCE	MATERIAL	DESCRIPTION: MODEL-RFHP-48FR OUTLINE
THIRD ANGLE PROJECTION	SIZE DWG NO: 754A	PROCESS/FINISH
		SHEET 1

4

3

2

1